



ASSEMBLY INSTRUCTIONS
COASTER FINE FURNITURE



Fine Furniture for every stage of life

204352
Nighstand

ITEM: **204352**



ASSEMBLY INSTRUCTIONS

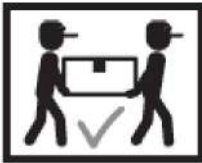
ASSEMBLY TIPS:

- 1 . Remove hardware from box and sort by size.
- 2 . Please check to see that all hardware and parts are present prior to start of assembly.
- 3 . Please follow attached instructions in the same sequence as numbered to assure fast & easy assembly.



WARNING !

- 1 . Don't attempt to repair or modify parts that are broken or defective. Please contact the store immediately.
- 2 . This product is for home use only and not intended for commercial establishment.

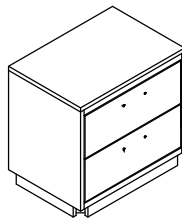


ASSEMBLY TIME

20 MINUTES

PARTS IDENTIFICATION

A NIGHTSTAND



1PC

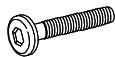
B LEG



4PCS

HARDWARE IDENTIFICATION

1 BOLT
(M6 x 60mm - BLK)



4PCS

3 FLAT WASHER
(1/4" x 20mm - BLK)



4PCS

2 LOCK WASHER
(1/4" - BLK)



4PCS

4 ALLEN WRENCH
(M4 x 65mm - BLK)



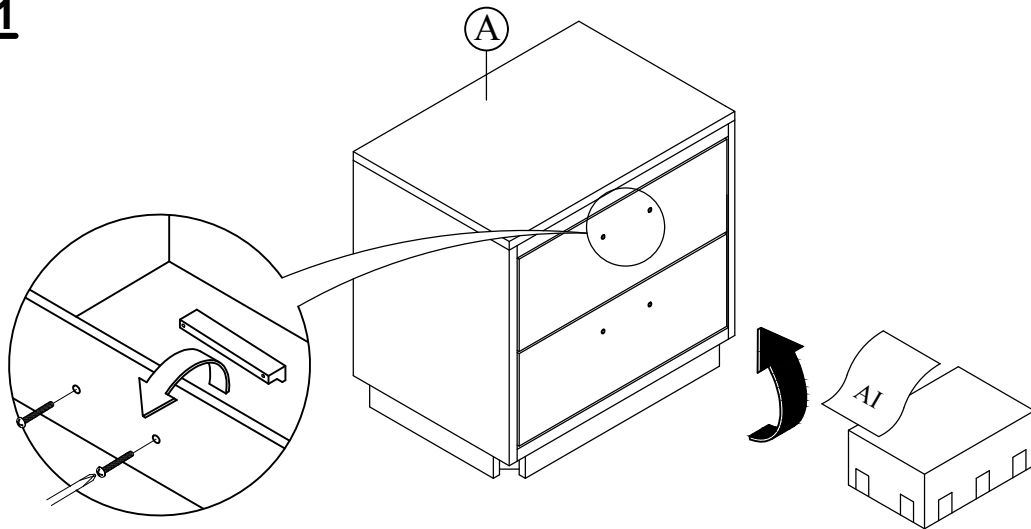
1PC

NOTE:

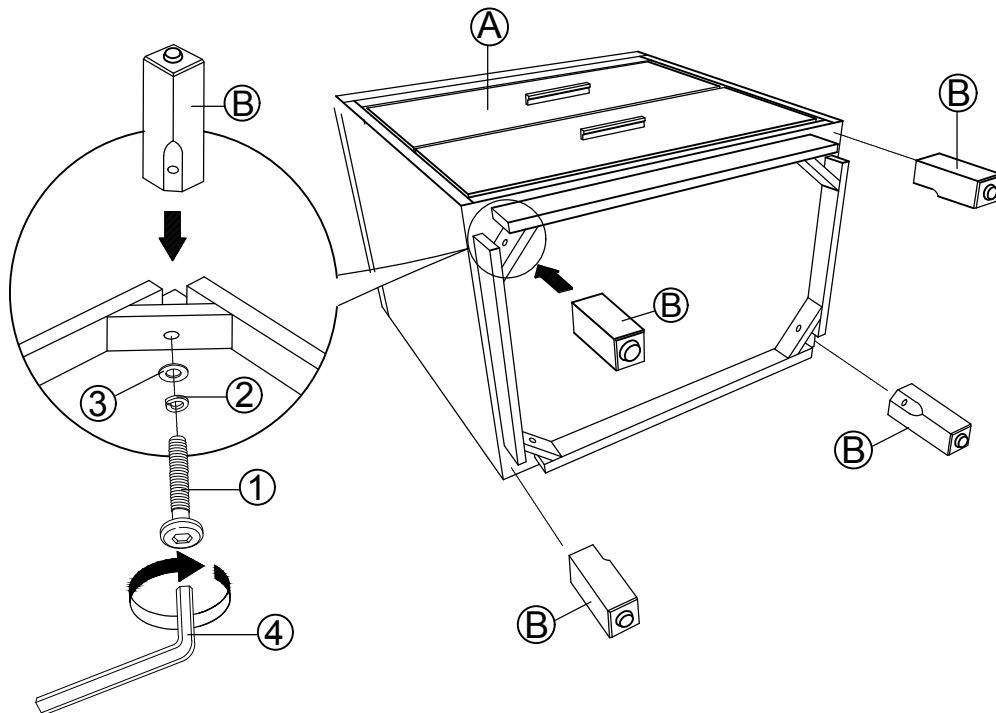
Philips head screw driver in the assembly process ; however, manufacturer does not provide the item

ITEM: **204352**
ASSEMBLY INSTRUCTIONS

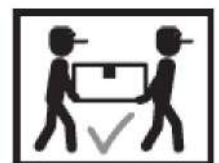
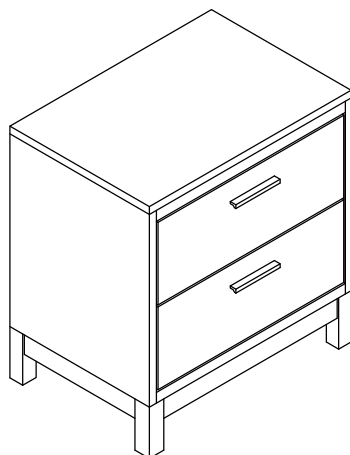
STEP 1



STEP 2



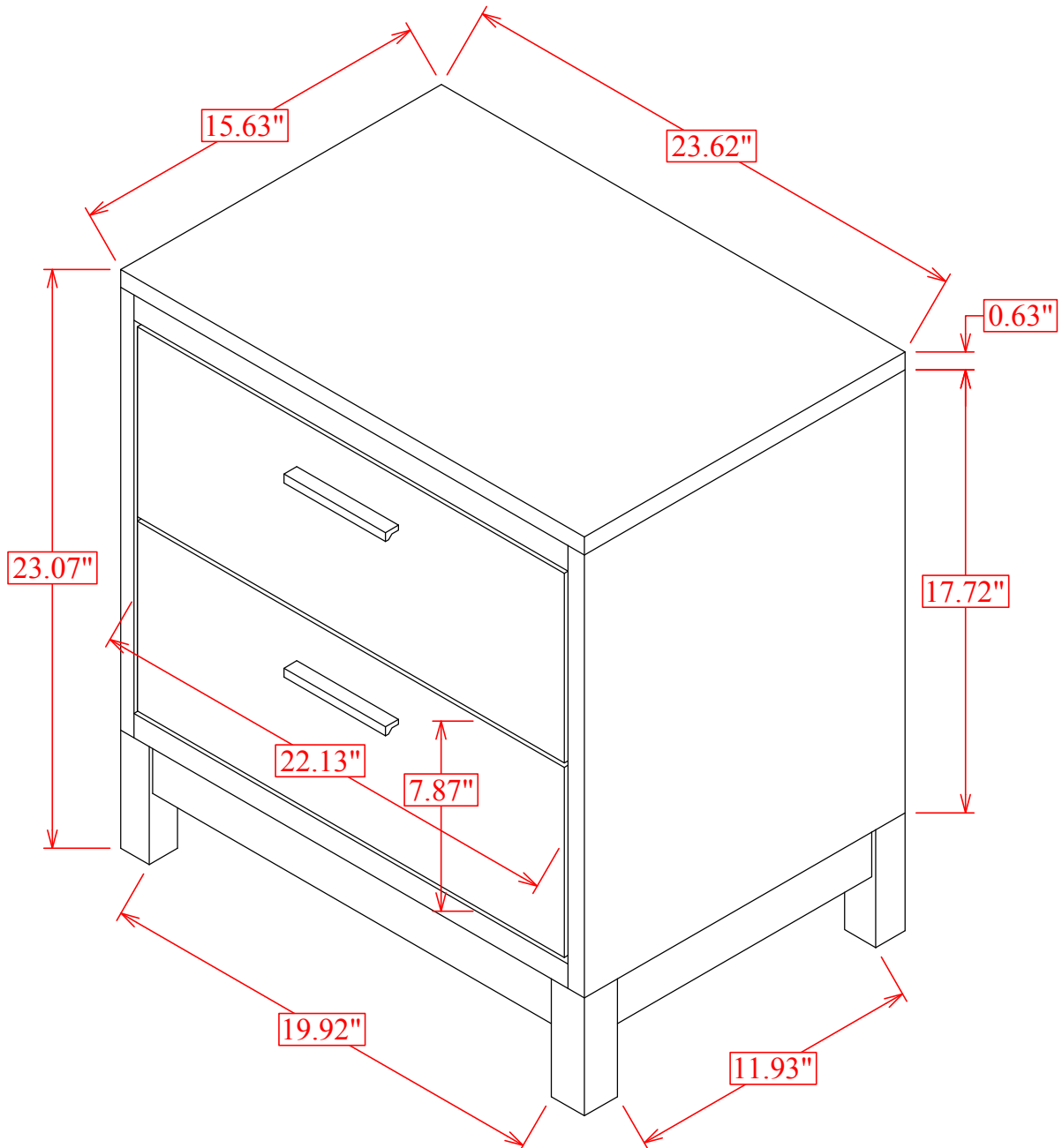
STEP 3
COMPLETE



ITEM: **204352**



INNER SIZE OF DRAWER : 5.28" X 12.68" X 19.29"



Note: Dimension tolerance $\pm 5\%$