



ASSEMBLY INSTRUCTIONS COASTER FINE FURNITURE



Fine Furniture for every stage of life

204351Q(B1&B2) Queen Bed

REVISION 0 : 02/25/2016
REVISION 1 : 01/09/2020

ITEM: 204351Q(B1&B2)



ASSEMBLY INSTRUCTIONS

ASSEMBLY TIPS:

- 1 . Remove hardware from box and sort by size.
- 2 . Please check to see that all hardware and parts are present prior to start of assembly.
- 3 . Please follow attached instructions in the same sequence as numbered to assure fast & easy assembly.



WARNING !

- 1 . Don't attempt to repair or modify parts that are broken or defective. Please contact the store immediately.
- 2 . This product is for home use only and not intended for commercial establishment.

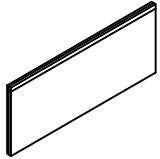
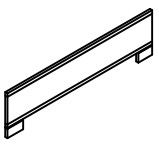
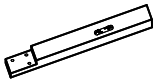
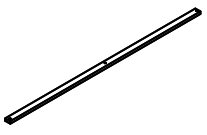
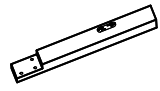
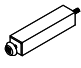


ASSEMBLY TIME

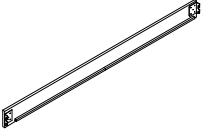
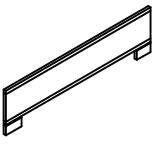
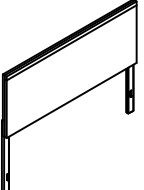
20 MINUTES

PARTS IDENTIFICATION

B1 (BOX 1)

A	HEADBOARD PANEL		1PC	D	FOOTBOARD		1PC
B	RIGHT HEADBOARD LEG		1PC	E	BED SLAT		4PCS
C	LEFT HEADBOARD LEG		1PC	F	BED SLAT SUPPORT WITH LEVELER		4PCS

B2 (BOX 2)

G	BED RAIL		2PCS	D	204351Q (B1) (FROM BOX 1) FOOTBOARD		1PC
HB	204351Q (B1) (FROM BOX 1) HEADBOARD COMPLETE		1PC				

ITEM: 204351Q(B1&B2)

ASSEMBLY INSTRUCTIONS



ASSEMBLY TIPS:

- 1 . Remove hardware from box and sort by size.
- 2 . Please check to see that all hardware and parts are present prior to start of assembly.
- 3 . Please follow attached instructions in the same sequence as numbered to assure fast & easy assembly.

WARNING !



- 1 . Don't attempt to repair or modify parts that are broken or defective. Please contact the store immediately.
- 2 . This product is for home use only and not intended for commercial establishment.

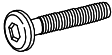







ASSEMBLY TIME

20 MINUTES

HARDWARE IDENTIFICATION

Z-B1 (BOX1) - HARDWARE PACK IS LOCATED IN 204351Q (B1)

1	BOLT (M6 x 30mm - BLK)		6PCS	4	FLAT HEAD SCREW (M4 x 32mm - RBW)		8PCS
2	LOCK WASHER (1/4" - BLK)		6PCS	5	SMALL ALLEN WRENCH (M4 x 65mm - BLK)		1PC
3	FLAT WASHER (1/4" x13mm - BLK)		6PCS	6	BIG ALLEN WRENCH (M5 x 65mm - BLK)		1PC

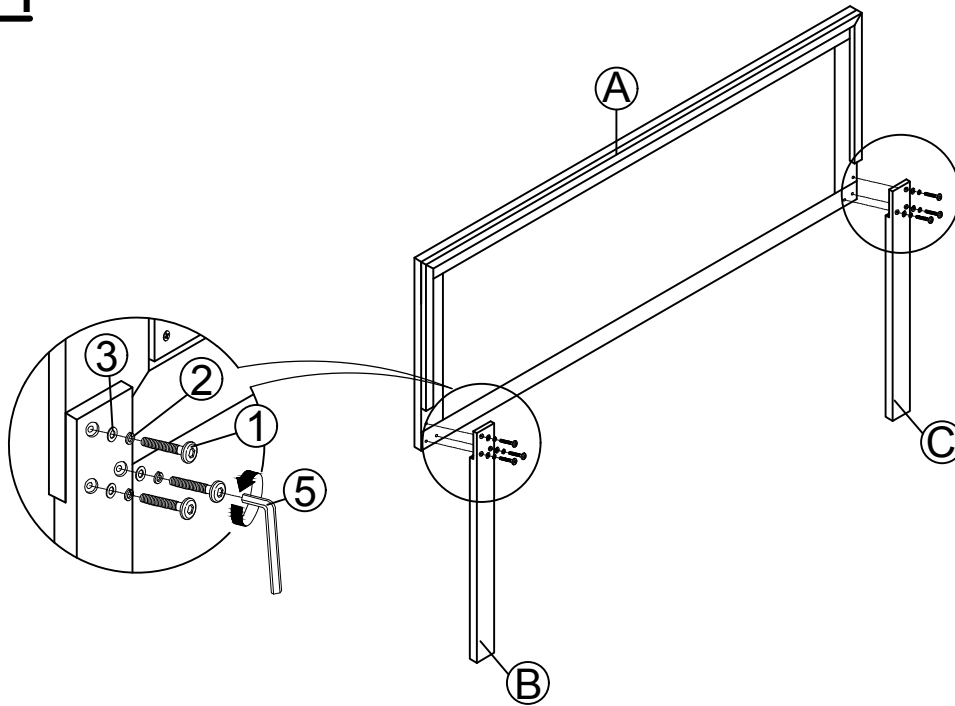
NOTE:

Philips head screw driver in the assembly process; however, manufacturer does not provide the item

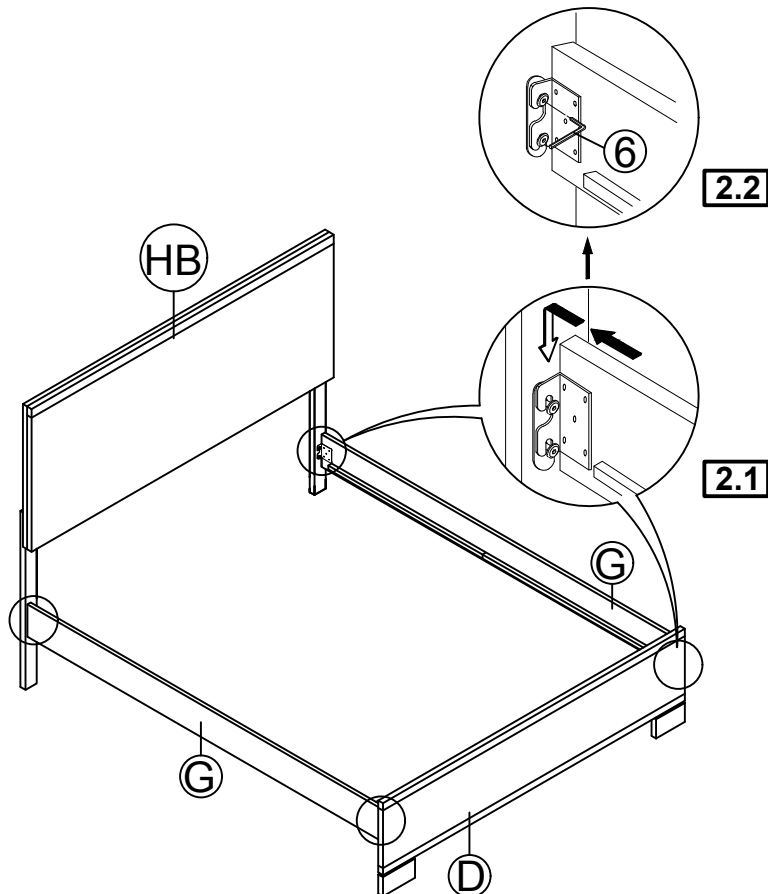
ITEM: **204351Q(B1&B2)**
ASSEMBLY INSTRUCTIONS



STEP 1



STEP 2

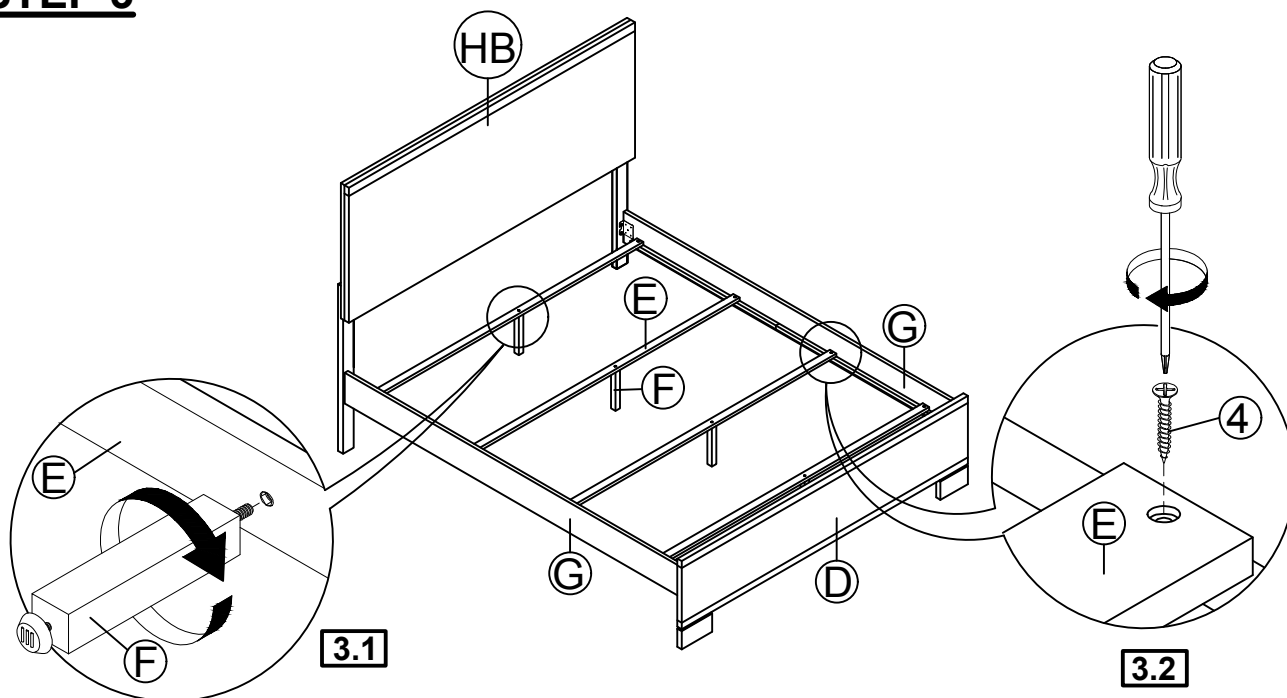


ITEM: 204351Q (B1&B2)

ASSEMBLY INSTRUCTIONS

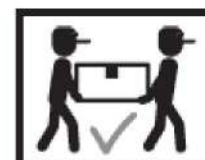
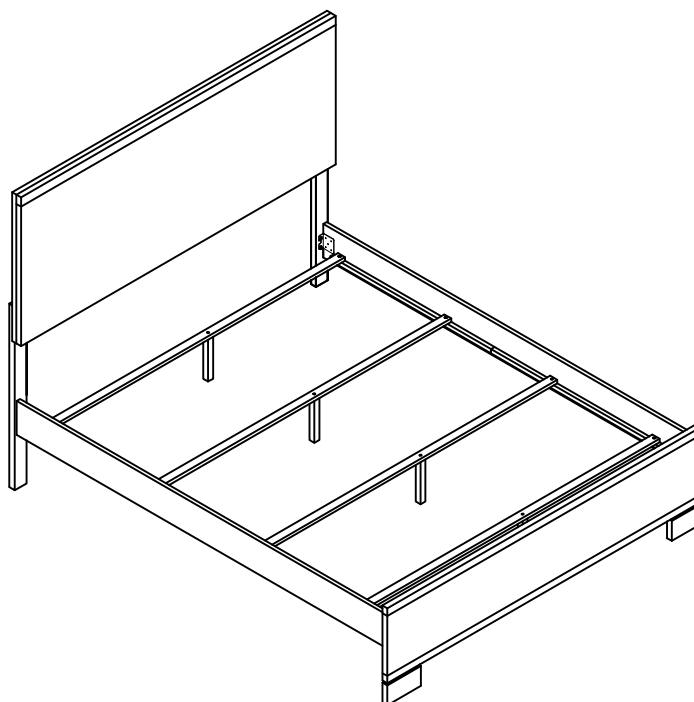


STEP 3



STEP 4

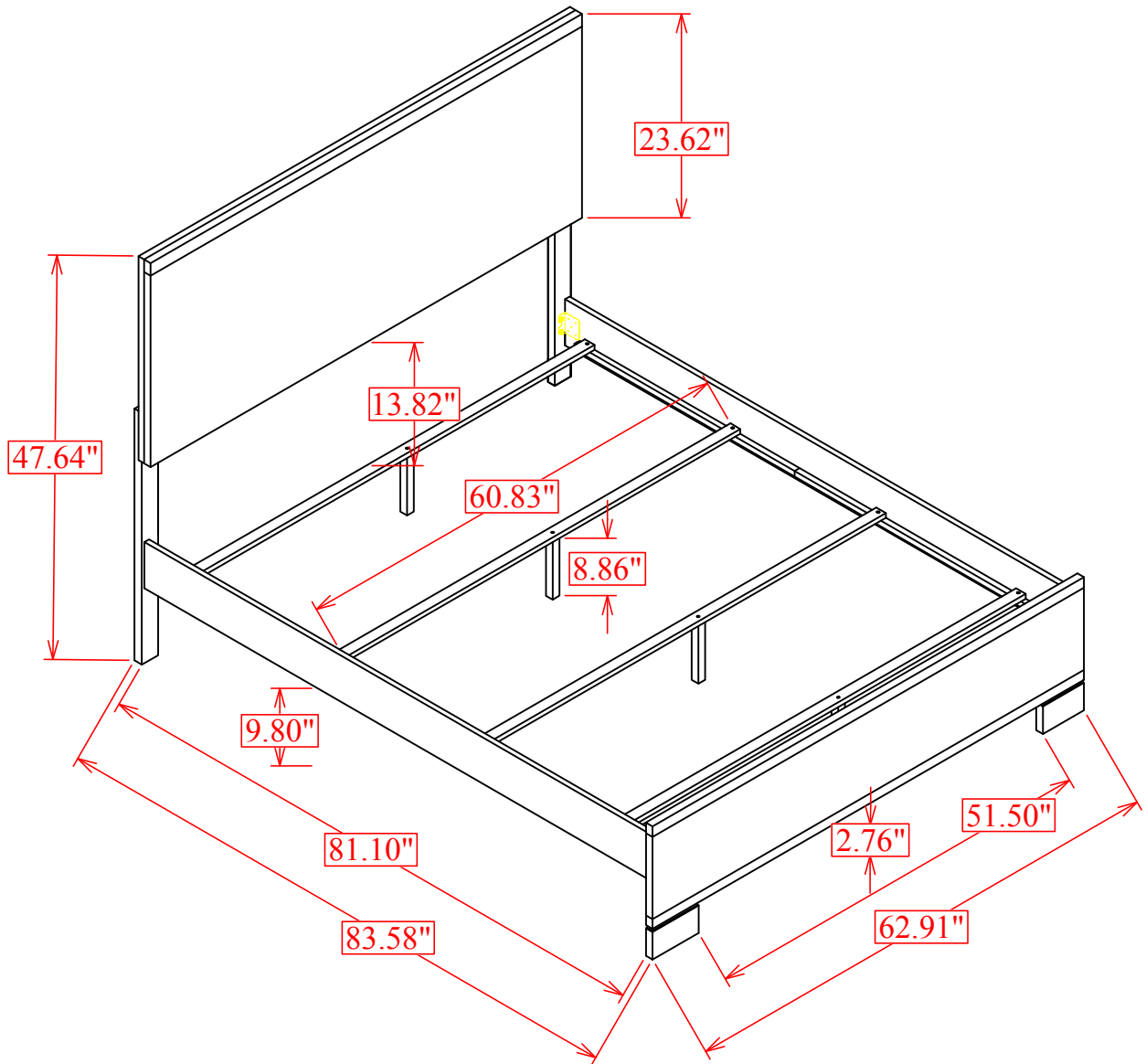
COMPLETE



ITEM: **204351Q(B1&B2)**



INNER SIZE : 61.00" X 81.10"



Note: Dimension tolerance $\pm 5\%$