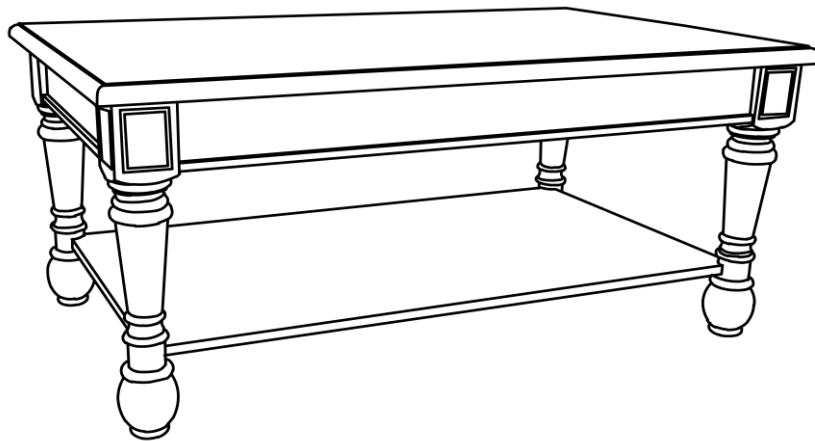


ASSEMBLY INSTRUCTIONS
COASTER FINE FURNITURE



Fine Furniture for every stage of life

704418
Coffee Table

ITEM: 704418



ASSEMBLY INSTRUCTIONS

ASSEMBLY TIPS:

1. Remove hardware from box and sort by size.
2. Please check to see that all hardware and parts are present prior to start of assembly.
3. Please follow attached instructions in the same sequence as numbered to assure fast & easy assembly.



WARNING!

1. Don't attempt to repair or modify parts that are broken or defective. Please contact the store immediately.
2. This product is for home use only and not intended for commercial establishments.



ASSEMBLY TIME

25 MINUTES

PARTS IDENTIFICATION

A	TOP		1PC
B	LEG		4PCS
C	SHELF		1PC

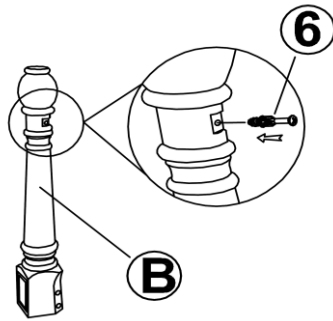
HARDWARE IDENTIFICATION

1	ALLEN WRENCH (M4 - BLK)		1PC
2	BOLT (M6 x 50mm - RBW)		8PCS
3	LOCK WASHER (M6 - RBW)		8PCS
4	FLAT WASHER (M6 - RBW)		8PCS
5	CAM NUT (15/15+16 Z1 BRIGH - SR)		4PCS
6	CAM BOLT (24MM - SR)		4PCS

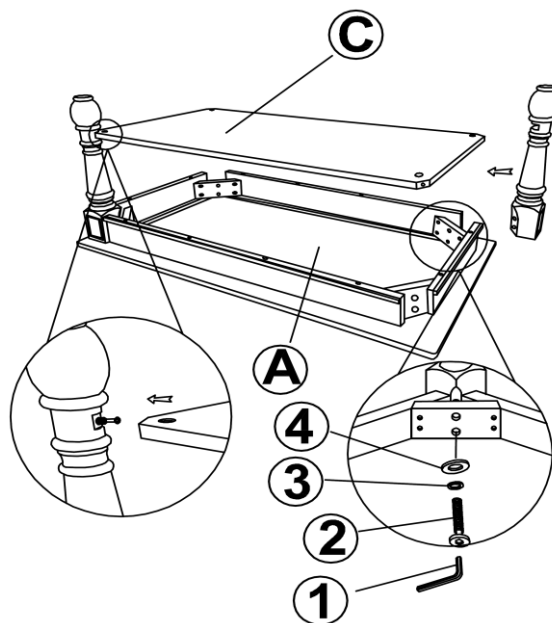
ITEM: **704418**

ASSEMBLY INSTRUCTIONS

STEP 1

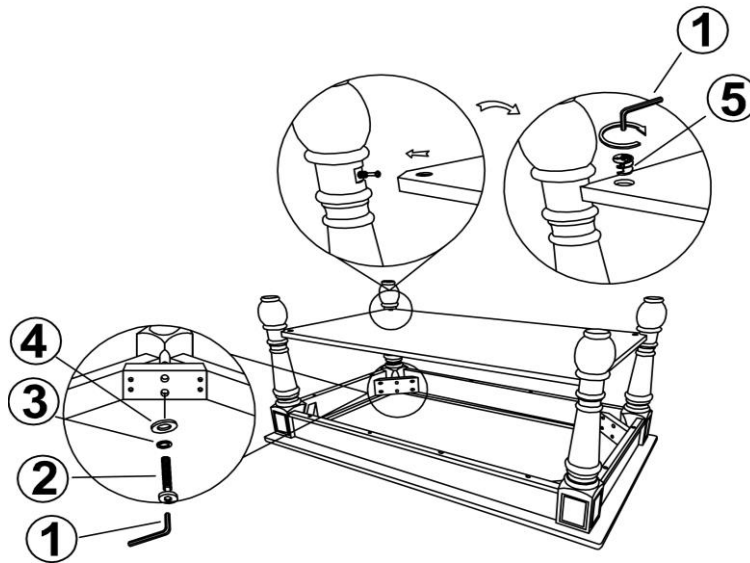


STEP 2

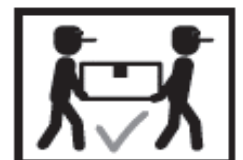
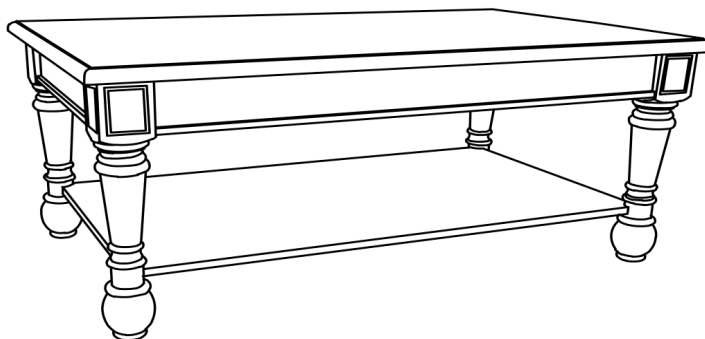


ITEM: **704418**

ASSEMBLY INSTRUCTIONS
STEP 3

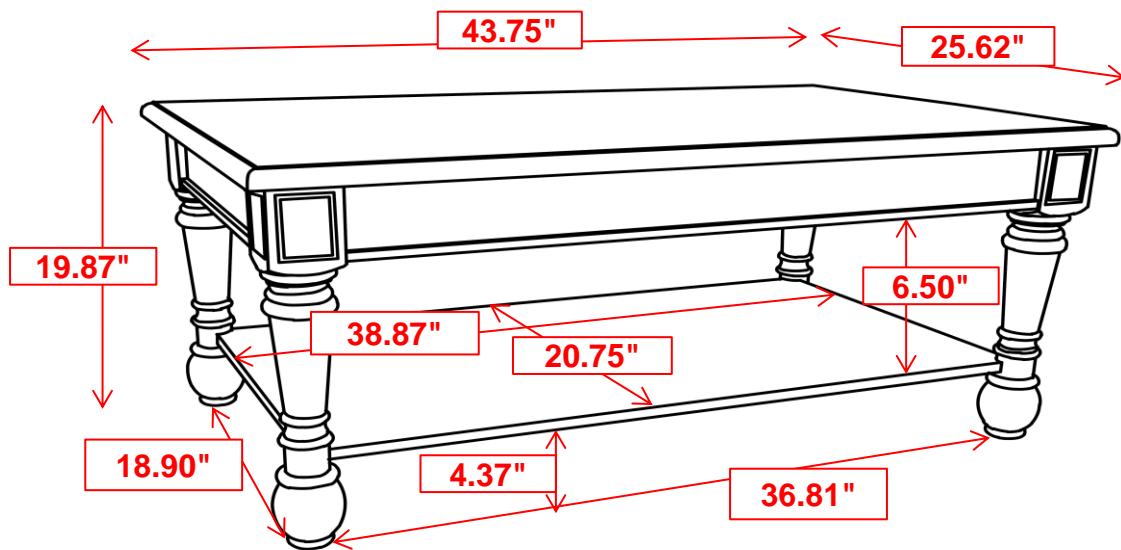


STEP 4
COMPLETE



ITEM: 704418

COASTER
FINE FURNITURE



Note : Dimension tolerance $\pm 5\%$