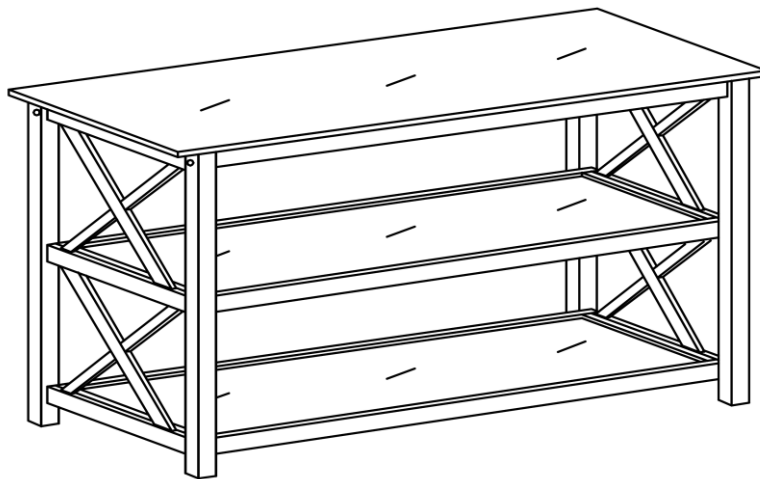


**ASSEMBLY INSTRUCTIONS**  
**COASTER FINE FURNITURE**



*Fine Furniture for every stage of life*

**5910**  
**Sofa Table**

REVISION 0 : 05/11/2004  
REVISION 1 : 09/26/2011  
REVISION 2 : 12/16/2011  
REVISION 3 : 08/13/2018  
REVISION 4 : 11/14/2019

ITEM: **5910**

## ASSEMBLY INSTRUCTIONS

### ASSEMBLY TIPS:

1. Remove hardware from box and sort by size.
2. Please check to see that all hardware and parts are present prior to start of assembly.
3. Please follow attached instructions in the same sequence as numbered to assure fast & easy assembly.



### WARNING!

1. Don't attempt to repair or modify parts that are broken or defective. Please contact the store immediately.
2. This product is for home use only and not intended for commercial establishments.



ASSEMBLY TIME

20 MINUTES

## PARTS IDENTIFICATION

A	LEG FRAME		2PCS
B	SHELF		2SETS
C	APRON		2PCS
D	TOP PANEL		1PC

## HARDWARE IDENTIFICATION

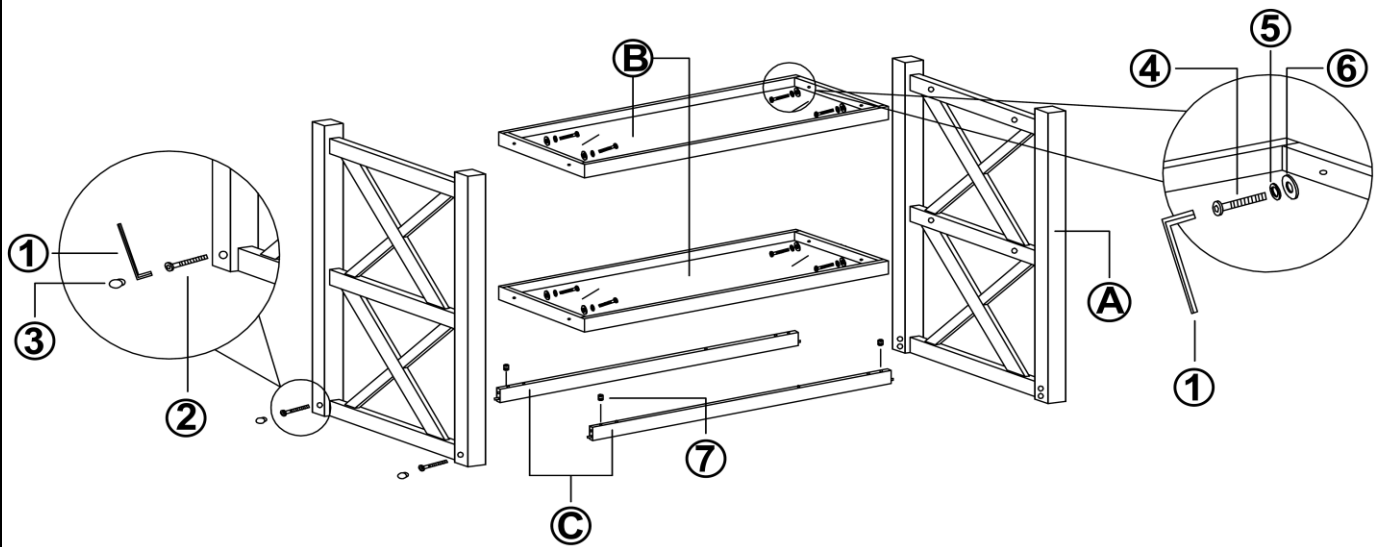
1	ALLEN WRENCH (M4 - BLK)		1PC
2	LONG BOLT (M6 x 60mm - RBW)		4PCS
3	WOOD PLUG (13MM)		4PCS
4	SHORT BOLT (M6 x 35mm - BLK)		8PCS
5	LOCK WASHER (M4 - RBW)		8PCS
6	FLAT WASHER (M4 - RBW)		8PCS
7	BARREL NUT (M4 - SR)		4PCS
8	FLAT HEAD SCREW (M4 x 25mm - RBW)		6PCS

ITEM: **5910**

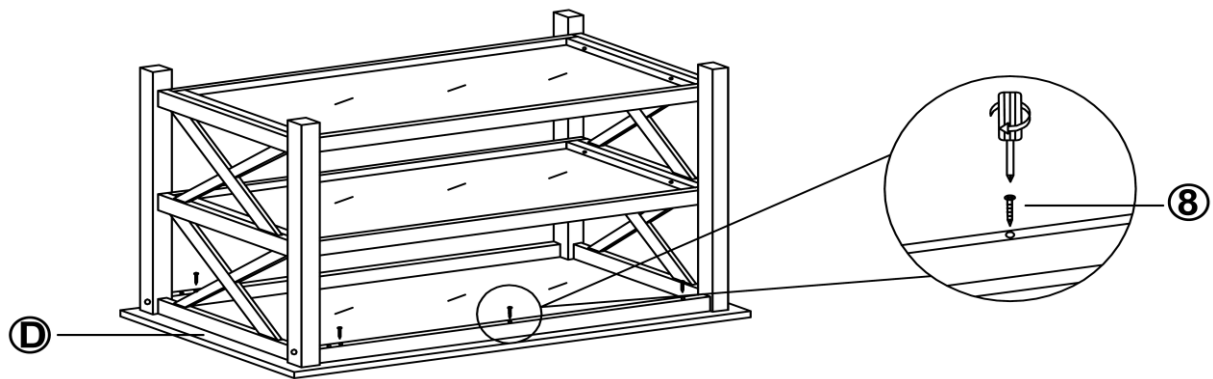


**ASSEMBLY INSTRUCTIONS**

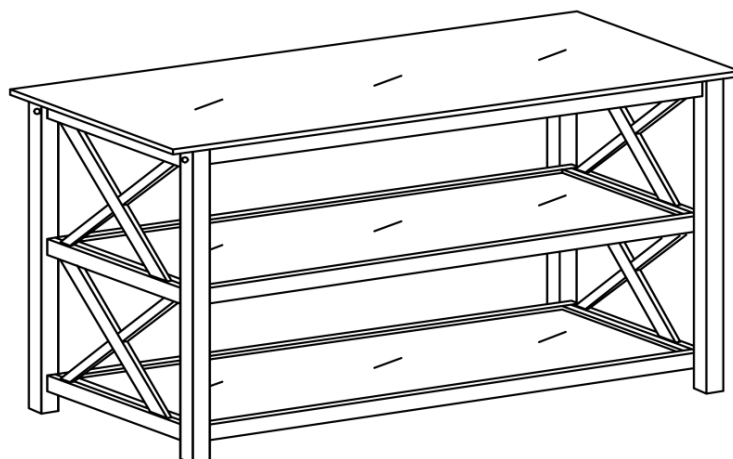
**STEP 1**



**STEP 2**

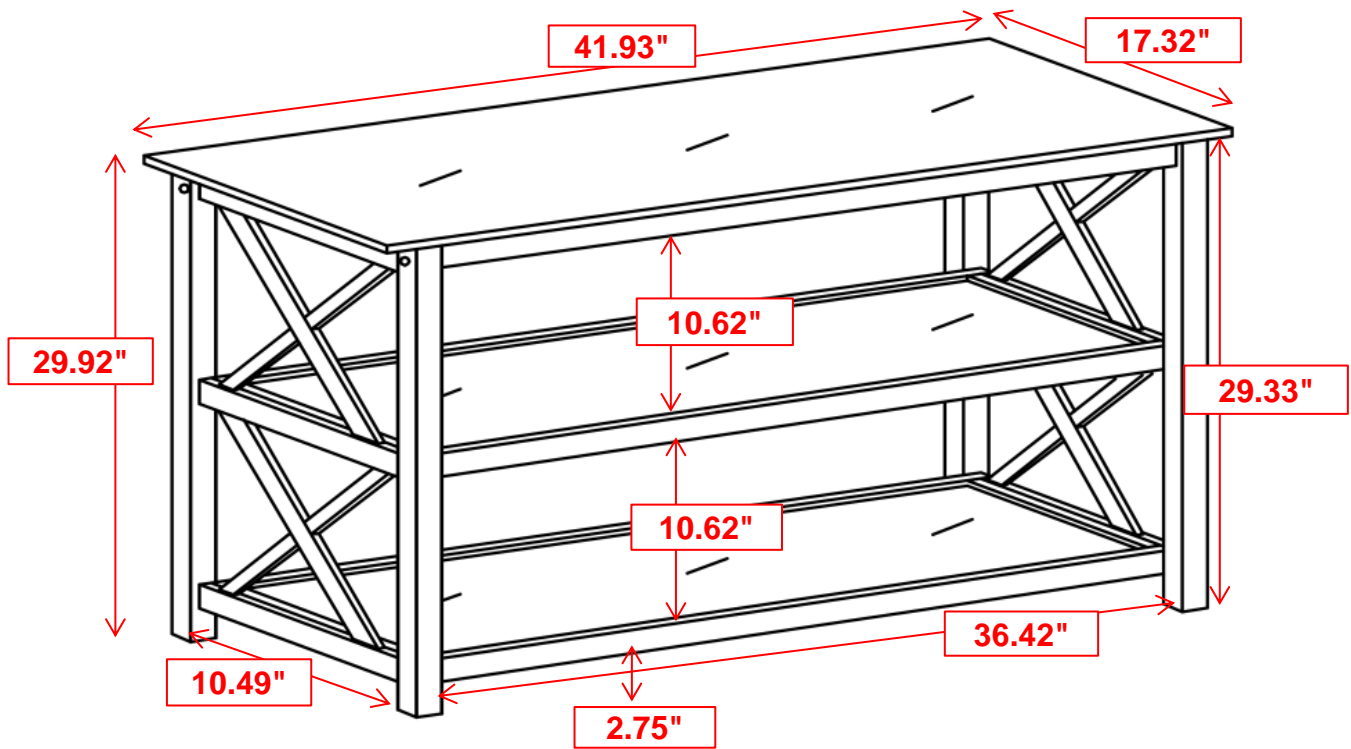


**STEP 3**  
**COMPLETE**



ITEM:5910

**COASTER**  
FINE FURNITURE



**Note :** Dimension tolerance  $\pm 5\%$