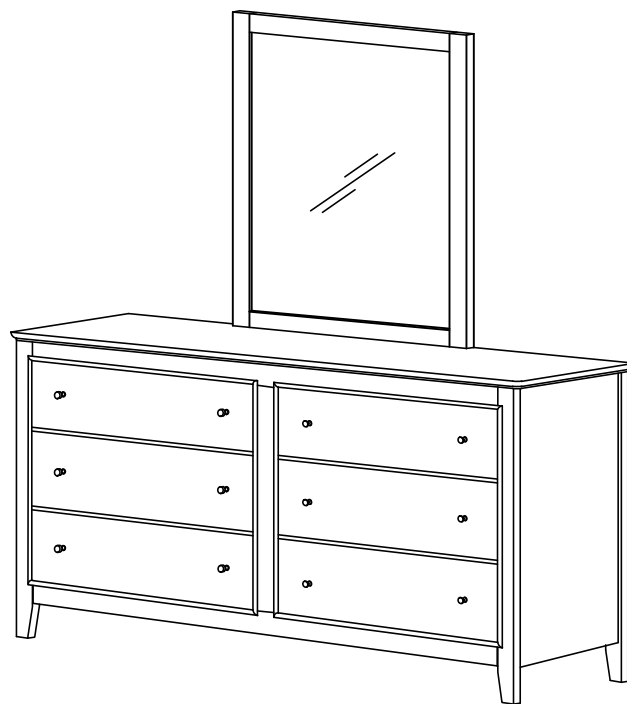


ASSEMBLY INSTRUCTIONS COASTER FINE FURNITURE



Fine Furniture for every stage of life

400234
Mirror

REVISION 0 : 06/10/2008
REVISION 1 : 01/18/2013
REVISION 2 : 08/22/2016
REVISION 3 : 08/14/2018
REVISION 4 : 10/29/2019

ITEM:400234



ASSEMBLY INSTRUCTIONS

ASSEMBLY TIPS:

1. Remove hardware from box and sort by size.
2. Please check to see that all hardware and parts are present prior to start of assembly.
3. Please follow attached instructions in the same sequence as numbered to assure fast & easy assembly.



WARNING!

1. Don't attempt to repair or modify parts that are broken or defective. Please contact the store immediately.
2. This product is for home use only and not intended for commercial establishments.

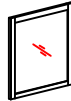


ASSEMBLY TIME

10 MINUTES

PARTS IDENTIFICATION

A MIRROR



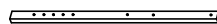
1PC

B DRESSER
*FROM BOX ITEM
#400233



1PC

C MIRROR SUPPORT
(PACKED WITH DRESSER)



2PCS

HARDWARE IDENTIFICATION

1 FLAT HEAD SCREW
(M4 x 32mm - RBW)



8PCS

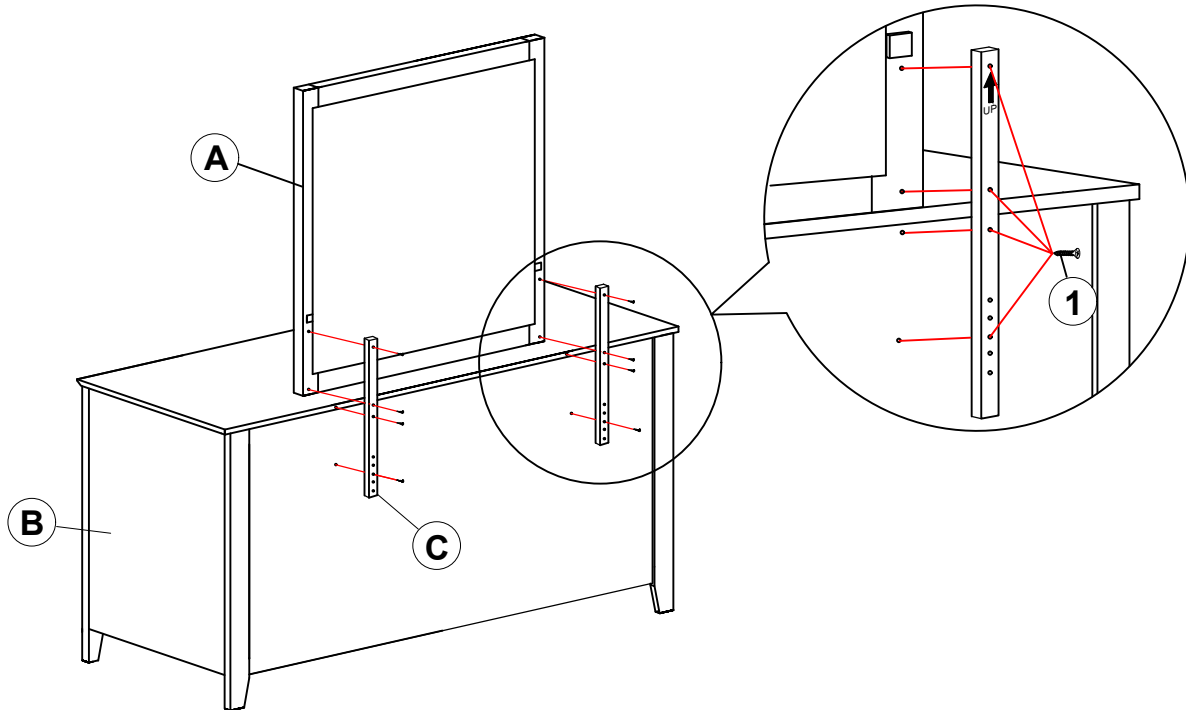
NOTE:

Phillips head screw driver is required in the assembly process; however, manufacturer does not provide this item.

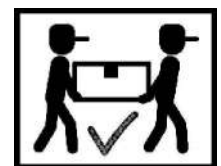
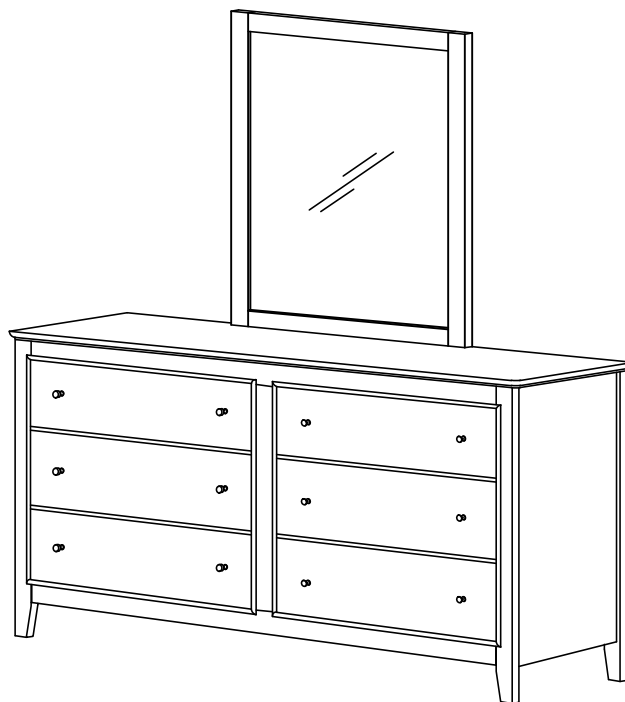
ITEM:400234



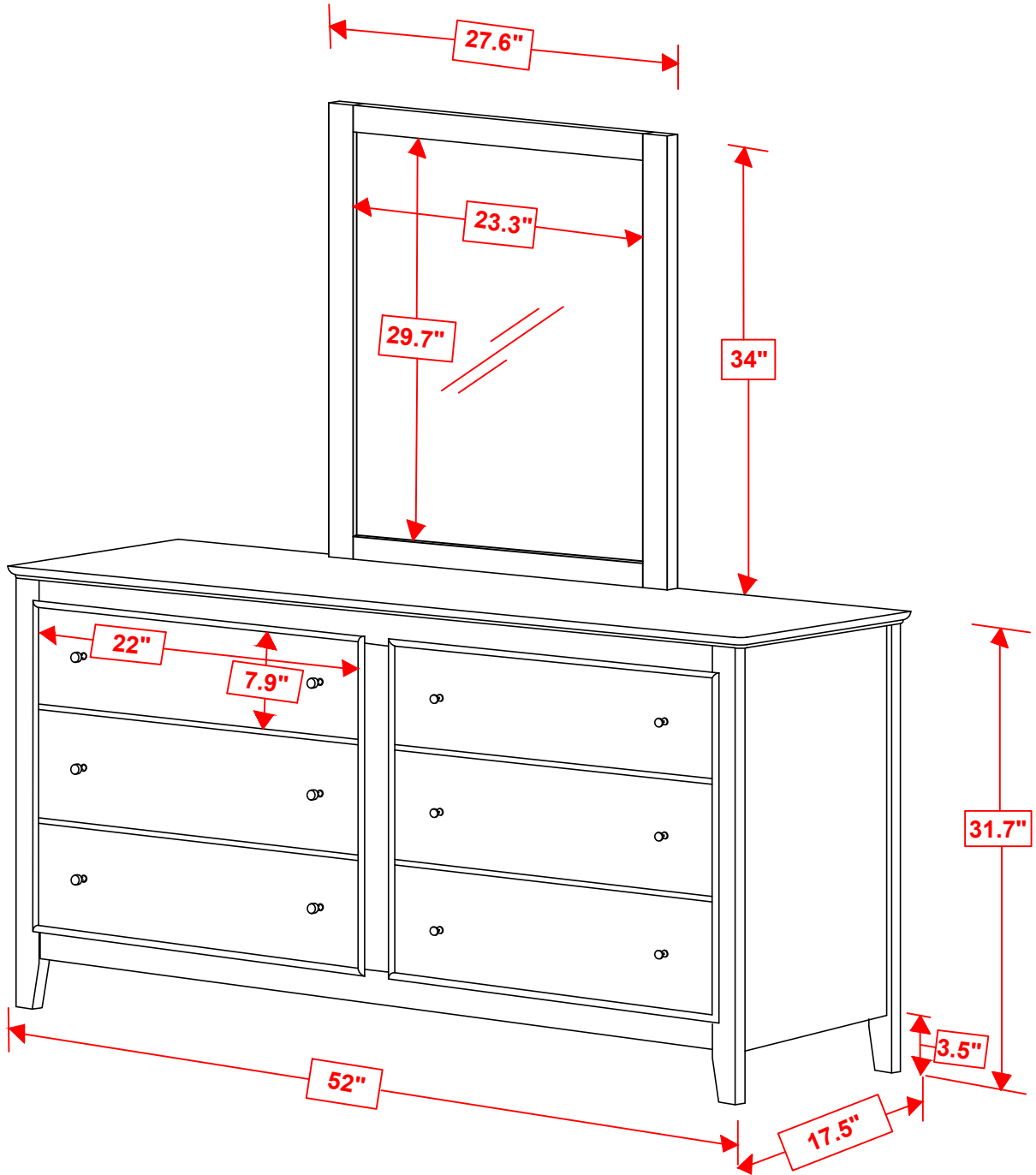
ASSEMBLY INSTRUCTIONS
STEP 1



STEP 2
COMPLETE



ITEM:400234



NOTE : DIMENSION TOLERANCE \pm 5%

COASTERFURNITURE.COM