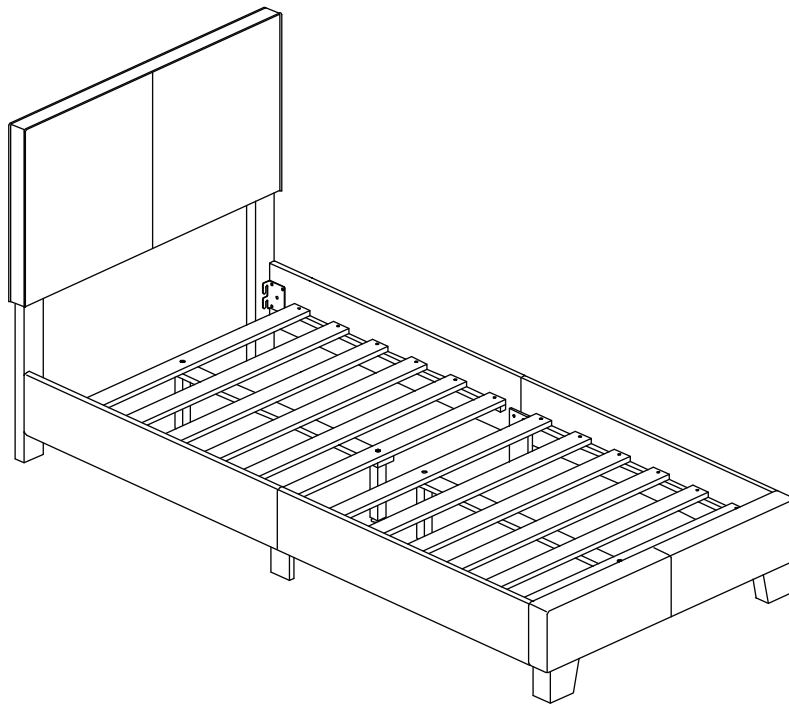


ASSEMBLY INSTRUCTIONS
COASTER FINE FURNITURE



Fine Furniture for every stage of life

300558T
Twin Bed

ITEM: **300558T**



ASSEMBLY INSTRUCTIONS

ASSEMBLY TIPS:

1. Remove hardware from box and sort by size.
2. Please check to see that all hardware and parts are present prior to start of assembly.
3. Please follow attached instructions in the same sequence as numbered to assure fast & easy assembly.



WARNING!

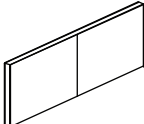
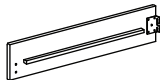
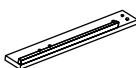
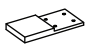
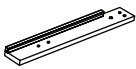

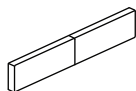

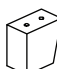

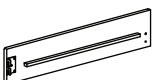

1. Don't attempt to repair or modify parts that are broken or defective. Please contact the store immediately.
2. This product is for home use only and not intended for commercial establishments.



ASSEMBLY TIME

20 MINUTES

PARTS IDENTIFICATION

A	HEADBOARD PANEL		1PC	G	BED RAIL (WITH "G" LABEL)		2PCS
B	LEFT HEADBOARD LEG (WITH "L" LABEL)		1PC	H	BED RAIL SUPPORT LEG		2PCS
C	RIGHT HEADBOARD LEG (WITH "R" LABEL)		1PC	I	BED SLAT WITH CENTER HOLE		4PCS
D	FOOTBOARD PANEL		1PC	J	BED SLAT		8PCS
E	FOOTBOARD LEG		2PCS	K	CENTER RAIL		2PCS
F	BED RAIL (WITH "F" LABEL)		2PCS	L	BED SLAT SUPPORT WITH LEVELER		4PCS

NOTE:

Phillips head screw driver is required in the assembly process; however, manufacturer does not provided this item.

ASSEMBLY INSTRUCTIONS

ASSEMBLY TIPS:

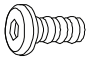

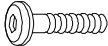

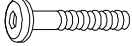

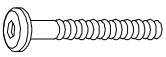
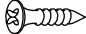




1. Remove hardware from box and sort by size.
2. Please check to see that all hardware and parts are present prior to start of assembly.
3. Please follow attached instructions in the same sequence as numbered to assure fast & easy assembly.



WARNING!

1. Don't attempt to repair or modify parts that are broken or defective. Please contact the store immediately.
2. This product is for home use only and not intended for commercial establishments.

HARDWARE IDENTIFICATION

1	BOLT 1 (M8 x 20mm - RBW)		8PCS	7	LOCK WASHER (1/4" X 12 Ø - RBW)		14PCS
2	BOLT 2 (M6 x 25mm - RBW)		8PCS	8	SMALL FLAT WASHER (1/4" X 13 Ø - RBW)		14PCS
3	BOLT 3 (M6 x 35mm - RBW)		6PCS	9	BIG FLAT WASHER (1/4" X 19 Ø - RBW)		8PCS
4	BOLT 4 (M6 x 50mm - RBW)		4PCS	10	FLAT HEAD SCREW (M4 x 32mm - RBW)		24PCS
5	BOLT 5 (M6 x 70mm - RBW)		2PCS	11	SMALL ALLEN WRENCH (M4 x 100mm - BLK)		1PC
6	WOOD DOWEL (M8Ø x 30mm)		2PCS	12	BIG ALLEN WRENCH (M5 x 65mm - BLK)		1PC

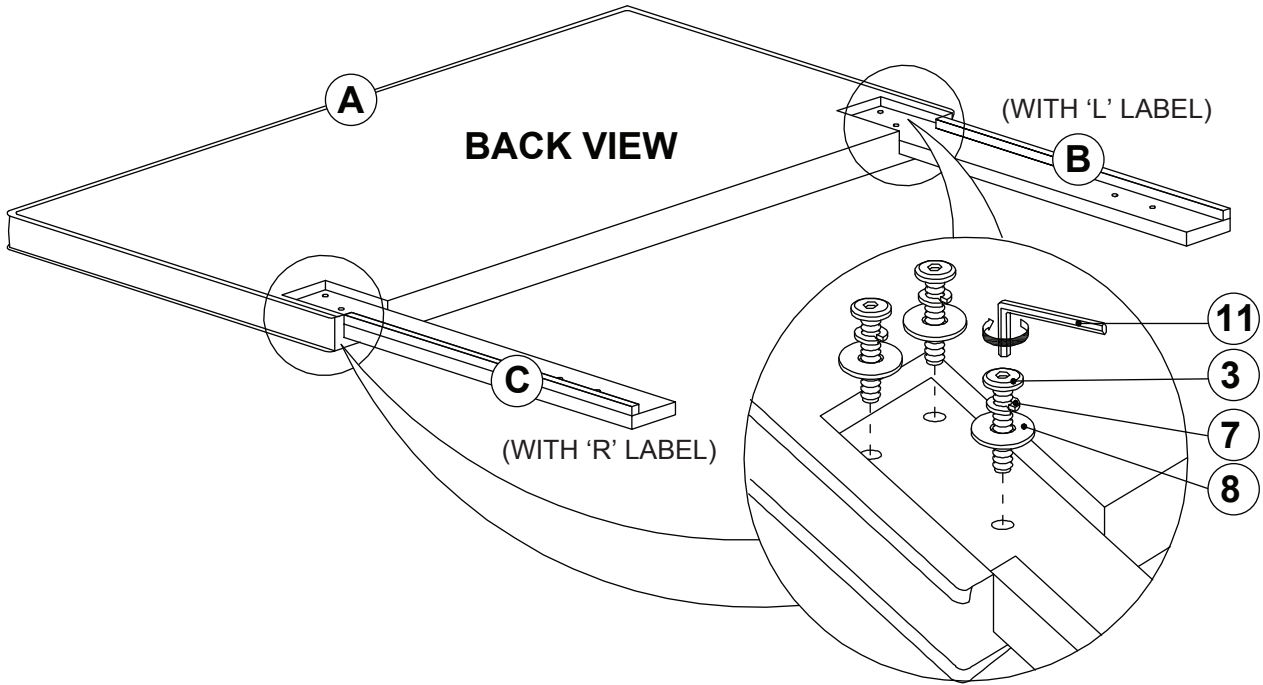
NOTE:

Phillips head screw driver is required in the assembly process; however, manufacturer does not provided this item.

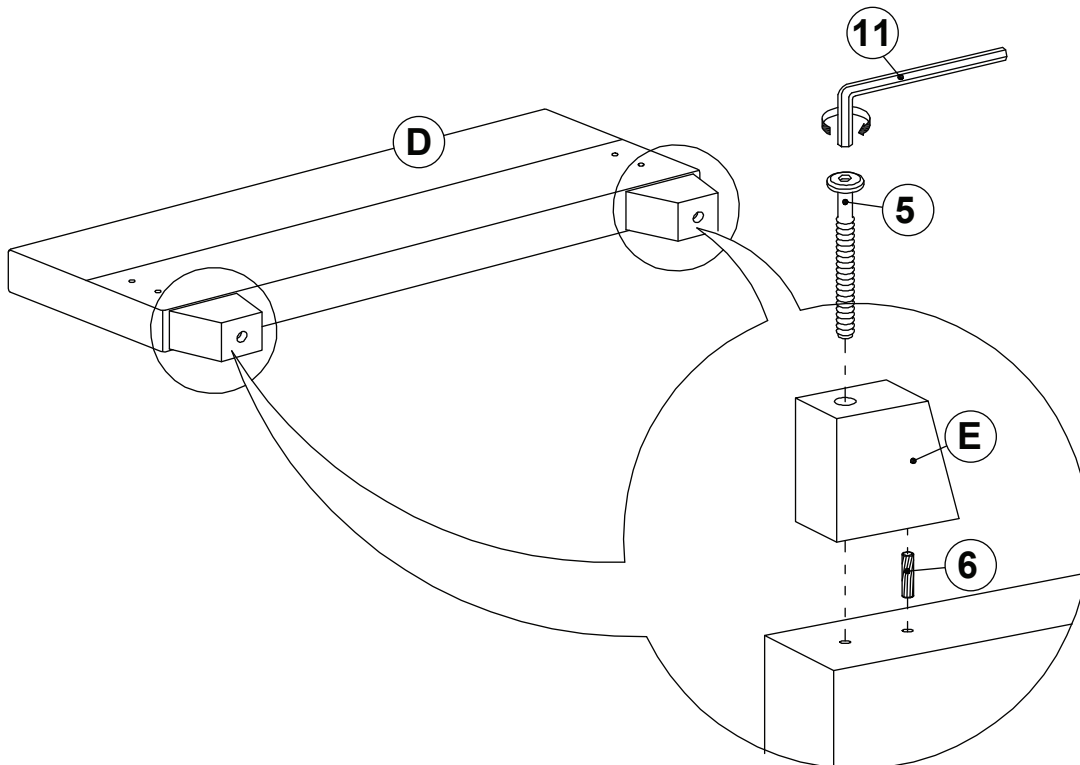
ITEM: **300558T**

ASSEMBLY INSTRUCTIONS

STEP 1



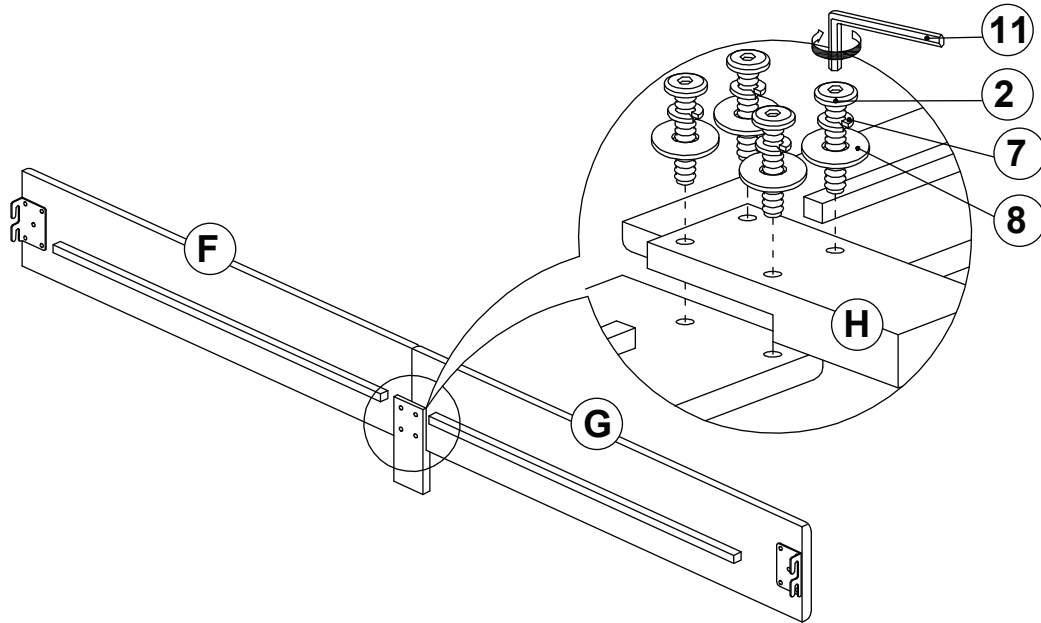
STEP 2



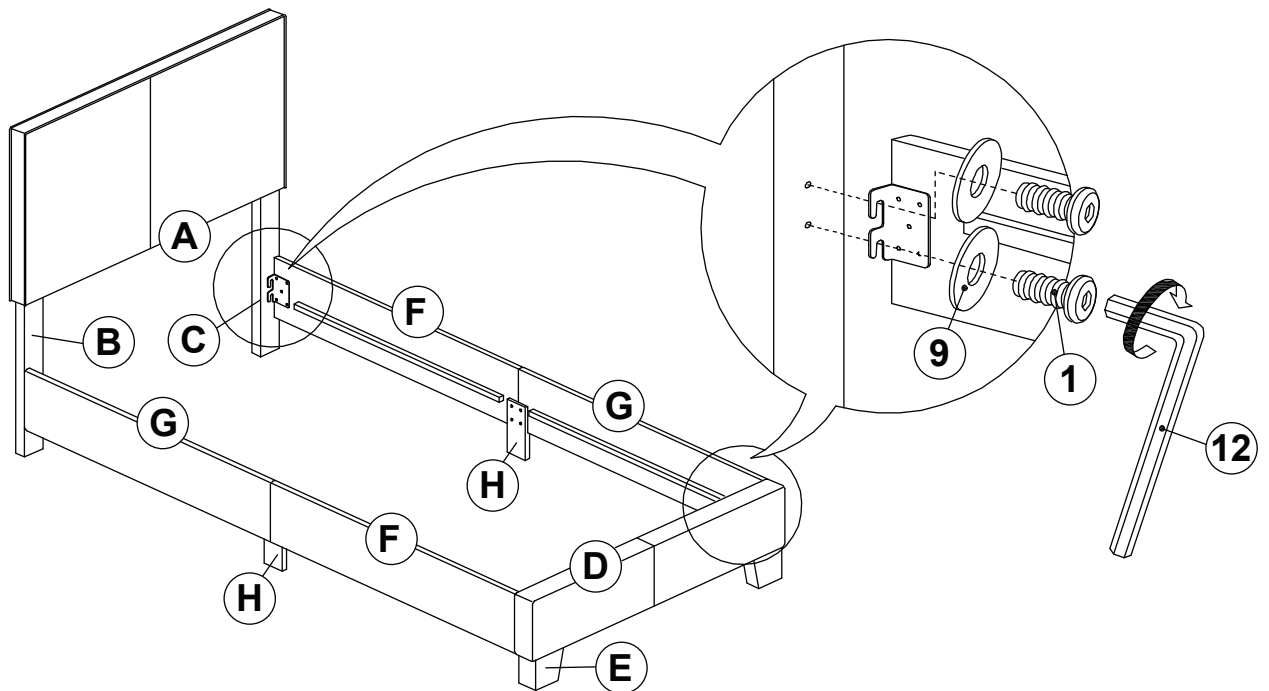
ITEM: **300558T**

ASSEMBLY INSTRUCTIONS

STEP 3



STEP 4

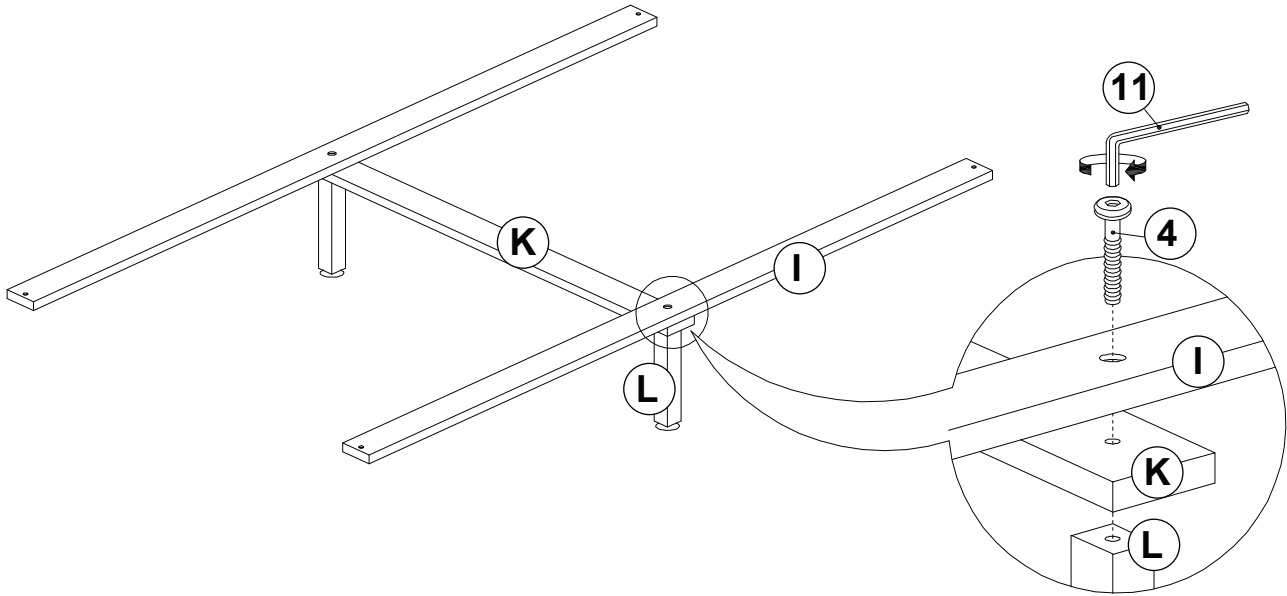


ITEM: **300558T**



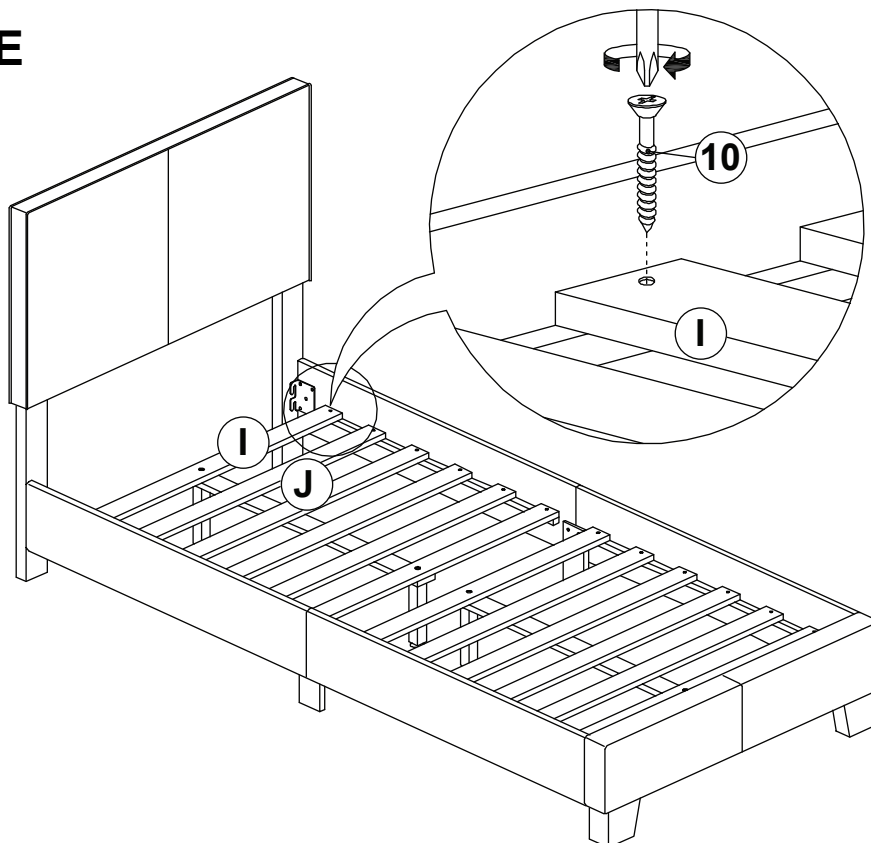
ASSEMBLY INSTRUCTIONS

STEP 5



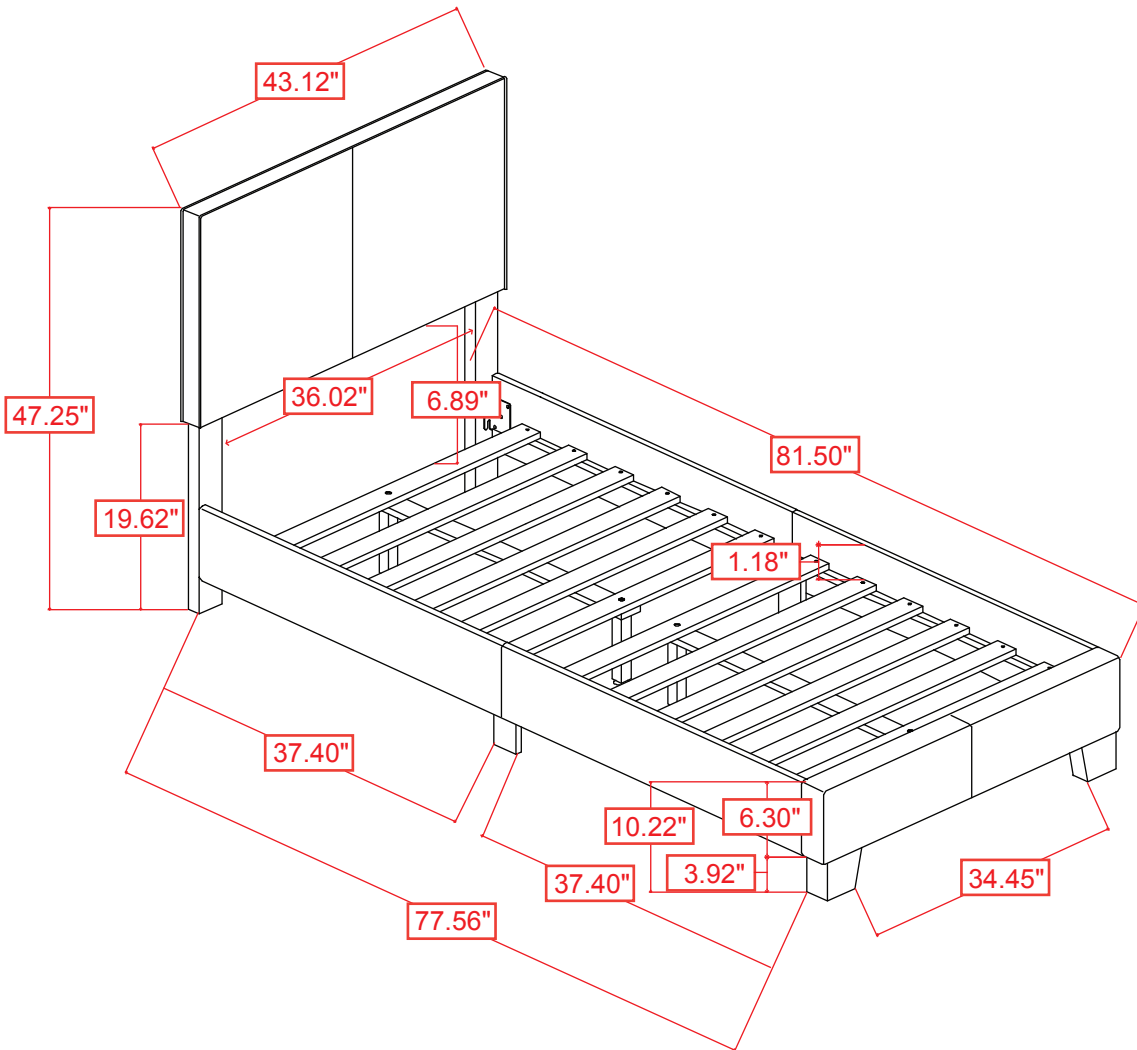
STEP 6

COMPLETE



ITEM: **300558T**

INNER SIZE : 39.62" X 76.00"



Note : Dimension tolerance $\pm 5\%$