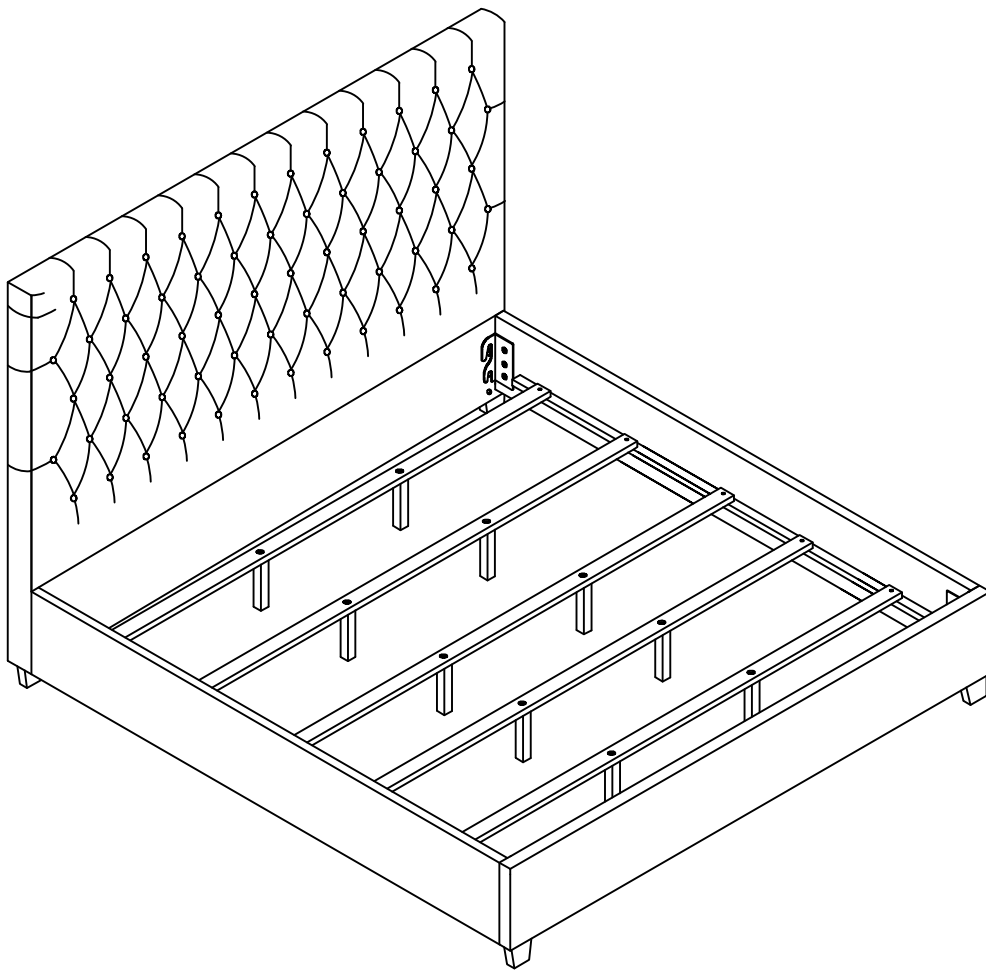


ASSEMBLY INSTRUCTIONS
COASTER FINE FURNITURE



Fine Furniture for every stage of life

300529KE(B1&B2)
Eastern King Bed

ITEM: 300529KE(B1&B2)

ASSEMBLY INSTRUCTIONS

ASSEMBLY TIPS:

1. Remove hardware from box and sort by size.
2. Please check to see that all hardware and parts are present prior to start of assembly.
3. Please follow attached instructions in the same sequence as numbered to assure fast & easy assembly.



WARNING!

1. Don't attempt to repair or modify parts that are broken or defective. Please contact the store immediately.
2. This product is for home use only and not intended for commercial establishments.



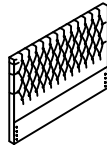
ASSEMBLY TIME

15 MINUTES

PARTS IDENTIFICATION

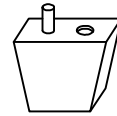
B1(BOX1)

AV HEADBOARD PANEL



1PC

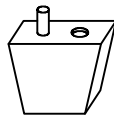
BV HEADBOARD LEG



2PCS

B2(BOX2)

CV FOOTBOARD LEG



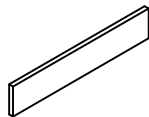
2PCS

DV BED RAIL



2PCS

EV FOOTBOARD PANEL



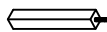
1PC

FV BED SLAT



5PCS

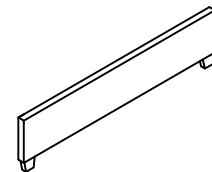
GV BED SLAT SUPPORT WITH LEVELER



10PCS

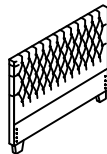
FBV

300529KE(B2)
FROM BOX2
FOOTBOARD
COMPLETE



1PC

HBV 300529KE(B1)
FROM BOX1
HEADBOARD
COMPLETE



1PC

ITEM: 300529KE(B1&B2)

ASSEMBLY INSTRUCTIONS

ASSEMBLY TIPS:

1. Remove hardware from box and sort by size.
2. Please check to see that all hardware and parts are present prior to start of assembly.
3. Please follow attached instructions in the same sequence as numbered to assure fast & easy assembly.

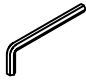




WARNING!






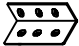
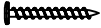

1. Don't attempt to repair or modify parts that are broken or defective. Please contact the store immediately.
2. This product is for home use only and not intended for commercial establishments.

HARDWARE IDENTIFICATION

Z-B1(BOX1)-HARDWARE PACK IS LOCATED IN 300529KE(B1)

1	ALLEN WRENCH (5MM-RBW)		1PC	2	FLAT WASHER (Ø5/16" -RBW)		2PCS
3	BOLT (Ø5/16"x 70mm-RBW)		2PCS				

Z-B2(BOX2)-HARDWARE PACK IS LOCATED IN 300529KE(B2)

4	ALLEN WRENCH (5MM-RBW)		1PC	5	FLAT WASHER (Ø5/16" -RBW)		24PCS
6	LONG BOLT (Ø5/16"x 70mm-RBW)		2PCS	7	HEADBOARD CORNER BRACKET-LEFT (150mmX68mmX60mmX3mm-RBW)		1PC
8	HEADBOARD CORNER BRACKET-RIGHT (150mmX68mmX60mmX3mm-RBW)		1PC	9	FOOTBOARD CORNER BRACKET (150mmX45mmX45mmX2mm-RBW)		2PCS
10	FLAT HEAD SCREW (m4x30mm-RBW)		10PCS	11	SHORT BOLT (Ø5/16"x 25mm-RBW)		22PCS

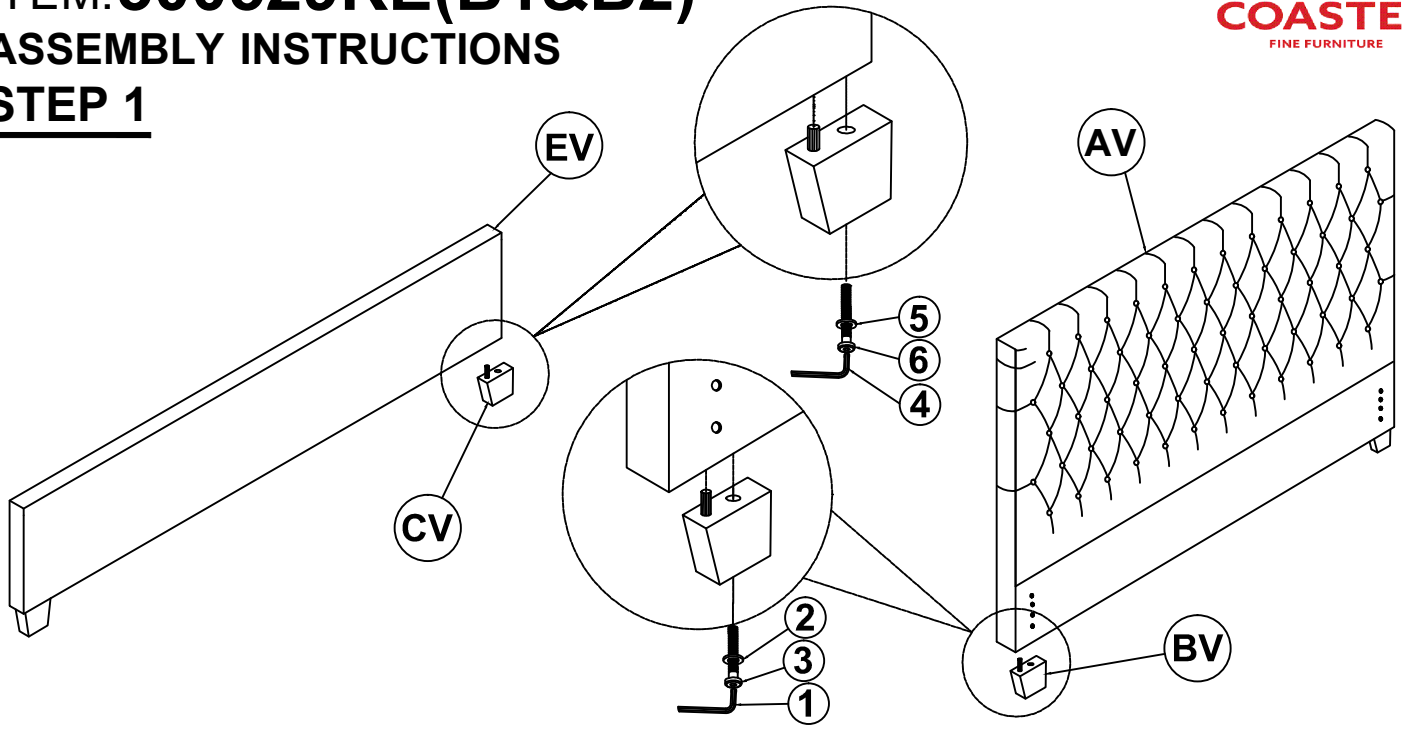
NOTE:

Phillips head screw driver is required in the assembly process; however, manufacturer does not provide this item.

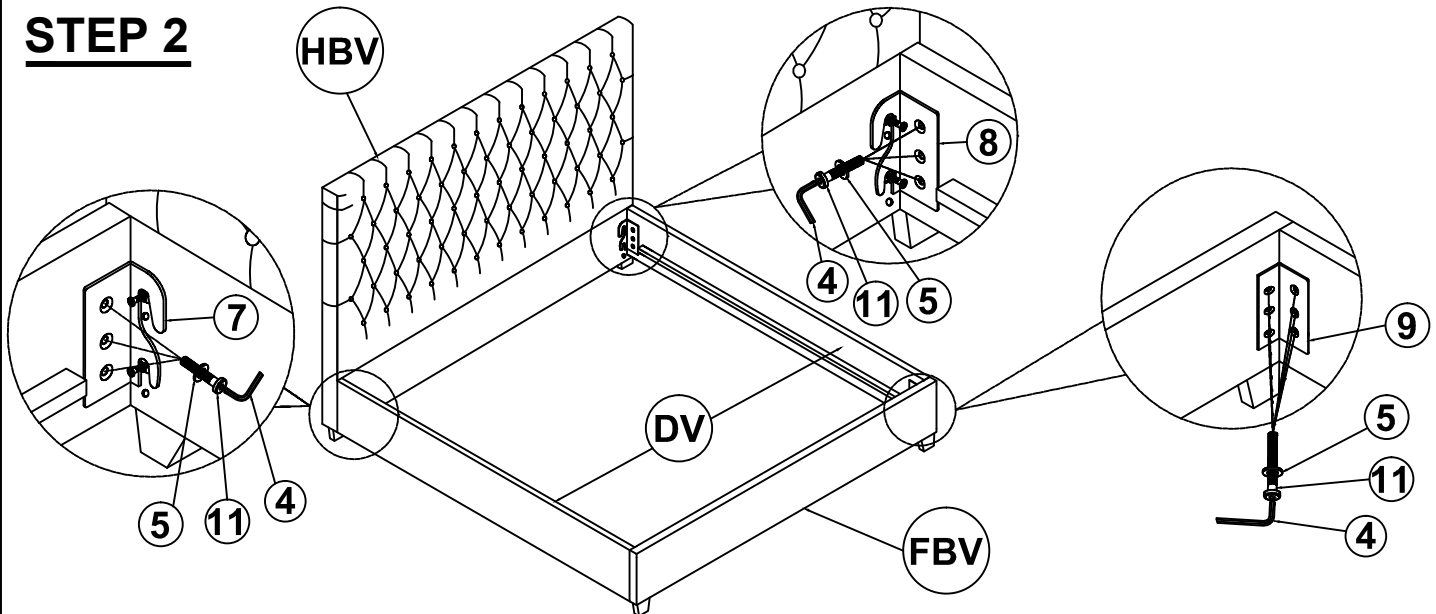
ITEM: 300529KE(B1&B2)

ASSEMBLY INSTRUCTIONS

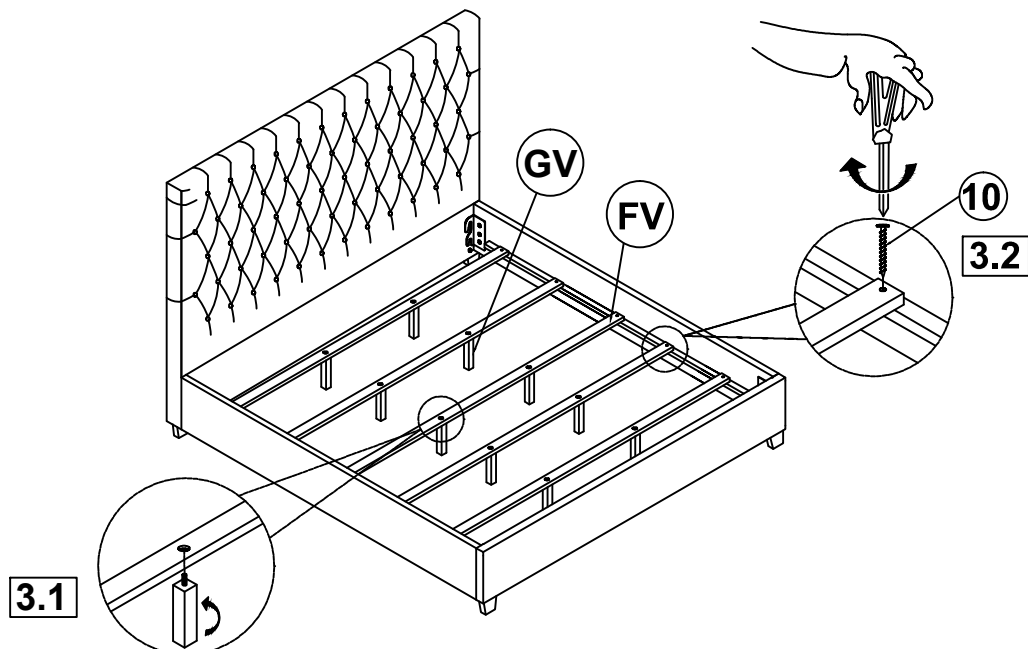
STEP 1



STEP 2



STEP 3

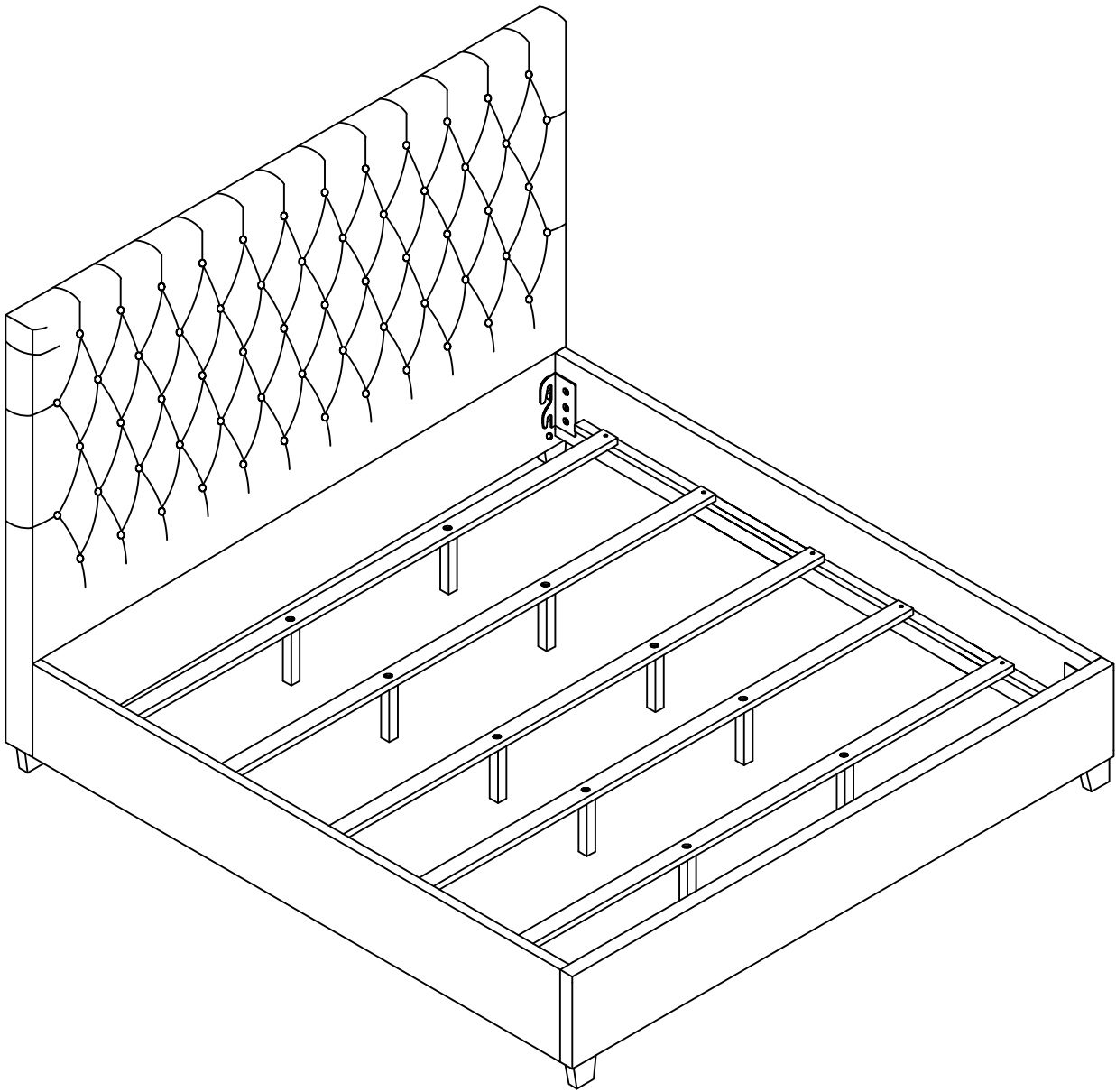


ITEM: **300529KE(B1&B2)**

ASSEMBLY INSTRUCTIONS

STEP 4

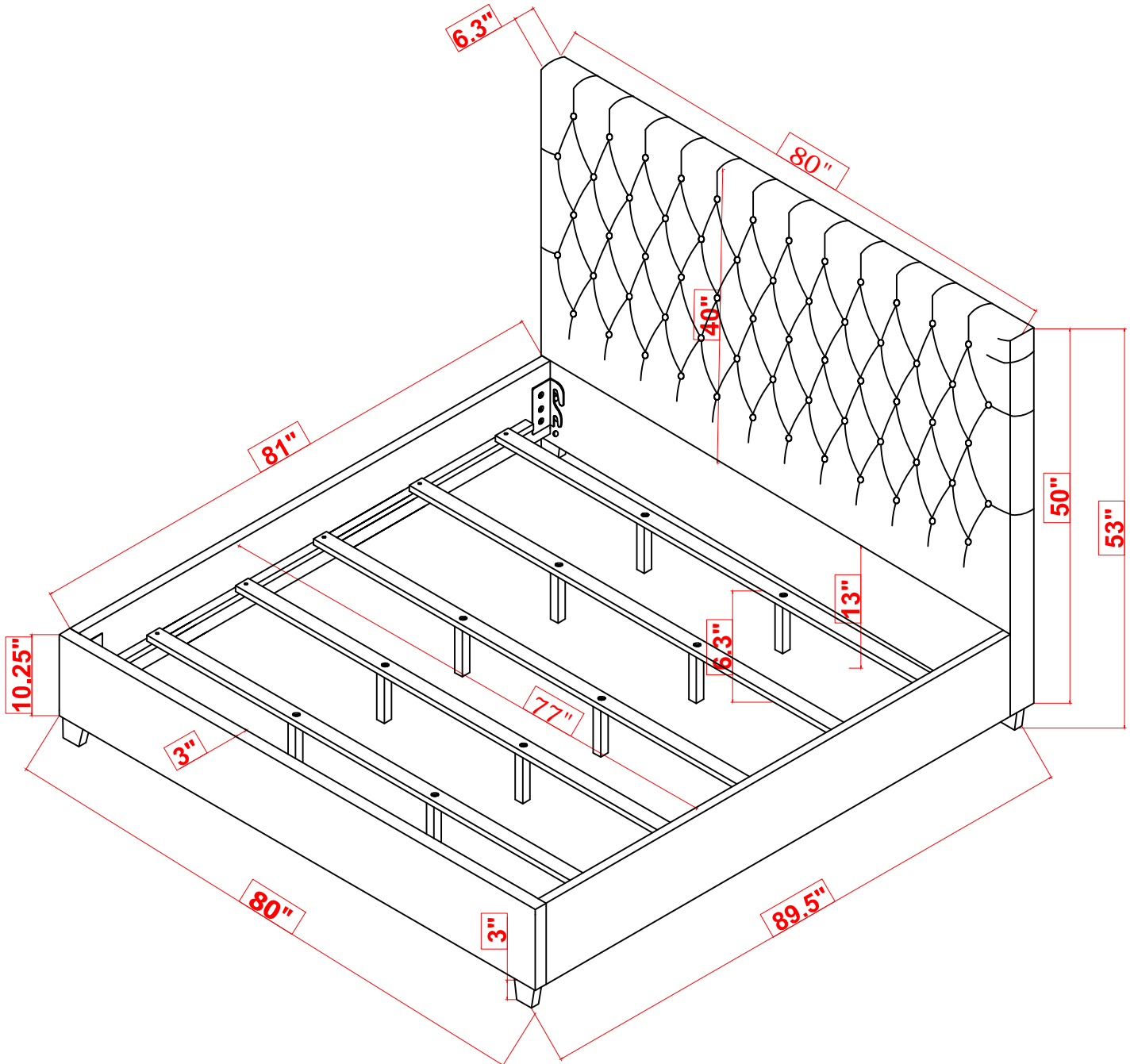
COMPLETE



ITEM:300529KE(B1&B2)

COASTER
FINE FURNITURE

INNER SIZE:81"X77"



NOTE:Dimension tolerance±5%

COASTERFURNITURE.COM