

ASSEMBLY INSTRUCTIONS
COASTER FINE FURNITURE



Fine Furniture for every stage of life

300026 (B1 & B2)
Trundle Bed

REVISION 0 : 11/14/2006
REVISION 1 : 09/05/2012
REVISION 2 : 03/21/2018
REVISION 3 : 06/03/2019

ITEM: 300026(B1&B2)

ASSEMBLY INSTRUCTIONS

ASSEMBLY TIPS:

1. Remove hardware from box and sort by size.
2. Please check to see that all hardware and parts are present prior to start of assembly.
3. Please follow attached instruction in the same sequence as numbered to assure fast & easy assembly.



WARNING!

1. Don't attempt to repair or modify parts that are broken or defective. Please contact the store immediately.
2. This product is for home use only and not intended for commercial establishments.

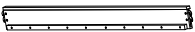
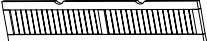
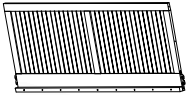


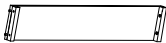


ASSEMBLY TIME

30 MINUTES

PARTS IDENTIFICATION

B1 (BOX1)

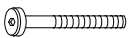
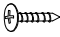


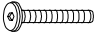

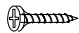
AN	FRONT RAIL		1PC	DN	TRUNDLE FRONT RAIL		1PC
BN	BACK FRAME		1PC	EN	TRUNDLE BACK RAIL		1PC
CN	ROLL SLAT (13PCS)		2SETS	FN	TRUNDLE SIDE PANEL		2PCS

B2 (BOX2)

GN	FINIAL		4PCS	IN	RIGHT LEG FRAME		1PC
HN	LEFT LEG FRAME		1PC	JN	CASTER		4PCS

HARDWARE IDENTIFICATION

Z-B2(BOX2) - HARDWARE PACK IS LOCATED IN 300026 (B2)

1	LONG BOLT (1/4 x 100 x 13mm - RBW)		4PCS	5	SHORT FLAT HEAD SCREW (3 x 20mm - RBW)		16PCS
2	BARREL NUT (1/4 x 13mm - RBW)		4PCS	6	WOOD PLUG (Φ14.5 x 9mm-WHT)		4PCS
3	SHORT BOLT (1/4 x 32 x 13mm - RBW)		8PCS	7	ALLEN WRENCH (4MM - RBW)		1PC
4	LONG FLAT HEAD SCREW (4 x 30mm - RBW)		12PCS				

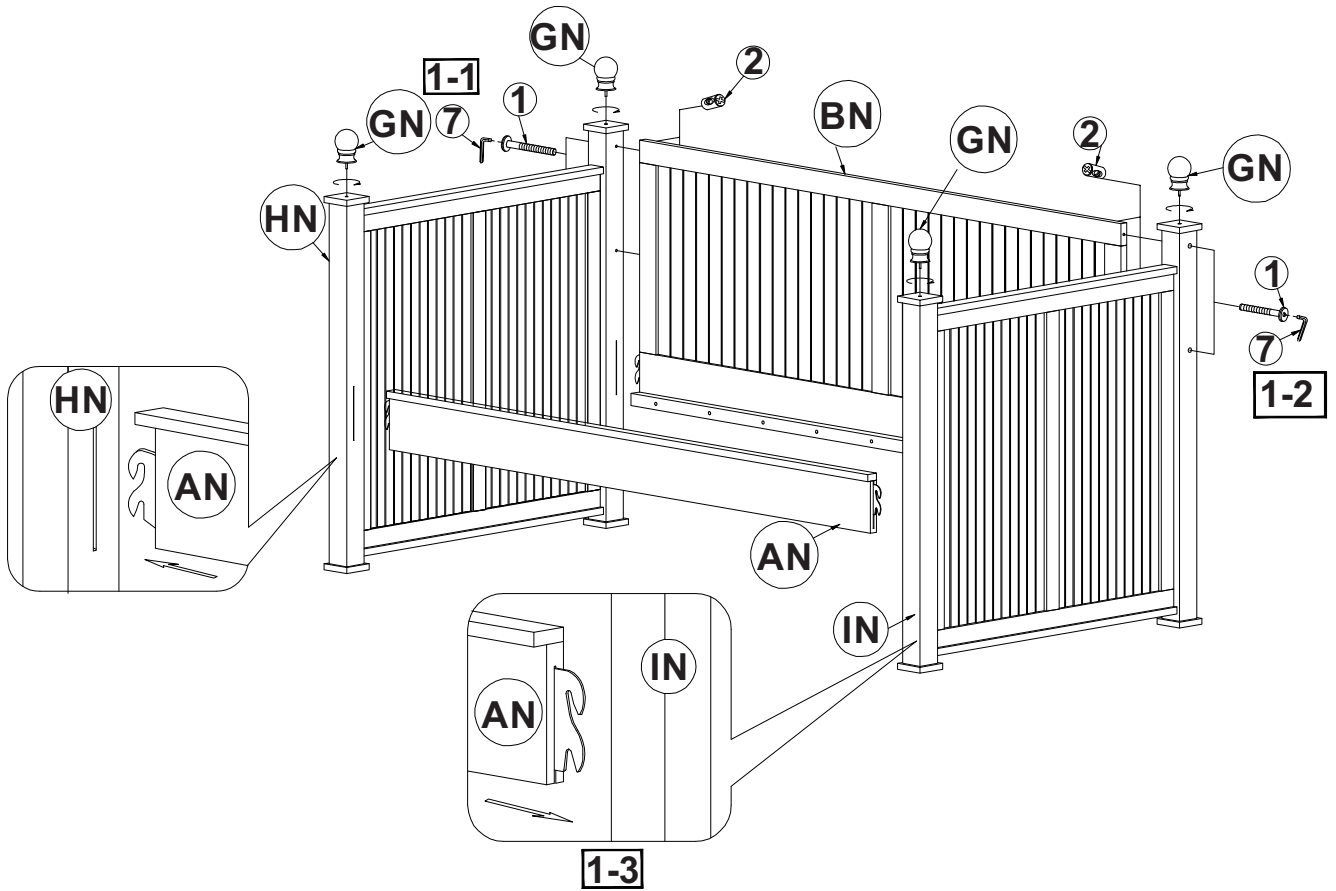
NOTE :

Phillips head screw driver is required in the assembly process; However, manufacturer does not provide this item

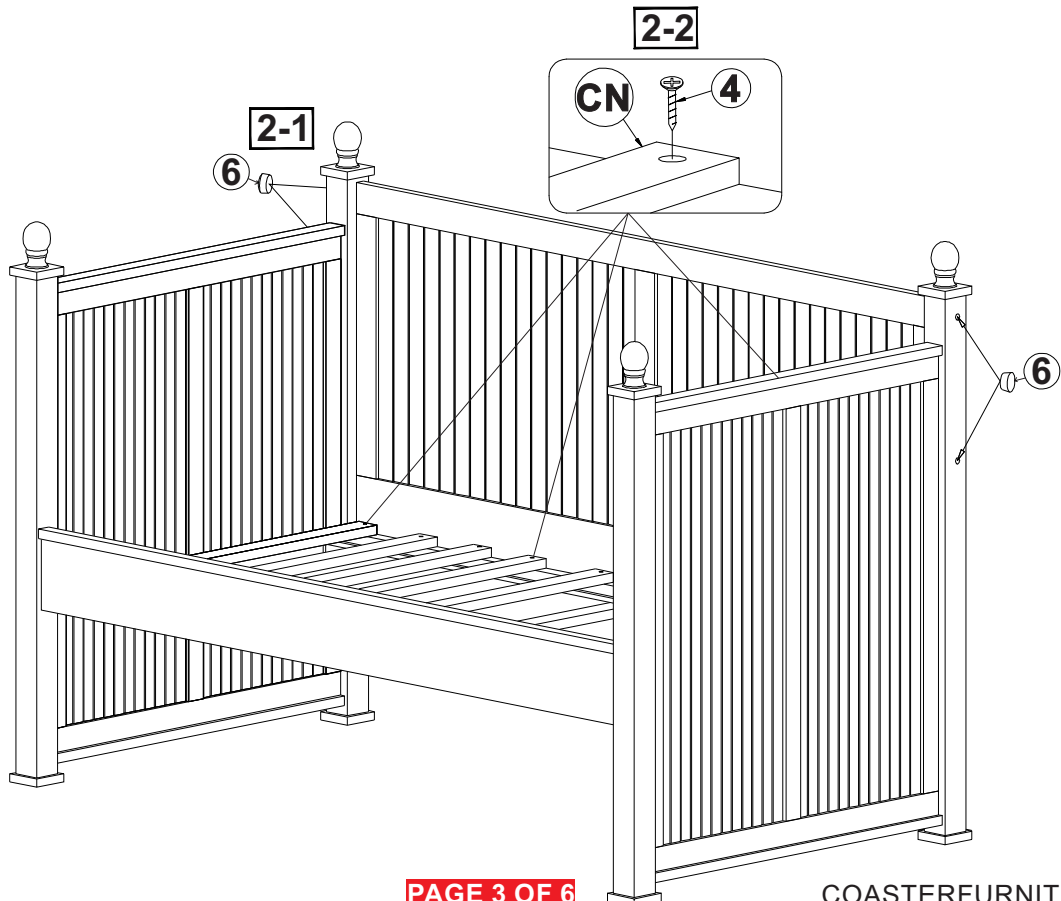
ITEM: 300026(B1&B2)

ASSEMBLY INSTRUCTIONS

STEP 1



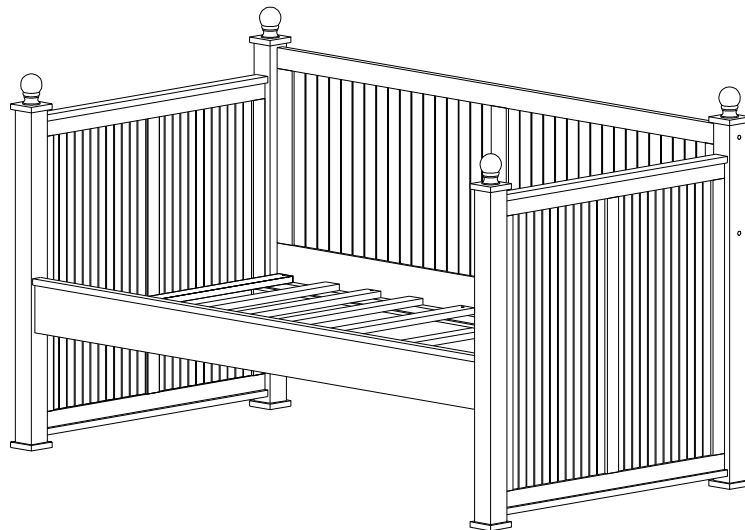
STEP 2



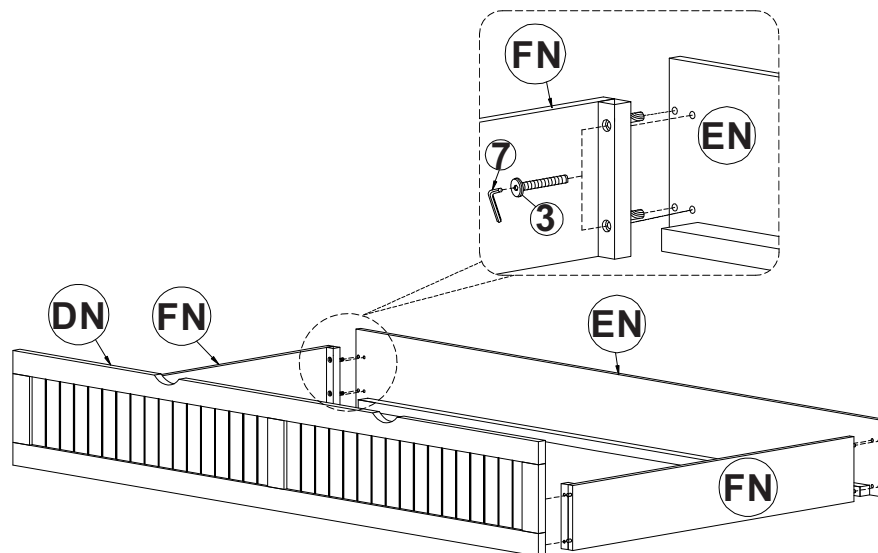
ITEM: 300026(B1&B2)

ASSEMBLY INSTRUCTIONS

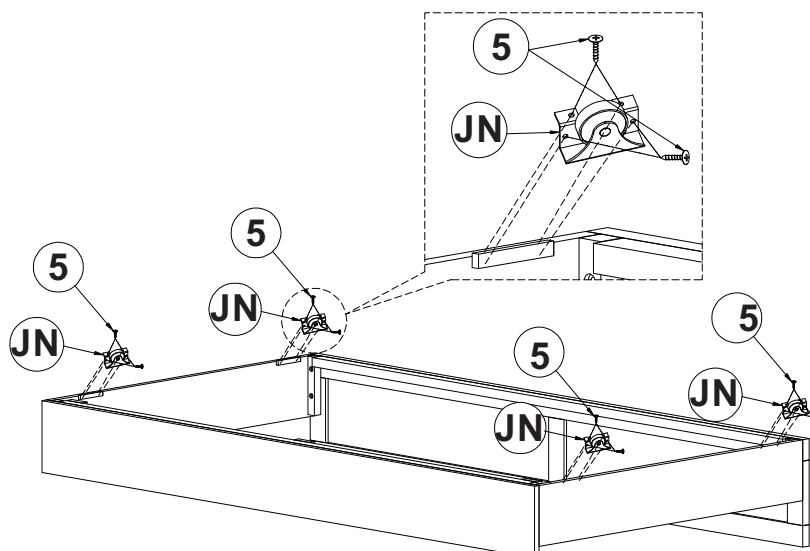
STEP 3



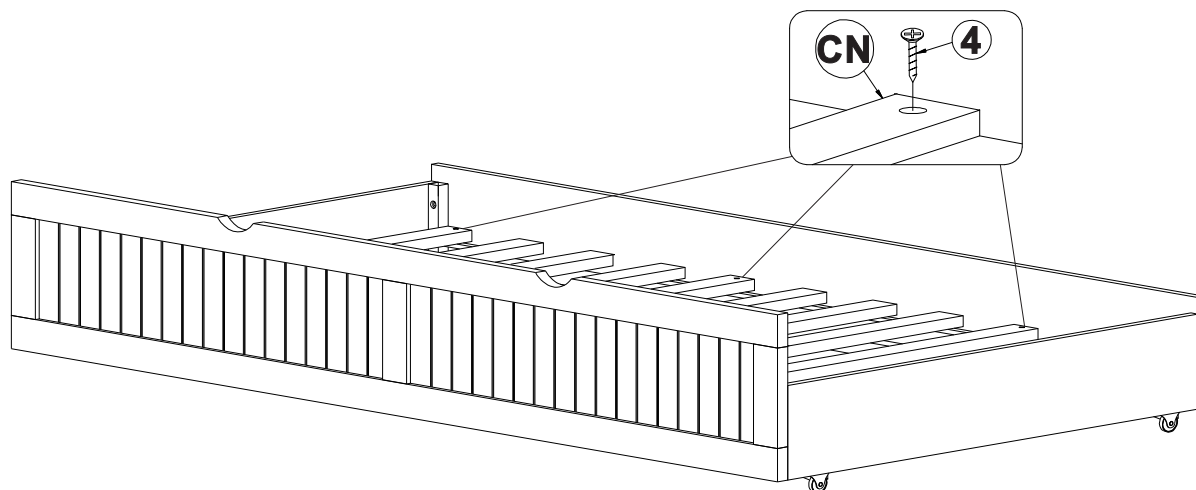
STEP 4



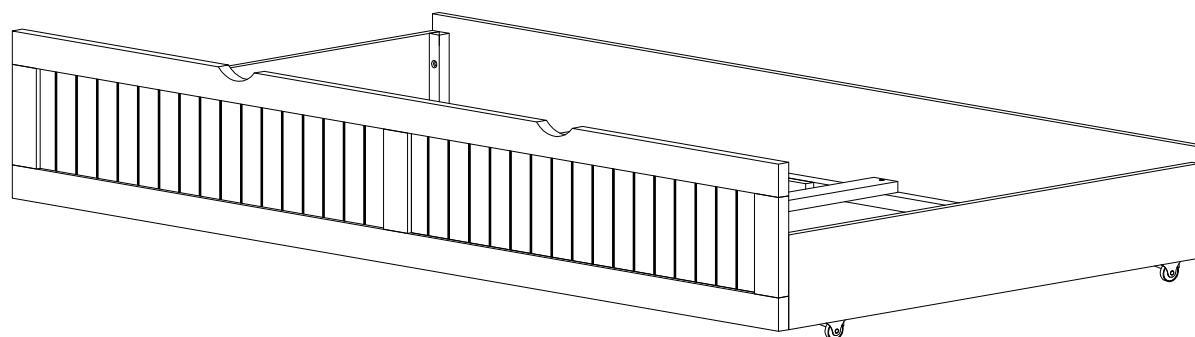
STEP 5



ITEM: **300026(B1&B2)**
ASSEMBLY INSTRUCTIONS
STEP 6



STEP 7

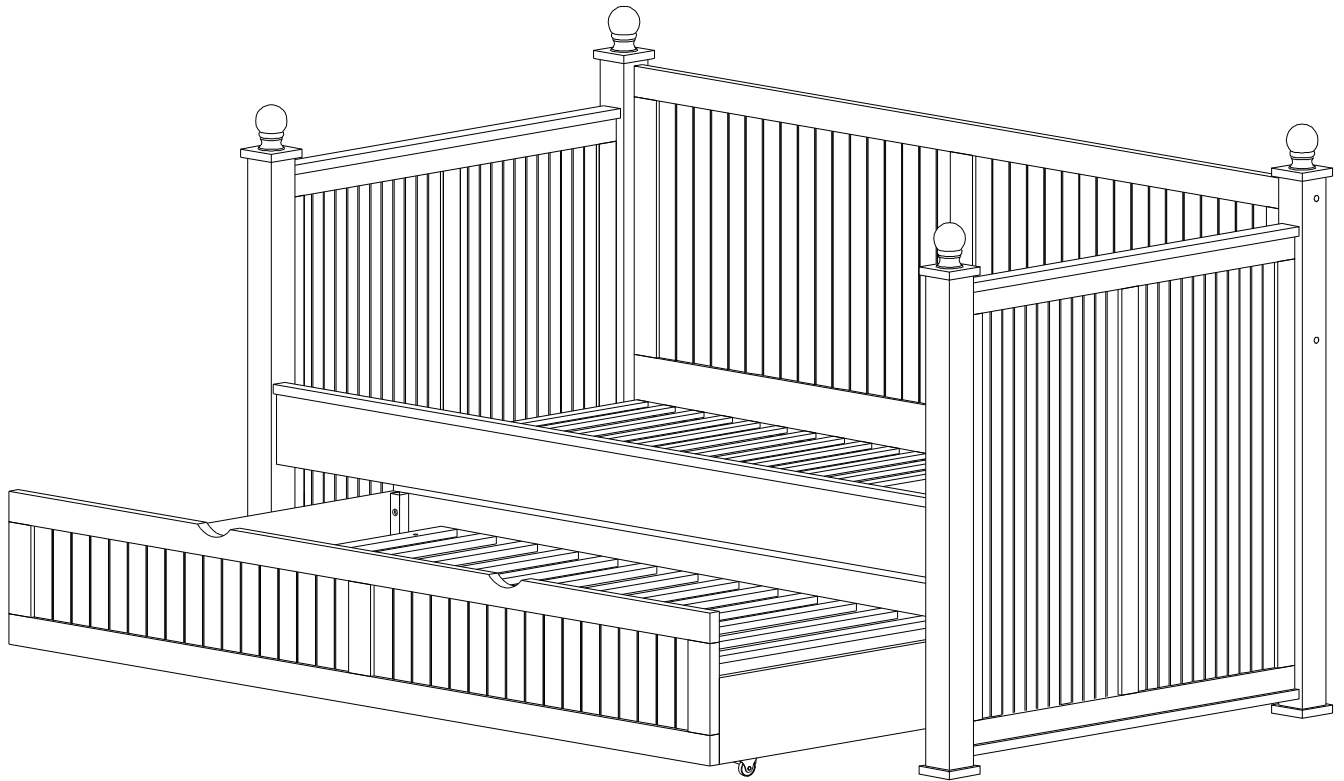


ITEM: **300026(B1&B2)**

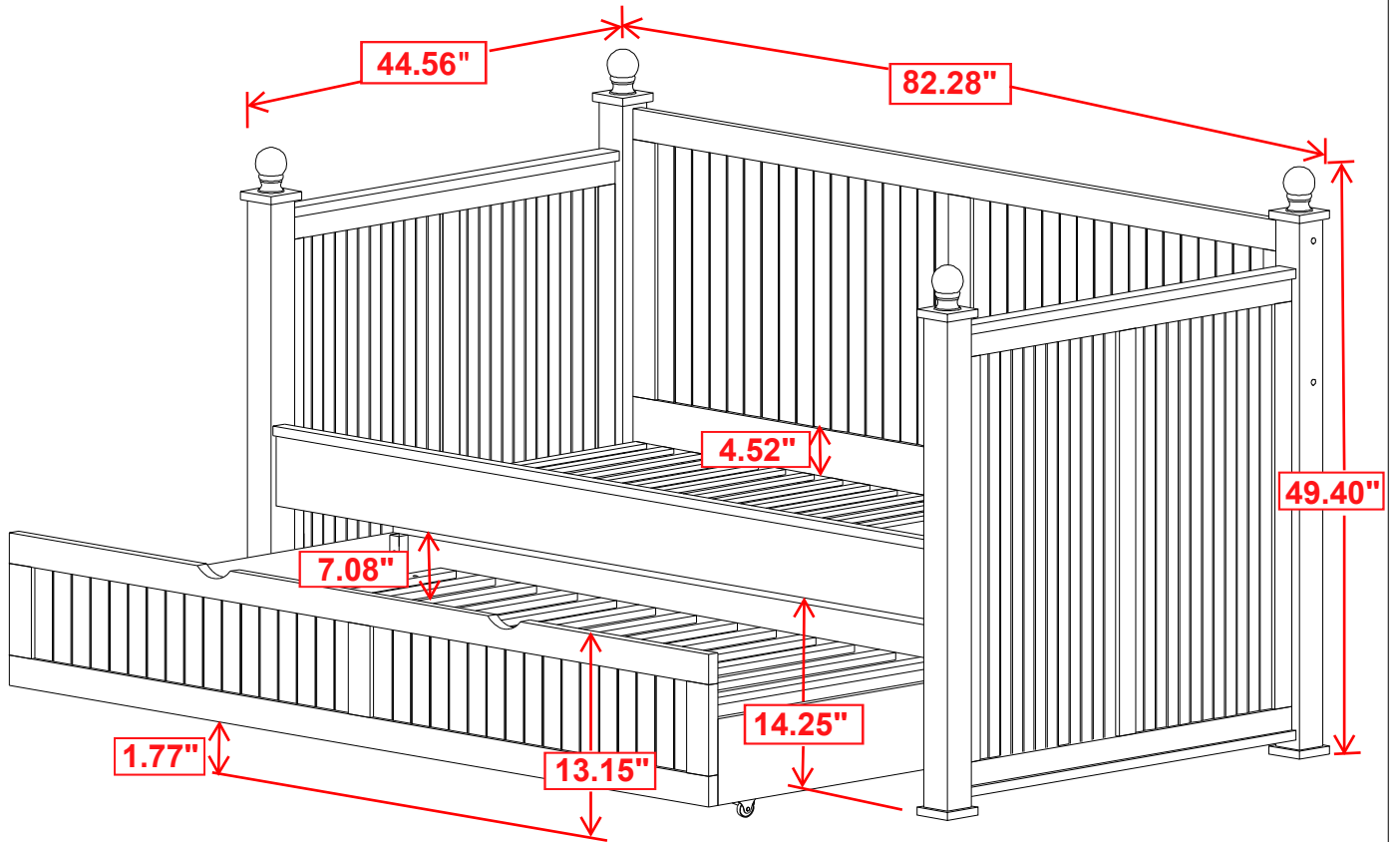


ASSEMBLY INSTRUCTIONS

STEP 8
COMPLETE



ITEM: 300026 (B1&B2)



UPPER INNER SIZE : 40.35" x 78.35"

LOWER INNER SIZE : 40.35" x 74.41"

Note: Dimension tolerance $\pm 5\%$