

**ASSEMBLY INSTRUCTIONS**  
**COASTER FINE FURNITURE**



*Fine Furniture for every stage of life*

**300007Q(B1&B2)**  
***Queen Bed***

# ITEM: 30007Q(B1&B2)

## ASSEMBLY INSTRUCTIONS

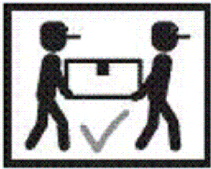
### ASSEMBLY TIPS:

1. Remove hardware from box and sort by size.
2. Please check to see that all hardware and parts are present prior to start of assembly.
3. Please follow attached instructions in the same sequence as numbered to assure fast & easy assembly.



### WARNING!

1. Don't attempt to repair or modify parts that are broken or defective. Please contact the store immediately.
2. This product is for home use only and not intended for commercial establishments.



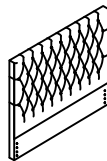
ASSEMBLY TIME

15 MINUTES

## PARTS IDENTIFICATION

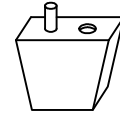
### B1(BOX1)

AV HEADBOARD PANEL



1PC

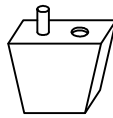
BV HEADBOARD LEG



2PCS

### B2(BOX2)

CV FOOTBOARD LEG



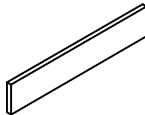
2PCS

DV BED RAIL



2PCS

EV FOOTBOARD PANEL



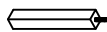
1PC

FV BED SLAT



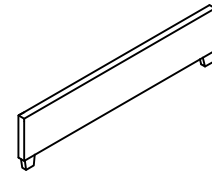
3PCS

GV BED SLAT SUPPORT WITH LEVELER



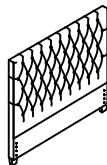
3PCS

FBV 30007Q(B2) FROM BOX2 FOOTBOARD COMPLETE



1PC

HBV 30007Q(B1) FROM BOX1 HEADBOARD COMPLETE



1PC

# ITEM: 300007Q(B1&B2)

## ASSEMBLY INSTRUCTIONS

### ASSEMBLY TIPS:

1. Remove hardware from box and sort by size.
2. Please check to see that all hardware and parts are present prior to start of assembly.
3. Please follow attached instructions in the same sequence as numbered to assure fast & easy assembly.

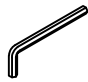

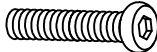


### WARNING!






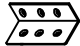
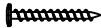
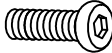
1. Don't attempt to repair or modify parts that are broken or defective. Please contact the store immediately.
2. This product is for home use only and not intended for commercial establishments.

## HARDWARE IDENTIFICATION

### Z-B1(BOX1)-HARDWARE PACK IS LOCATED IN 300007Q(B1)

1	<b>ALLEN WRENCH</b> (5MM-RBW)		1PC	2	<b>FLAT WASHER</b> (Ø5/16" -RBW)		2PCS
3	<b>BOLT</b> (Ø5/16"x 70mm-RBW)		2PCS				

### Z-B2(BOX2)-HARDWARE PACK IS LOCATED IN 300007Q(B2)

4	<b>ALLEN WRENCH</b> (5MM-RBW)		1PC	5	<b>FLAT WASHER</b> (Ø5/16" -RBW)		24PCS
6	<b>LONG BOLT</b> (Ø5/16"x 70mm-RBW)		2PCS	7	<b>HEADBOARD CORNER BRACKET-LEFT</b> (150mmX68mmX60mmX3mm-RBW)		1PC
8	<b>HEADBOARD CORNER BRACKET-RIGHT</b> (150mmX68mmX60mmX3mm-RBW)		1PC	9	<b>FOOTBOARD CORNER BRACKET</b> (150mmX45mmX45mmX2mm-RBW)		2PCS
10	<b>FLAT HEAD SCREW</b> (m4x30mm-RBW)		6PCS	11	<b>SHORT BOLT</b> (Ø5/16"x 25mm-RBW)		22PCS

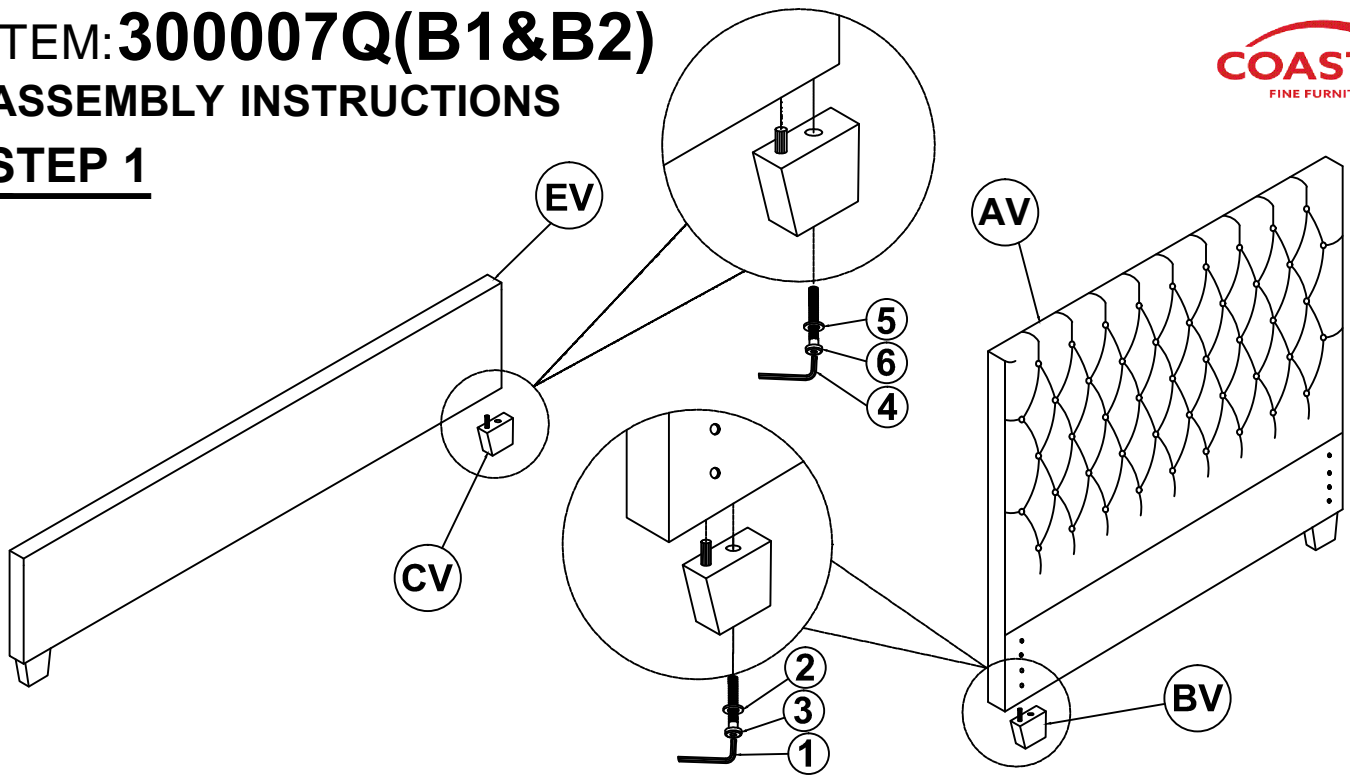
### NOTE:

Phillips head screw driver is required in the assembly process; however, manufacturer does not provide this item.

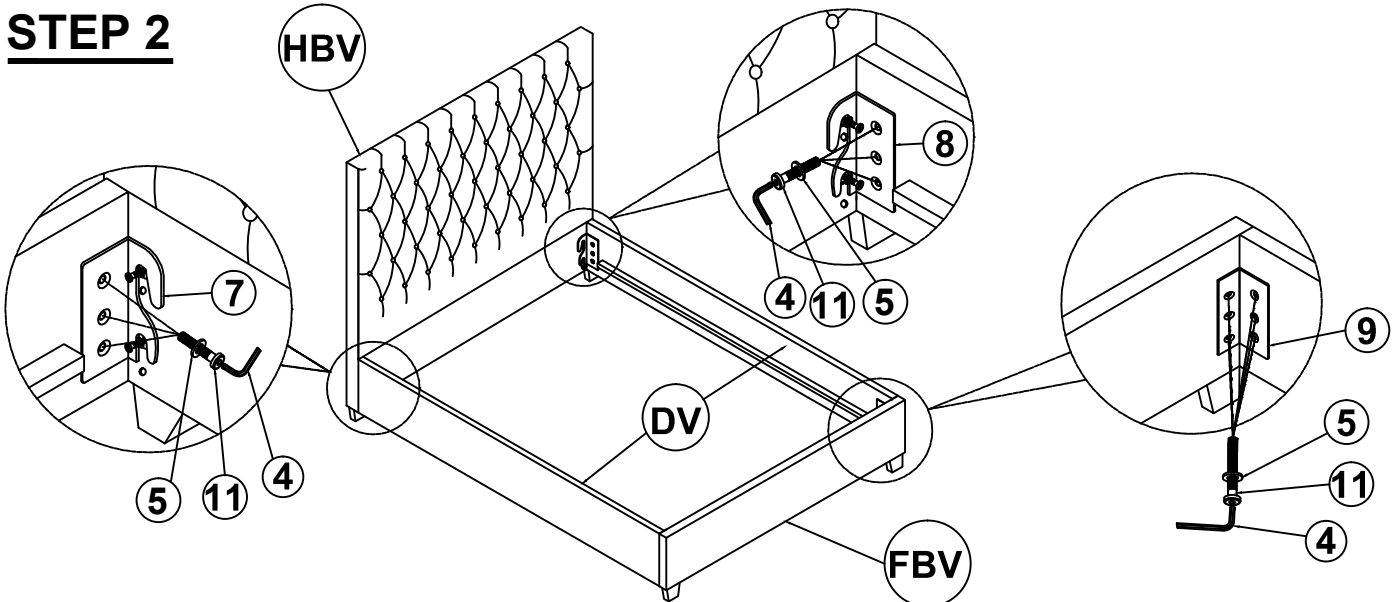
# ITEM: 300007Q(B1&B2)

## ASSEMBLY INSTRUCTIONS

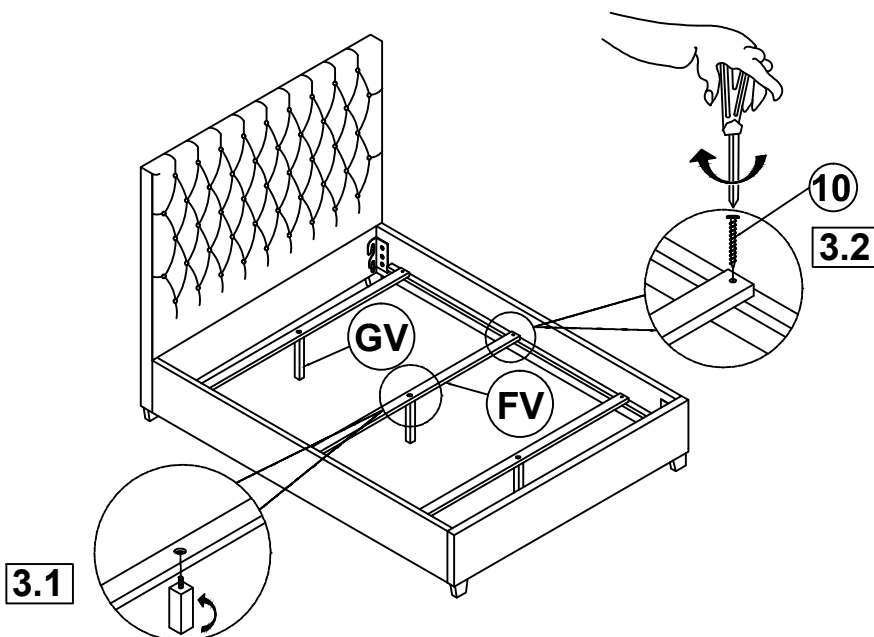
### STEP 1



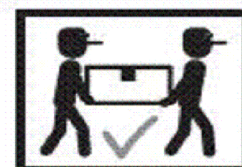
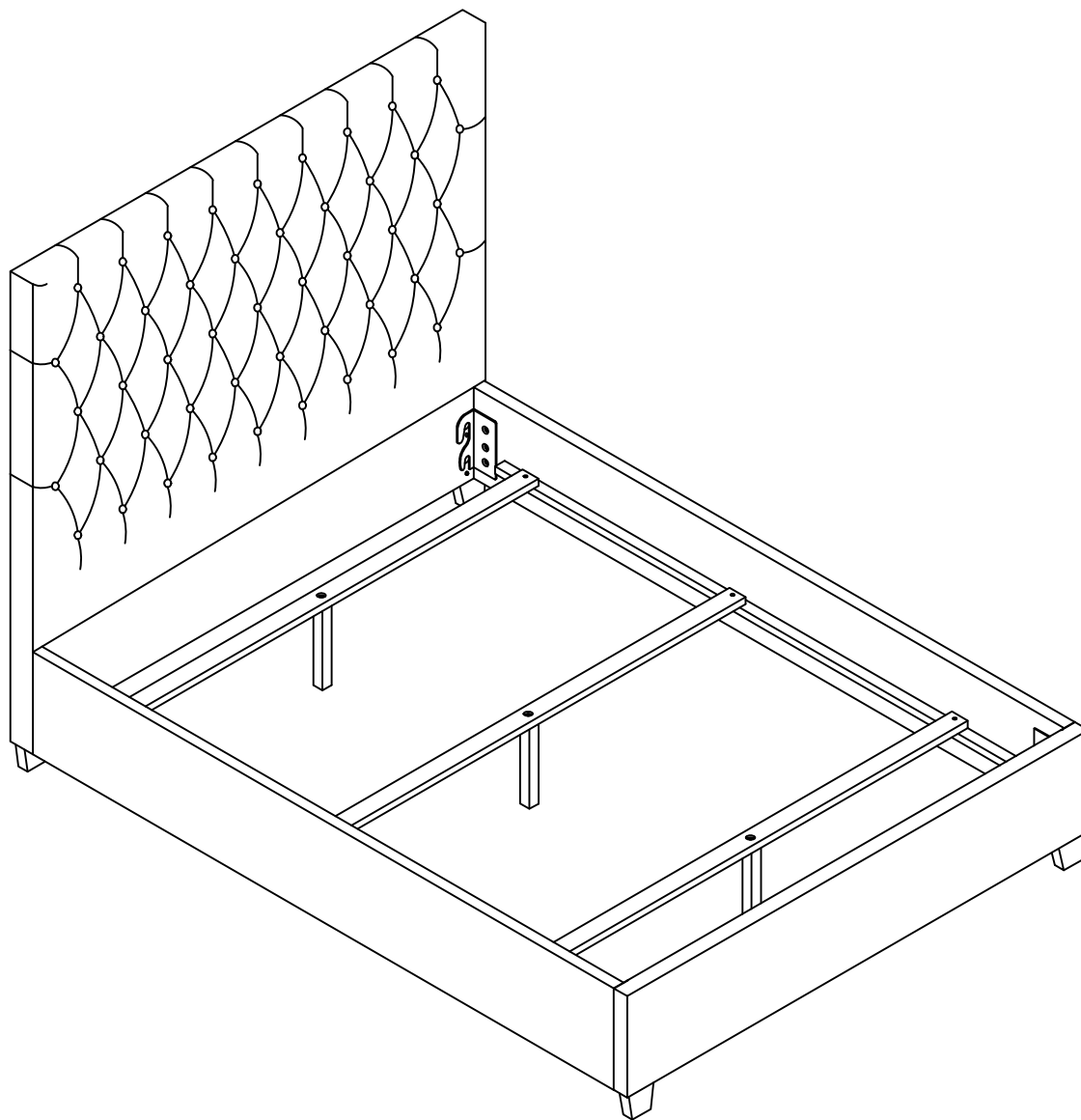
### STEP 2



### STEP 3



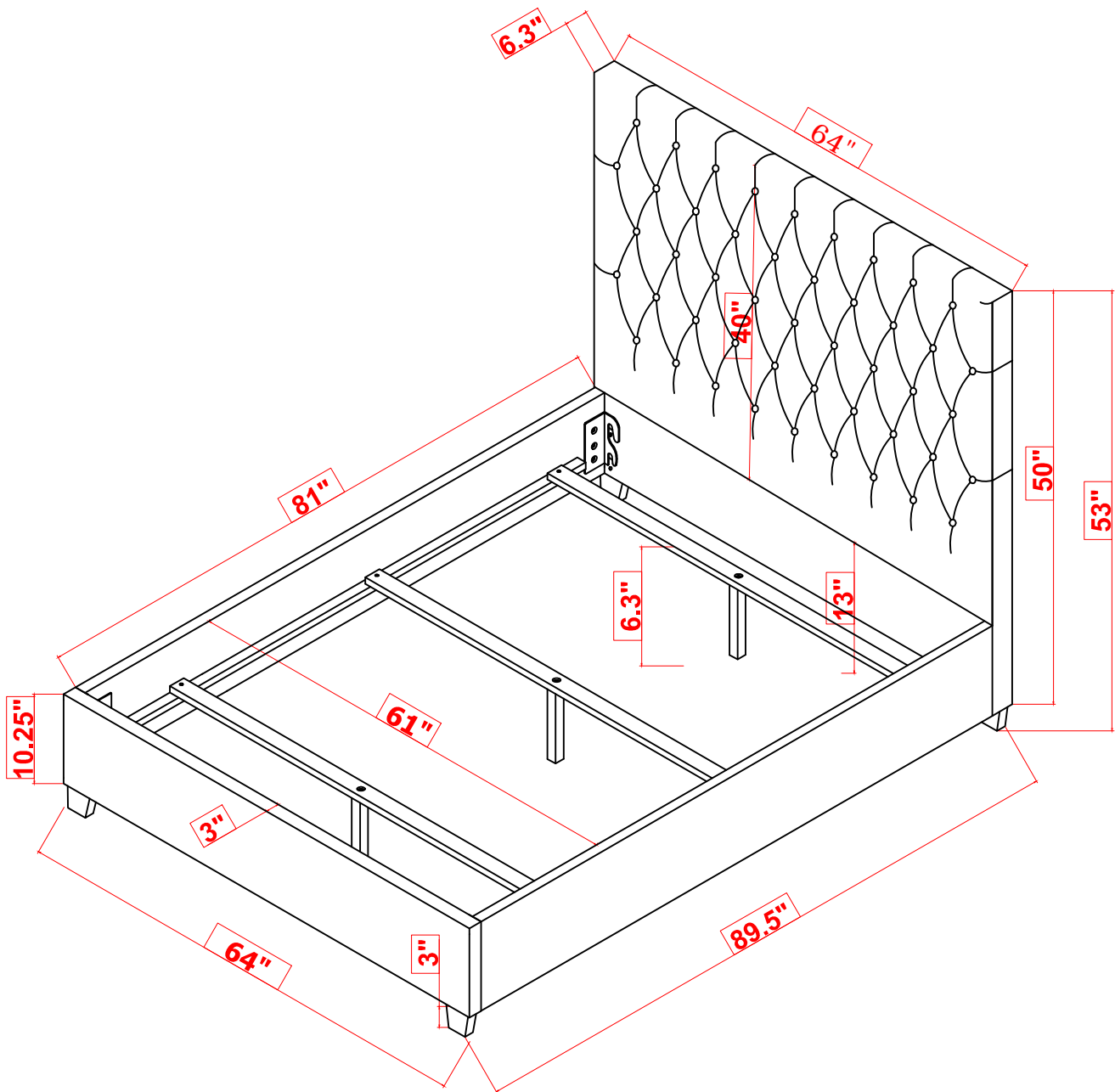
ITEM: **300007Q(B1&B2)**  
**ASSEMBLY INSTRUCTIONS**  
**STEP 4**  
**COMPLETE**



ITEM:300007Q(B1&B2)

**COASTER**  
FINE FURNITURE

INNER SIZE:81"X61"



NOTE:Dimension tolerance±5%

COASTERFURNITURE.COM