

**ASSEMBLY INSTRUCTIONS**  
**COASTER FINE FURNITURE**



*Fine Furniture for every stage of life*

**222731Q (B1-B4)**  
**Queen Bed**

# ITEM: 222731Q (B1-B4)



## ASSEMBLY INSTRUCTIONS

### ASSEMBLY TIPS:

1. Remove hardware from box and sort by size.
2. Please check to see that all hardware and parts are present prior to start of assembly.
3. Please follow attached instructions in the same sequence as numbered to assure fast & easy assembly.



### WARNING!

1. Don't attempt to repair or modify parts that are broken or defective. Please contact the store immediately.
2. This product is for home use only and not intended for commercial establishments.



ASSEMBLY TIME

30 MINUTES

## PARTS IDENTIFICATION

### B1 (BOX 1)

A HEADBOARD PANEL



1PC

B HEADBOARD BOTTOM RAIL



1PC

### B2 (BOX 2)

C RIGHT HEADBOARD LEG



1PC

D LEFT HEADBOARD LEG



1PC

### B3 (BOX 3)

E FOOTBOARD



1PC

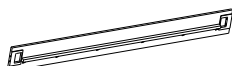
F FOOTBOARD FINAL



2PCS

### B4 (BOX 4)

G BED RAIL



2PCS

H BED SLAT SUPPORT WITH LEVELER



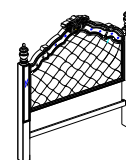
3PCS

I BED SLAT



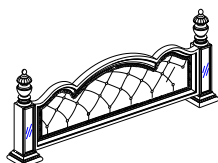
3PCS

222731Q ( B1 & B2 )  
HB FROM BOX 1 & BOX 2  
HEADBOARD  
COMPLETE



1PC

FB 222731Q (B3)  
FROM BOX 3  
FOOTBOARD  
COMPLETE



1PC

### NOTE:

Phillips head screw driver is required in the assembly process; however, manufacturer does not provide this item.

# ITEM: 222731Q (B1-B4)



## ASSEMBLY INSTRUCTIONS

### ASSEMBLY TIPS:

1. Remove hardware from box and sort by size.
2. Please check to see that all hardware and parts are present prior to start of assembly.
3. Please follow attached instructions in the same sequence as numbered to assure fast & easy assembly.

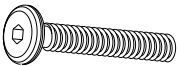





### WARNING!



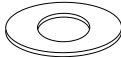
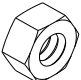


1. Don't attempt to repair or modify parts that are broken or defective. Please contact the store immediately.
2. This product is for home use only and not intended for commercial establishments.

## HARDWARE IDENTIFICATION

### Z-B2 (BOX 2) - HARDWARE PACK IS LOCATED IN 222731Q (B2)

1	<b>BOLT</b> ( $\varnothing$ 5/16" x 50MM - RBW)		12PCS	2	<b>LOCK WASHER</b> ( $\varnothing$ 5/16" - RBW)		12PCS
3	<b>FLAT WASHER</b> ( $\varnothing$ 5/16" - RBW)		12PCS	4	<b>ALLEN WRENCH</b> (4MM - RBW)		1PC

### Z-B4 (BOX 4) - HARDWARE PACK IS LOCATED IN 222731Q (B4)

5	<b>THREADED BOLT</b> ( $\varnothing$ 5/16" x 3-1/2" - RBW)		8PCS	6	<b>LOCK WASHER</b> ( $\varnothing$ 5/16" - RBW)		8PCS
7	<b>FLAT WASHER</b> ( $\varnothing$ 5/16" - RBW)		8PCS	8	<b>HEX NUT</b> ( $\varnothing$ 5/16" x 14mm - RBW)		8PCS
9	<b>WRENCH</b> (14MM - RBW)		1PC	10	<b>FLAT HEAD SCREW</b> ( $\varnothing$ 4 x 30mm - RBW)		6PCS

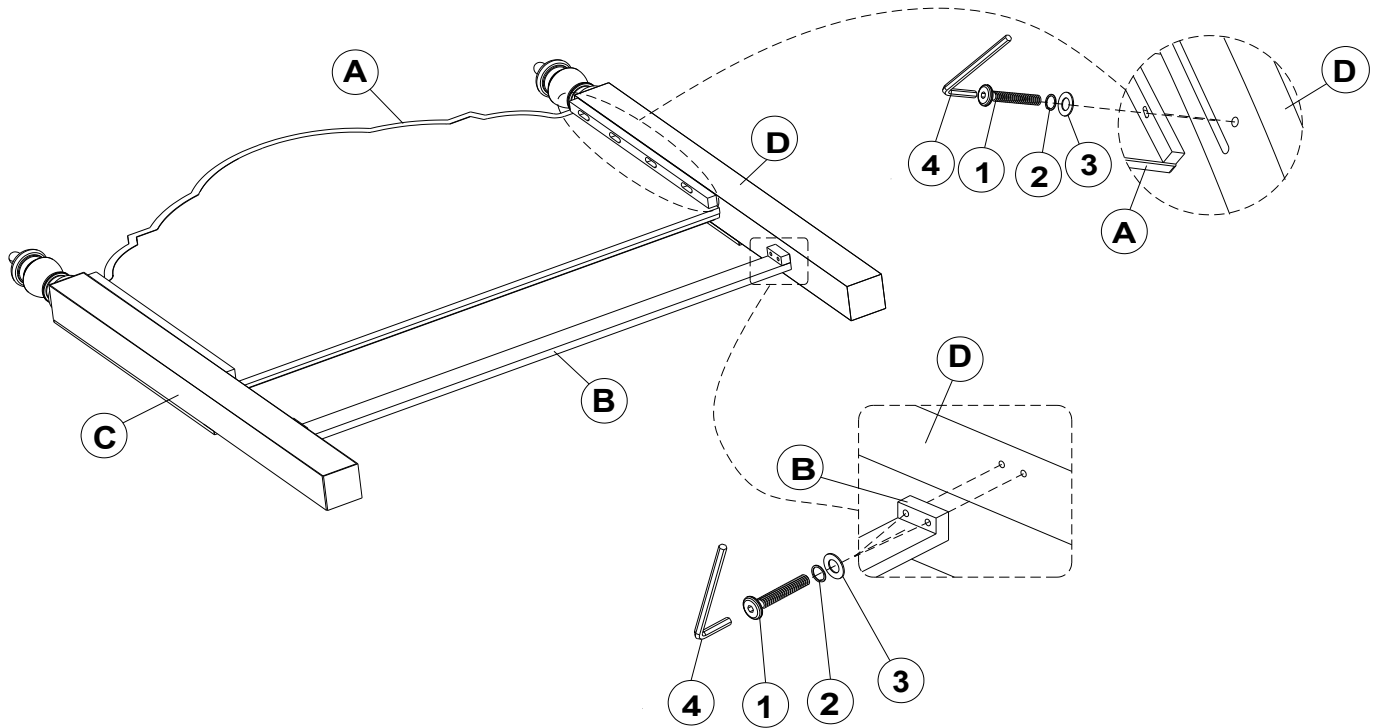
### NOTE:

Phillips head screw driver is required in the assembly process; however, manufacturer does not provide this item.

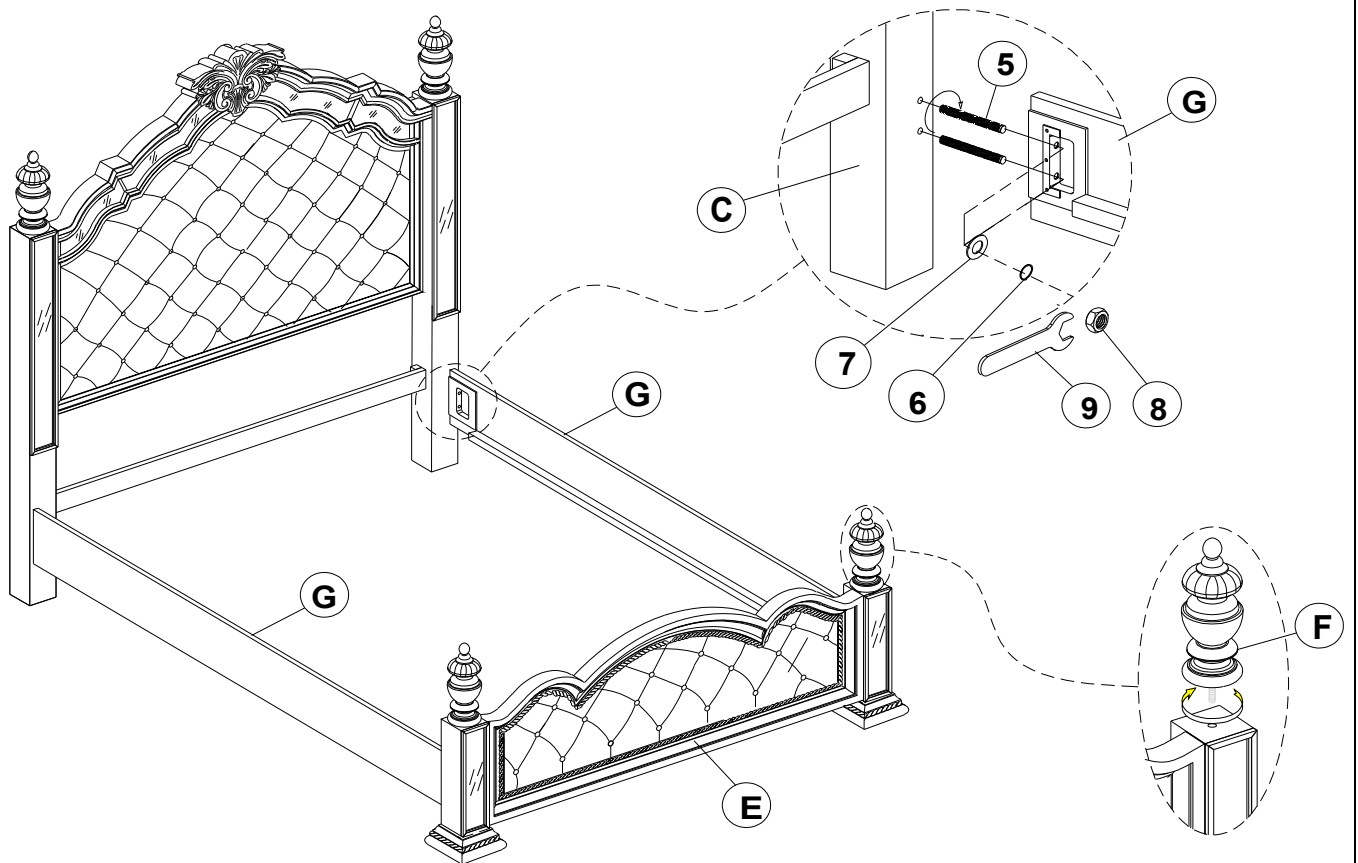
# ITEM: 222731Q (B1-B4)

## ASSEMBLY INSTRUCTIONS

### STEP 1



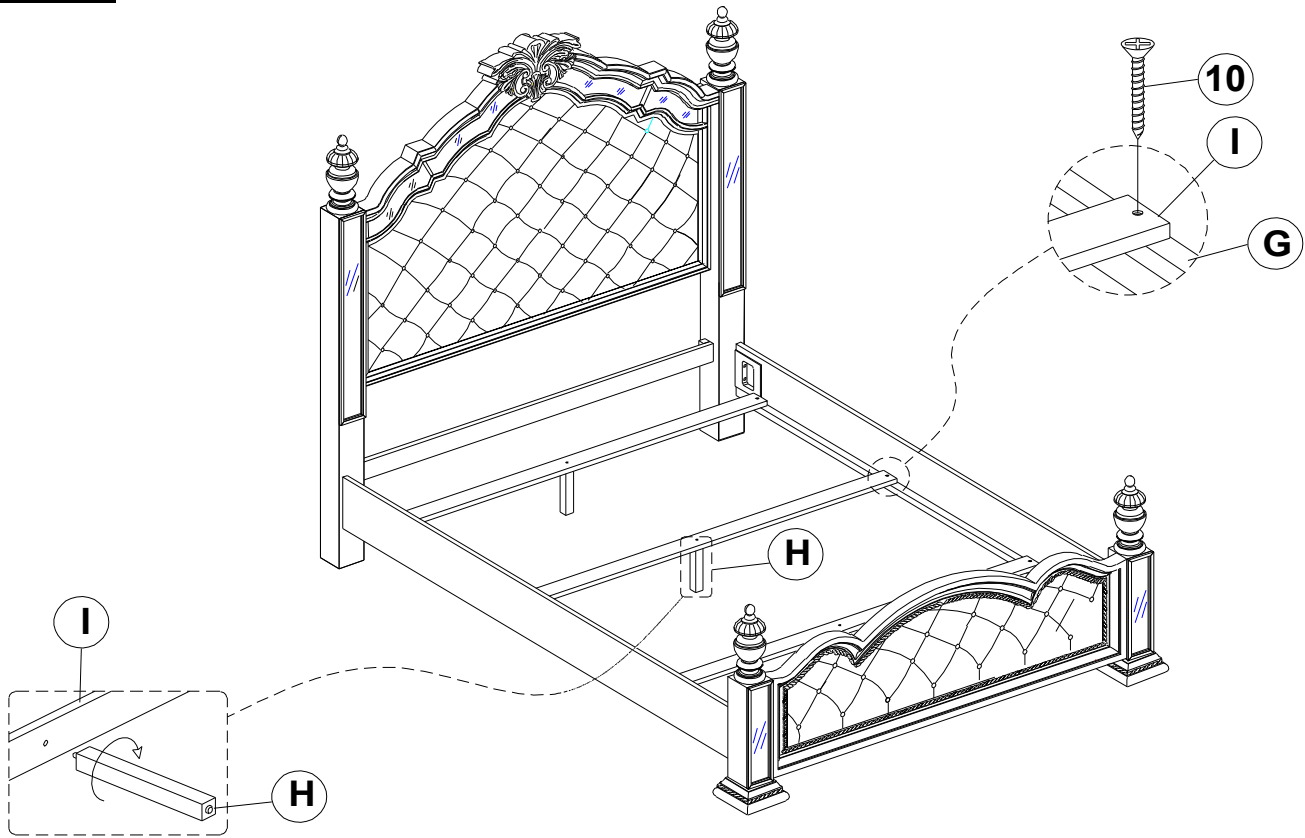
### STEP 2



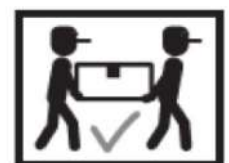
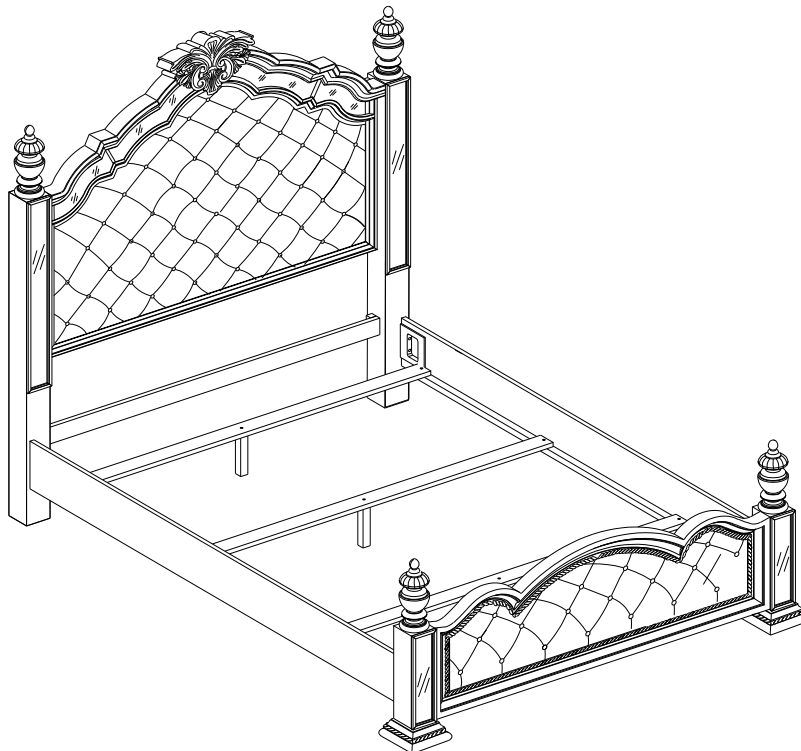
ITEM: **222731Q (B1-B4)**

**ASSEMBLY INSTRUCTIONS**

**STEP 3**



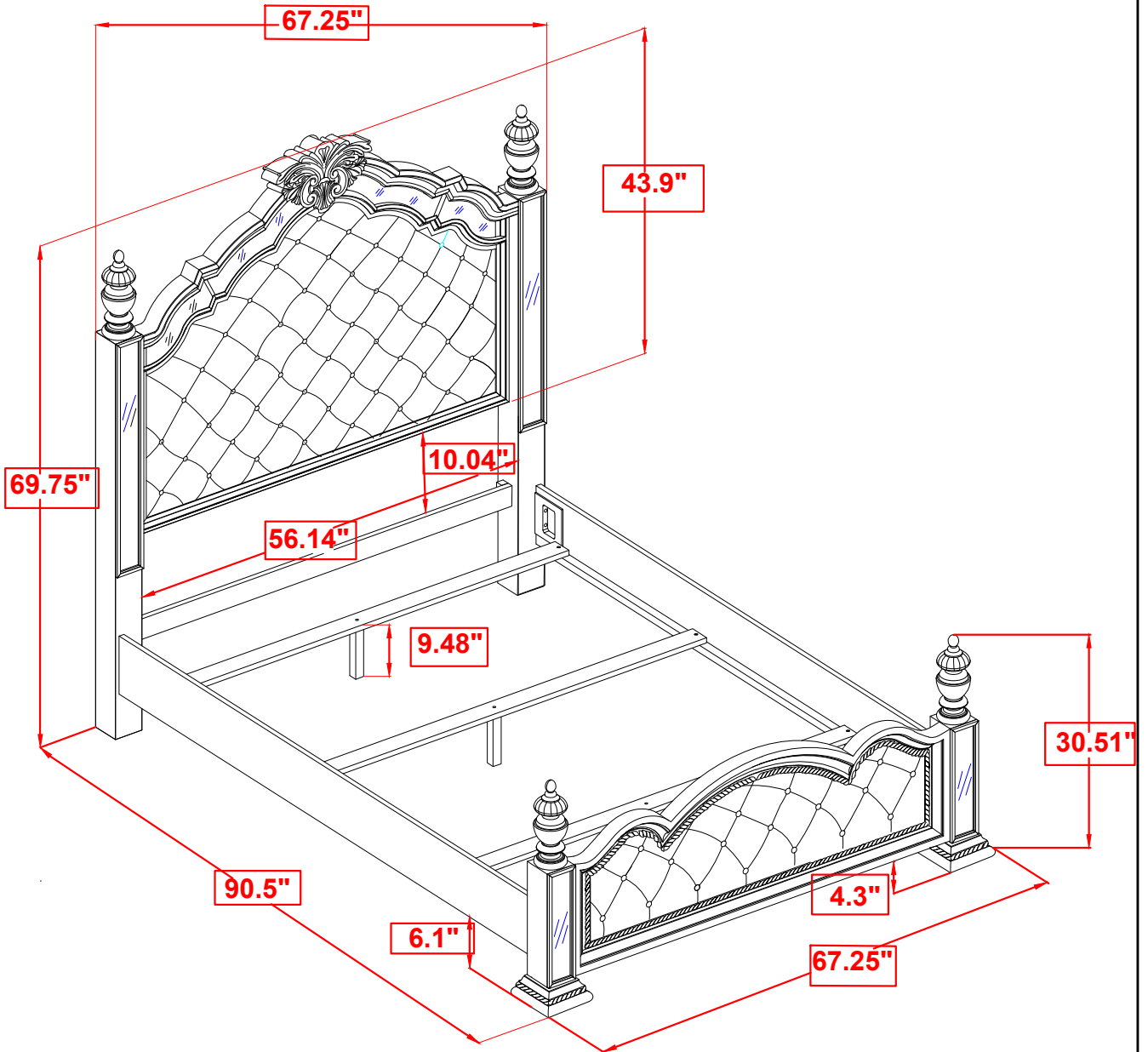
**STEP 4**  
**COMPLETE**



ITEM: 222731Q (B1-B4)



INNER SIZE : 61.22" X 81.1"



**Note :** Dimension tolerance  $\pm 5\%$