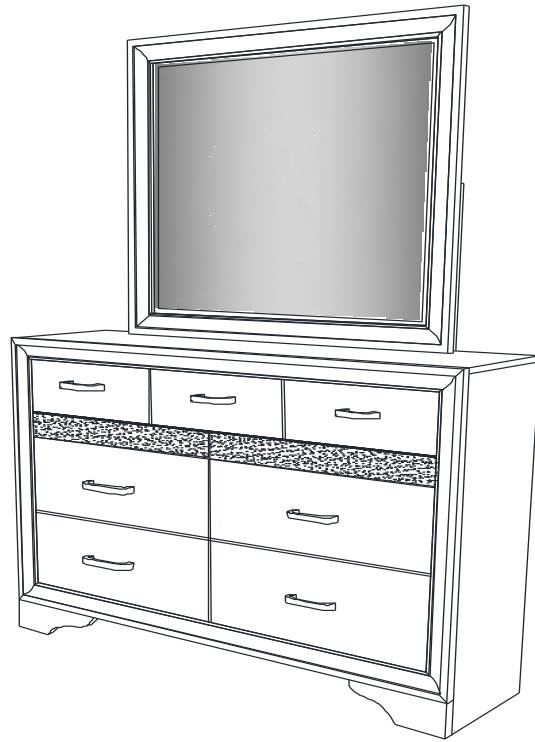


ASSEMBLY INSTRUCTIONS
COASTER FINE FURNITURE



Fine Furniture for every stage of life

206364
Mirror

REVISION 0 : 05/23/2017
REVISION 1 : 09/07/2018
REVISION 2 : 12/06/2018
REVISION 3 : 10/25/2019

ITEM: **206364**

ASSEMBLY INSTRUCTIONS

ASSEMBLY TIPS:

1. Remove hardware from box and sort by size.
2. Please check to see that all hardware and parts are present prior to start of assembly.
3. Please follow attached instructions in the same sequence as numbered to assure fast & easy assembly.



WARNING!

1. Don't attempt to repair or modify parts that are broken or defective. Please contact the store immediately.
2. This product is for home use only and not intended for commercial establishments.

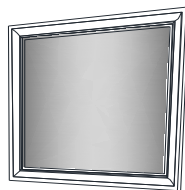


ASSEMBLY TIME

10 MINUTES

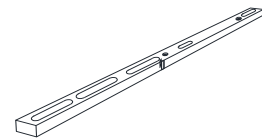
PARTS IDENTIFICATION

A MIRROR



1PC

C MIRROR
SUPPORT
(PACKED WITH DRESSER)



2PCS

B DRESSER
FROM BOX ITEM
#206363



1PC

HARDWARE IDENTIFICATION

1 SHORT BOLT
(M6 x 35mm - BLK)



4PCS

2 LONG BOLT
(M6 x 40mm - BLK)



4PCS

3 LOCK WASHER
(1/4" - BLK)



8PCS

4 FLAT WASHER
(1/4"ID x 19mm -
BLK)



8PCS

5 ALLEN
WRENCH
(M4 x 60MM - BLK)



1PC

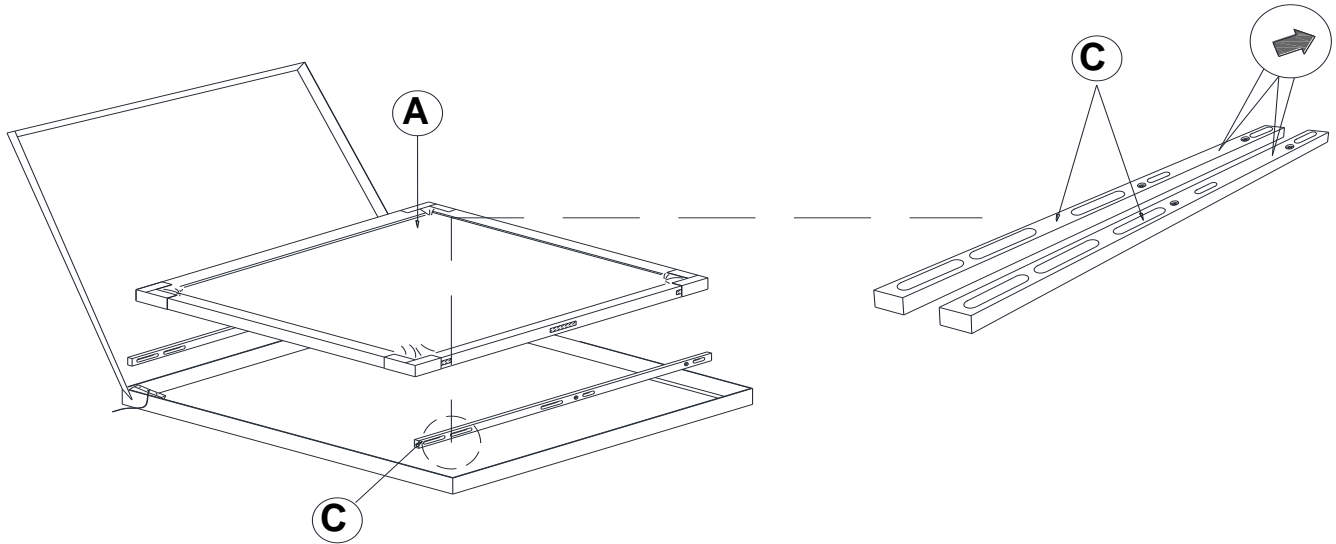
ITEM: 206364



ASSEMBLY INSTRUCTIONS

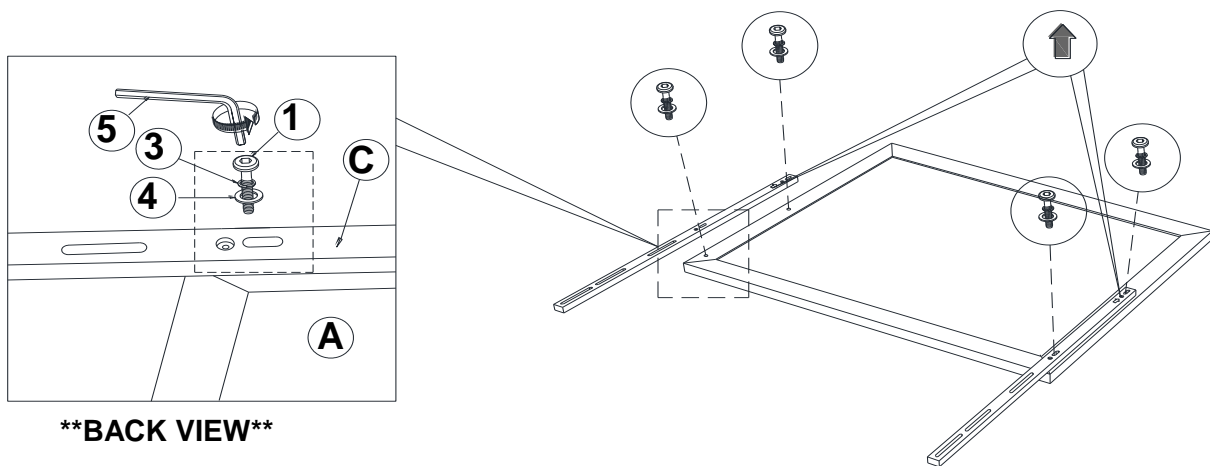
STEP 1

ARROW MARKING FACE UPWARD



STEP 2

ARROW MARKING FACE UPWARD



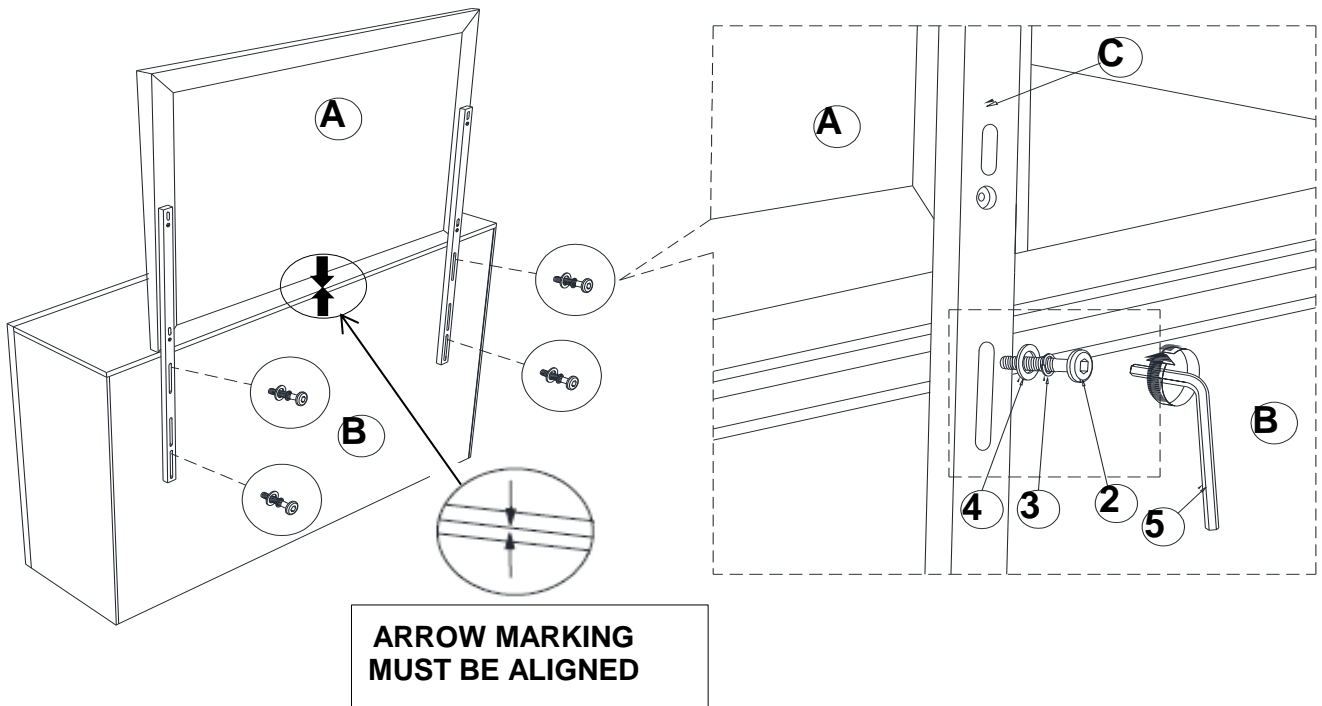
****BACK VIEW****

ITEM: 206364

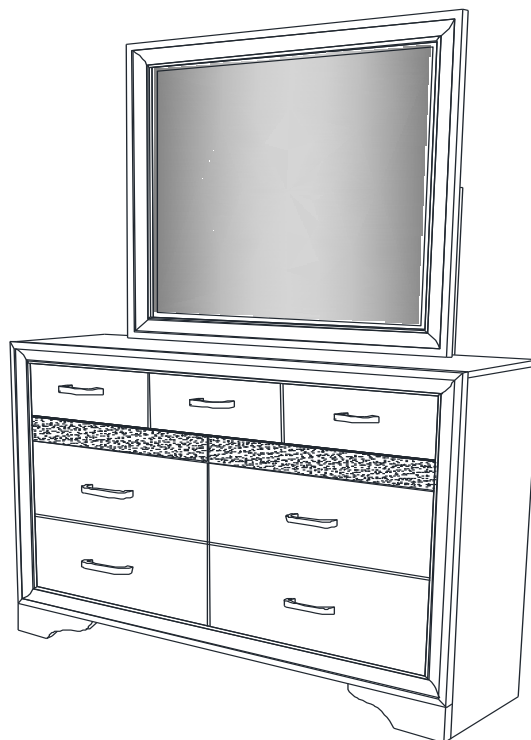


ASSEMBLY INSTRUCTIONS

STEP 3

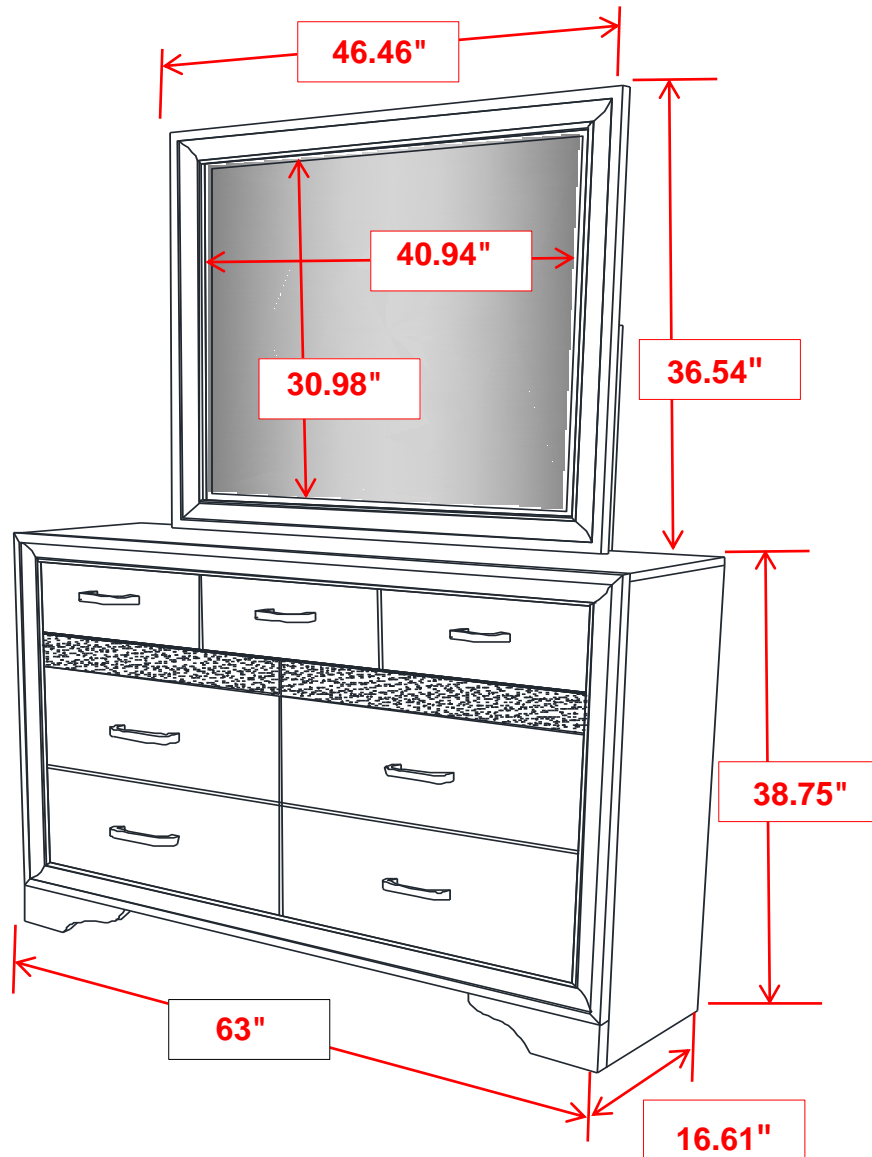


STEP 4 COMPLETE



ITEM: 206364

COASTER
FINE FURNITURE



Note : Dimension tolerance $\pm 5\%$