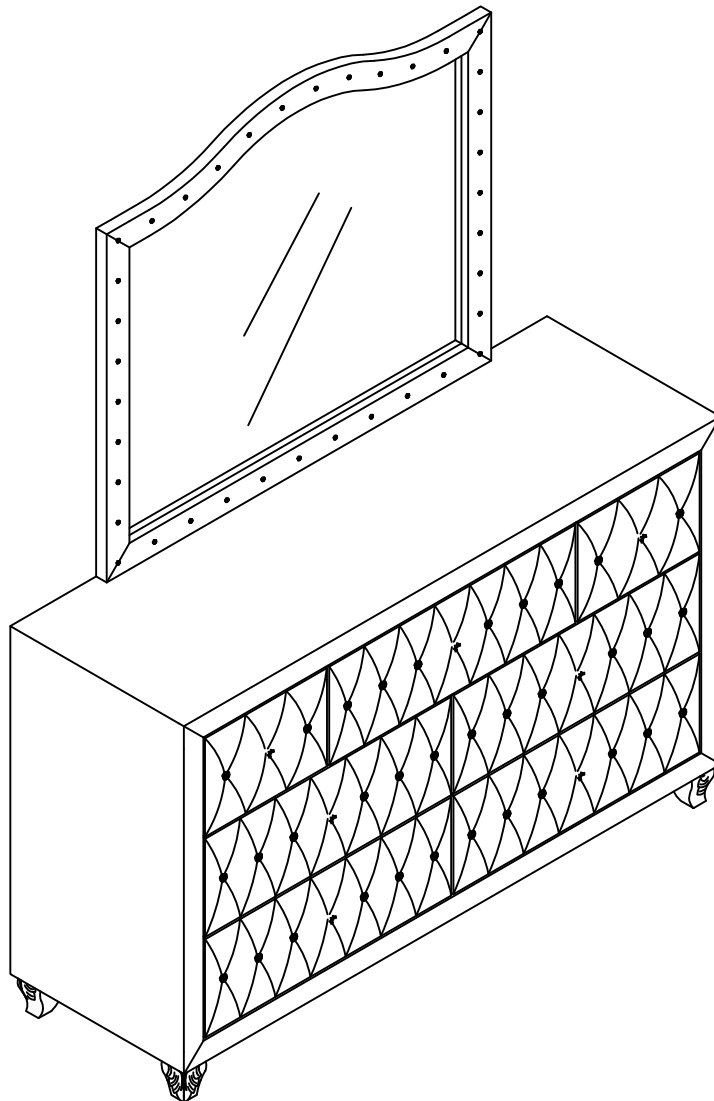


ASSEMBLY INSTRUCTIONS
COASTER FINE FURNITURE



Fine Furniture for every stage of life

206104
Mirror

ITEM: **206104**



ASSEMBLY INSTRUCTIONS

ASSEMBLY TIPS:

1. Remove hardware from box and sort by size.
2. Please check to see that all hardware and parts are present prior to start of assembly.
3. Please follow attached instructions in the same sequence as numbered to assure fast & easy assembly.



WARNING!

1. Don't attempt to repair or modify parts that are broken or defective. Please contact the store immediately.
2. This product is for home use only and not intended for commercial establishments.

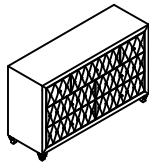


ASSEMBLY TIME

10 MINUTES

PARTS IDENTIFICATION

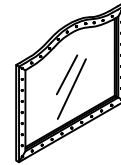
A **DRESSER**
FROM BOX ITEM
#206103



1PC

B

MIRROR



1PC

C **MIRROR SUPPORT**
(PACKED WITH MIRROR)



2PCS

HARDWARE IDENTIFICATION

1 **ALLEN WRENCH**
(4MM - RBW)



1PC

3

LOCK WASHER
(Ø1/4" - RBW)



8PCS

2 **BOLT**
(Ø1/4" x 45mm - RBW)



8PCS

4

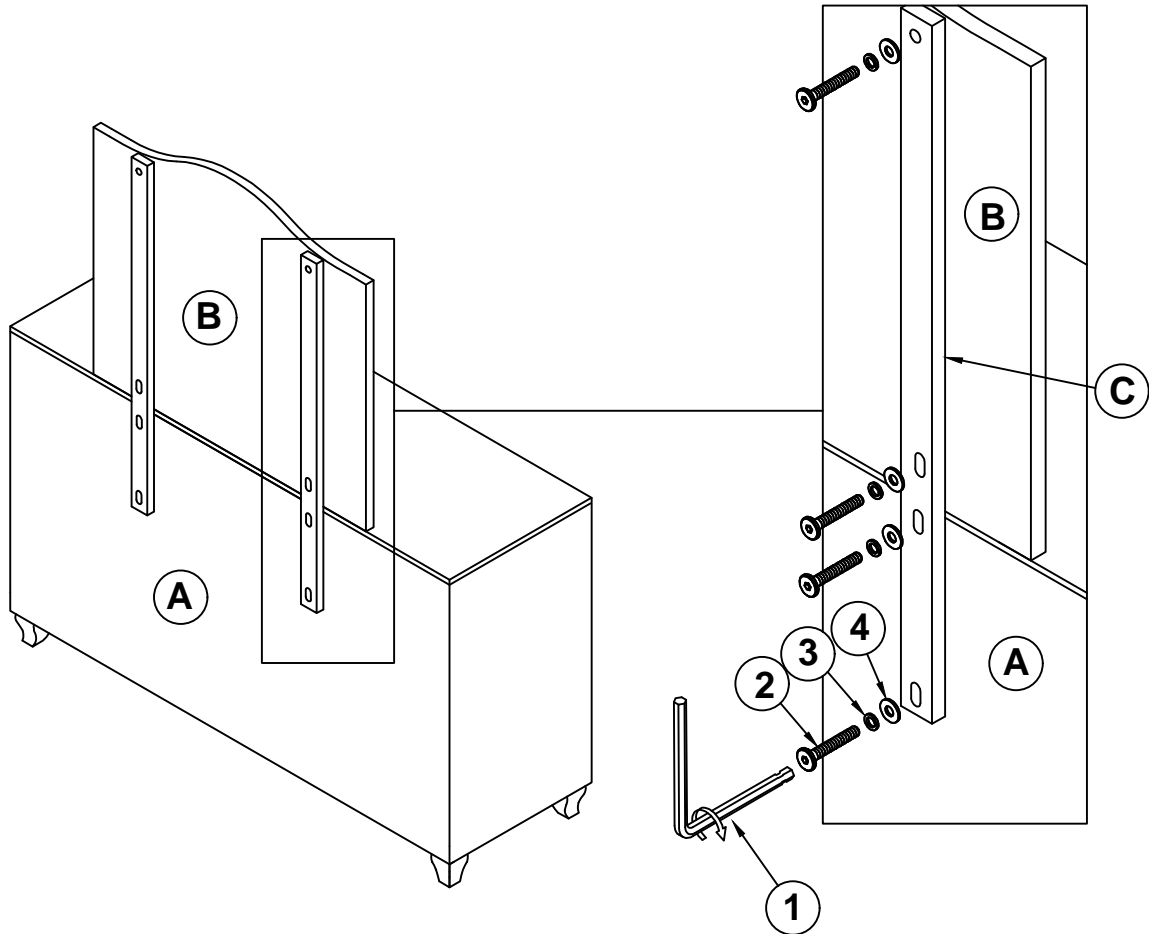
FLAT WASHER
(Ø1/4" x 19 x 1.5mm - RBW)



8PCS

ITEM: **206104**

ASSEMBLY INSTRUCTIONS
STEP 1



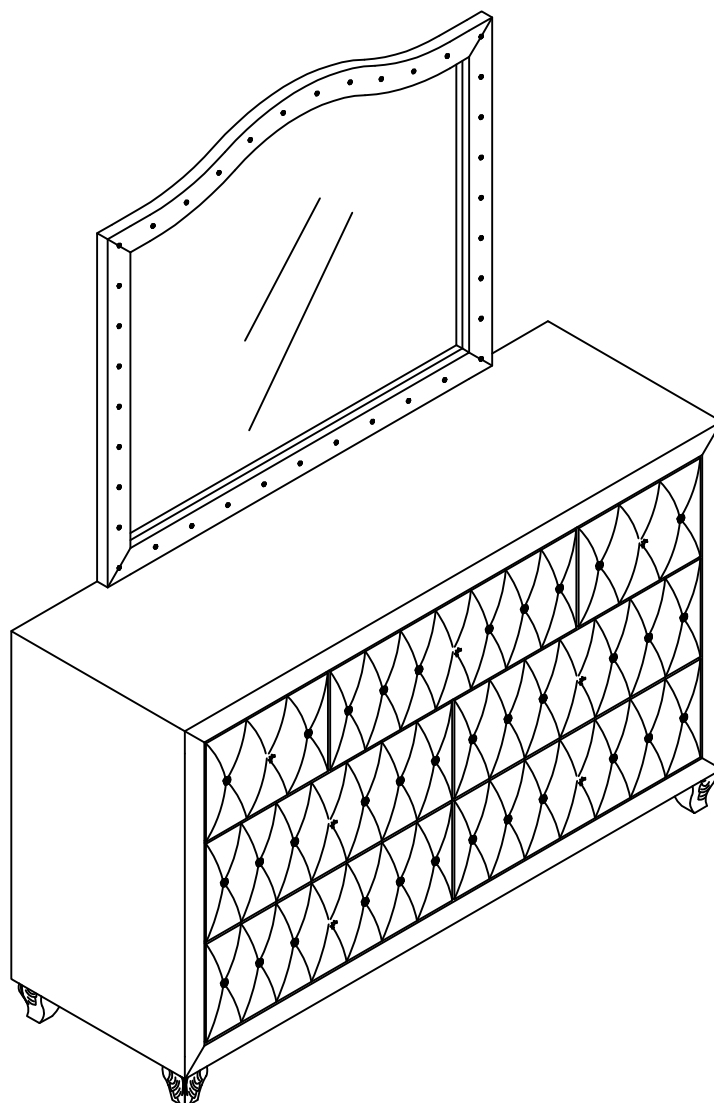
ITEM: **206104**



ASSEMBLY INSTRUCTIONS

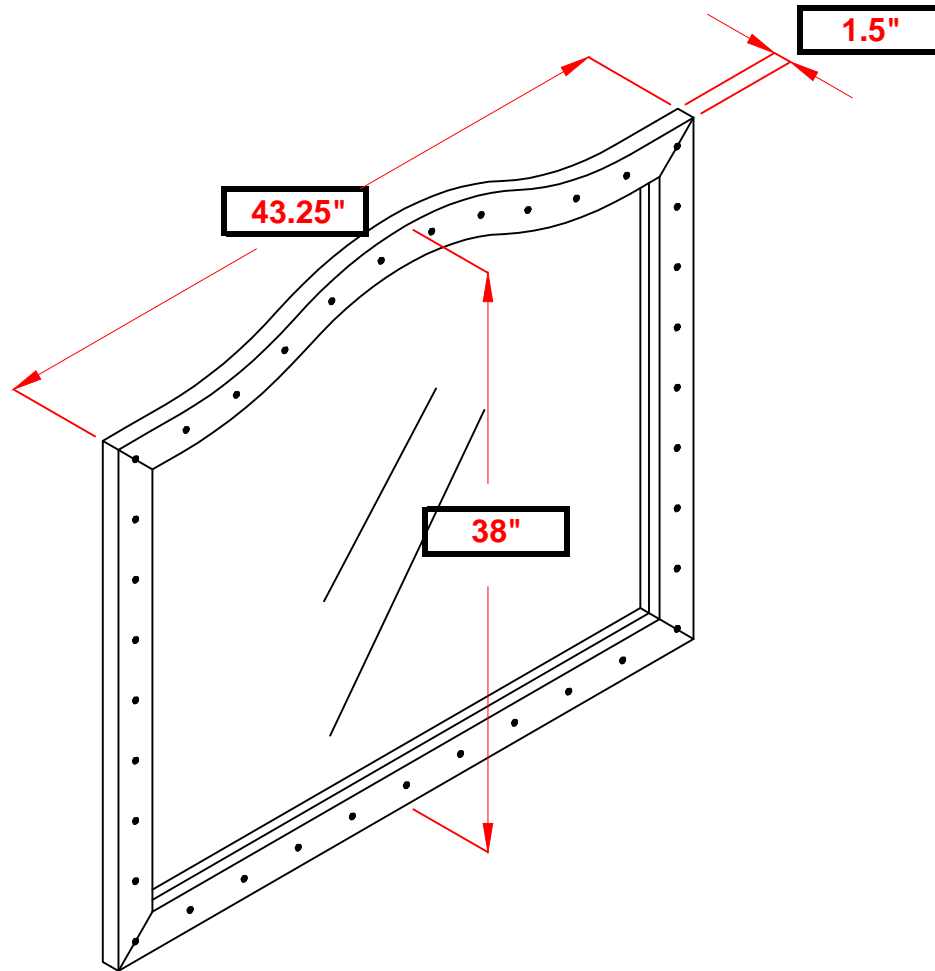
STEP 2

COMPLETE



ITEM: 206104

COASTER
FINE FURNITURE



Note : Dimension tolerance $\pm 5\%$