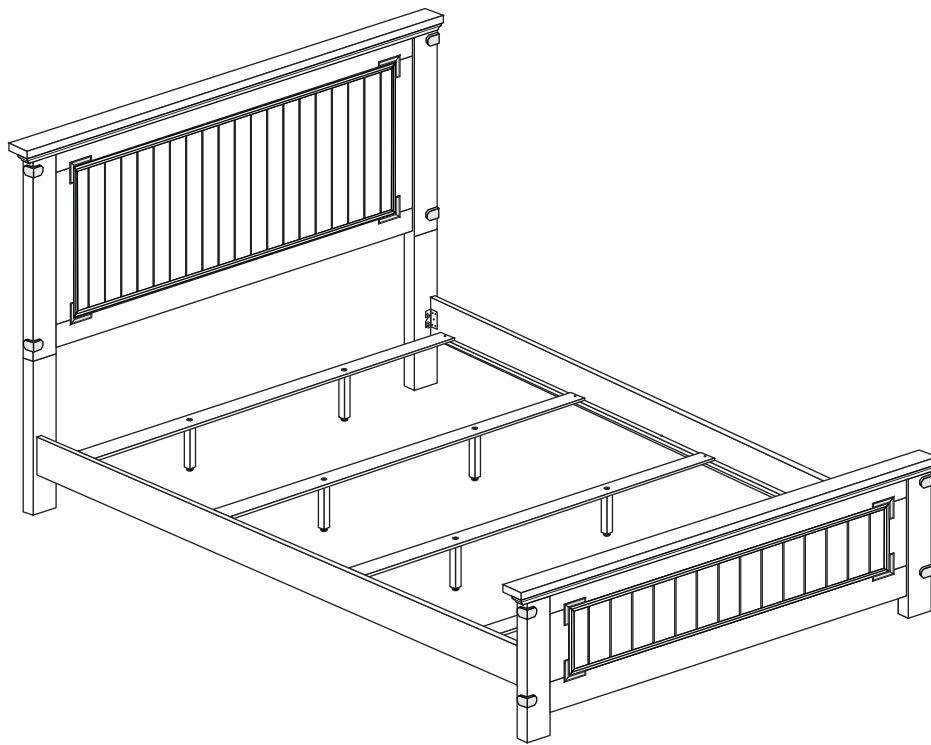


ASSEMBLY INSTRUCTIONS
COASTER FINE FURNITURE



Fine Furniture for every stage of life

205261KE (B1 & B2)
Eastern King Bed

REVISION 0:07/27/2016
REVISION 1:11/20/2018
REVISION 2:01/14/2020

COASTERFURNITURE.COM

ITEM: 205261KE (B1 & B2)

ASSEMBLY INSTRUCTIONS



ASSEMBLY TIPS:

1. Remove hardware from box and sort by size.
2. Please check to see that all hardware and parts are present prior to start of assembly.
3. Please follow attached instructions in the same sequence as numbered to assure fast & easy assembly.



WARNING!

1. Don't attempt to repair or modify parts that are broken or defective. Please contact the store immediately.
2. This product is for home use only and not intended for commercial establishments.



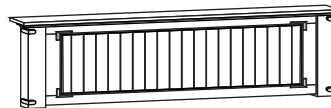
ASSEMBLY TIME

20 MINUTES

PARTS IDENTIFICATION

B1 (BOX 1)

A HEADBOARD PANEL



1PC

B RIGHT HEADBOARD LEG



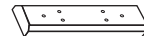
1PC

C LEFT HEADBOARD LEG



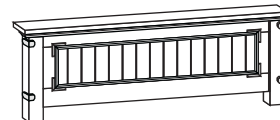
1PC

D WOOD CLEAT



2PCS

E FOOTBOARD



1PC

B2 (BOX 2)

F BED RAIL



2PCS

G BED SLAT



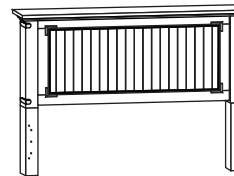
4PCS

H BED SLAT SUPPORT WITH LEVELER



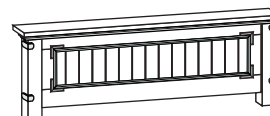
8PCS

HB 205261KE (B1)
FROM BOX 1
HEADBOARD COMPLETE



1PC

E 205261KE (B1)
FROM BOX 1
FOOTBOARD



1PC

ITEM: 205261KE (B1 & B2)

ASSEMBLY INSTRUCTIONS



ASSEMBLY TIPS:

1. Remove hardware from box and sort by size.
2. Please check to see that all hardware and parts are present prior to start of assembly.
3. Please follow attached instructions in the same sequence as numbered to assure fast & easy assembly.











WARNING!

1. Don't attempt to repair or modify parts that are broken or defective. Please contact the store immediately.
2. This product is for home use only and not intended for commercial establishments.

HARDWARE IDENTIFICATION

Z-B2 (BOX 2) - HARDWARE PACK IS LOCATED IN 205261KE (B2)

| | | | |
|---|--|---|-------|
| 1 | LONG BOLT (M6 x 40mm - RBW) |  | 20PCS |
| 2 | SHORT BOLT (M8 x 20mm - RBW) |  | 8PCS |
| 3 | BIG FLAT WASHER (5/16" x 22mm - RBW) |  | 8PCS |
| 4 | SMALL FLAT WASHER (M6 x 13mm - RBW) |  | 12PCS |
| 5 | LOCK WASHER (M6 x 13mm - RBW) |  | 12PCS |
| 6 | FLAT HEAD SCREW (M4 x 30mm - RBW) |  | 8PCS |
| 7 | SMALL ALLEN WRENCH (M4 x 58mm- BLK) |  | 1PC |
| 8 | BIG ALLEN WRENCH (M5 x 67mm- BLK) |  | 1PC |

NOTE :

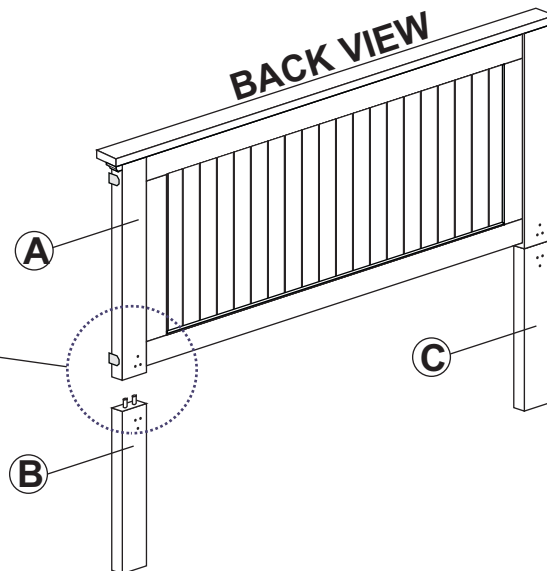
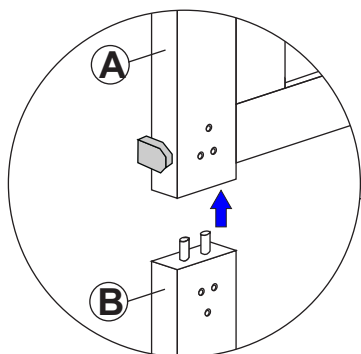
Phillips head screw driver is required in the assembly process; however, manufacturer does not provide this item.

ITEM: 205261KE (B1 & B2)

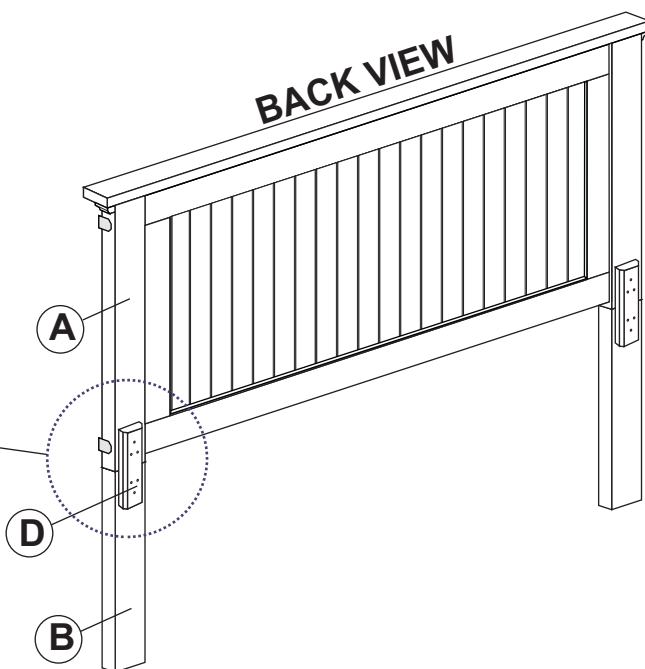
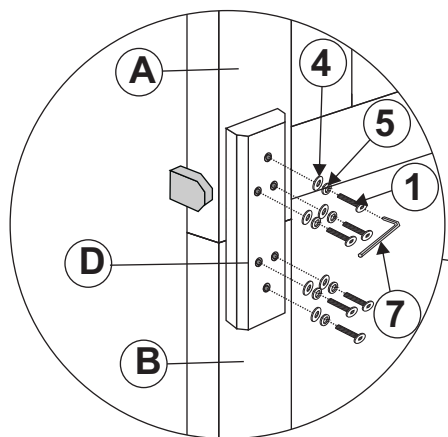
ASSEMBLY INSTRUCTIONS



STEP 1



STEP 2

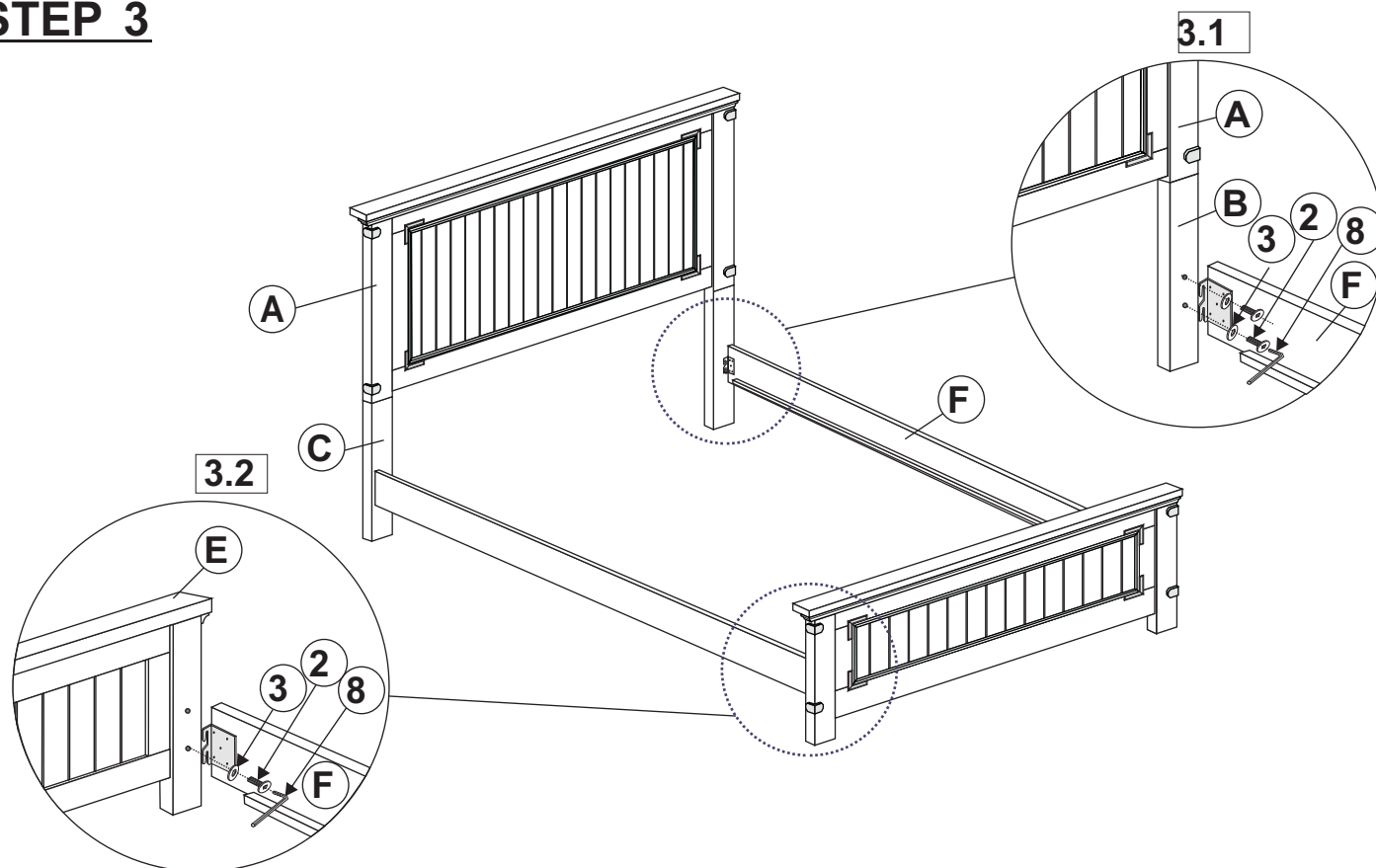


ITEM: 205261KE (B1 & B2)

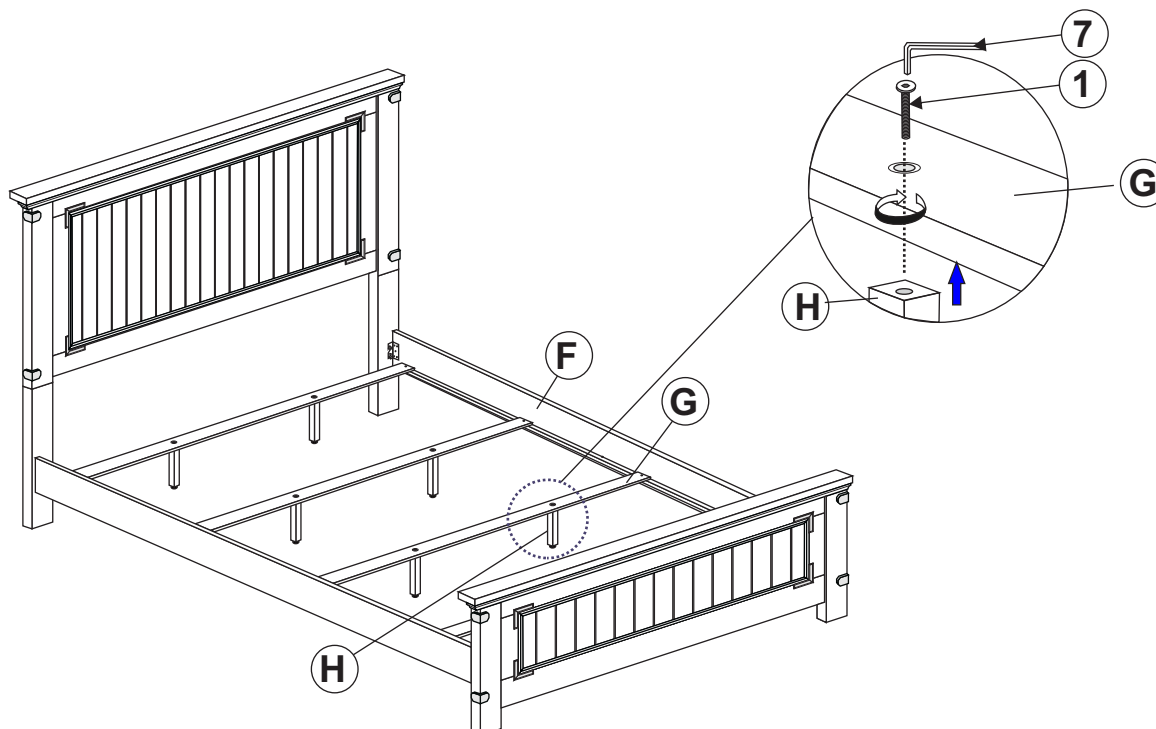
ASSEMBLY INSTRUCTIONS



STEP 3



STEP 4

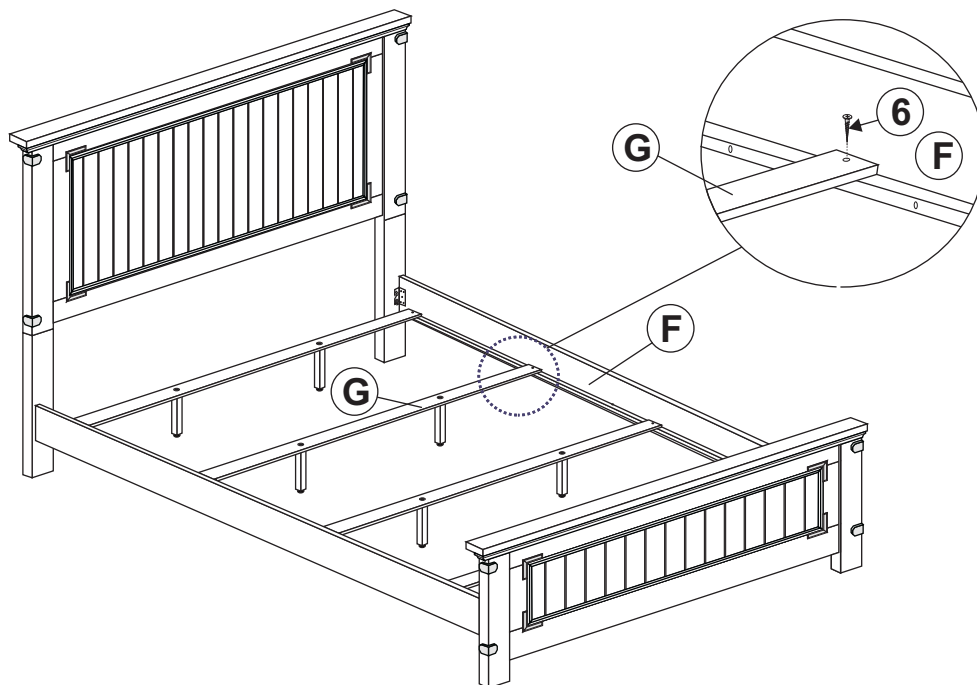


ITEM: 205261KE (B1 & B2)

ASSEMBLY INSTRUCTIONS

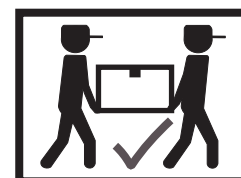
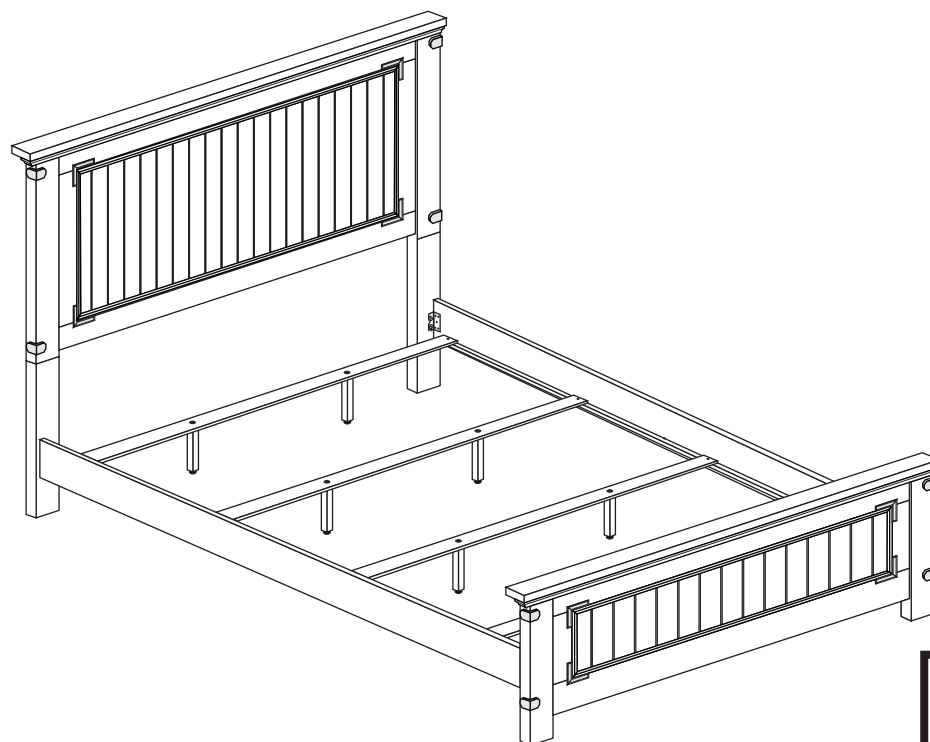


STEP 5

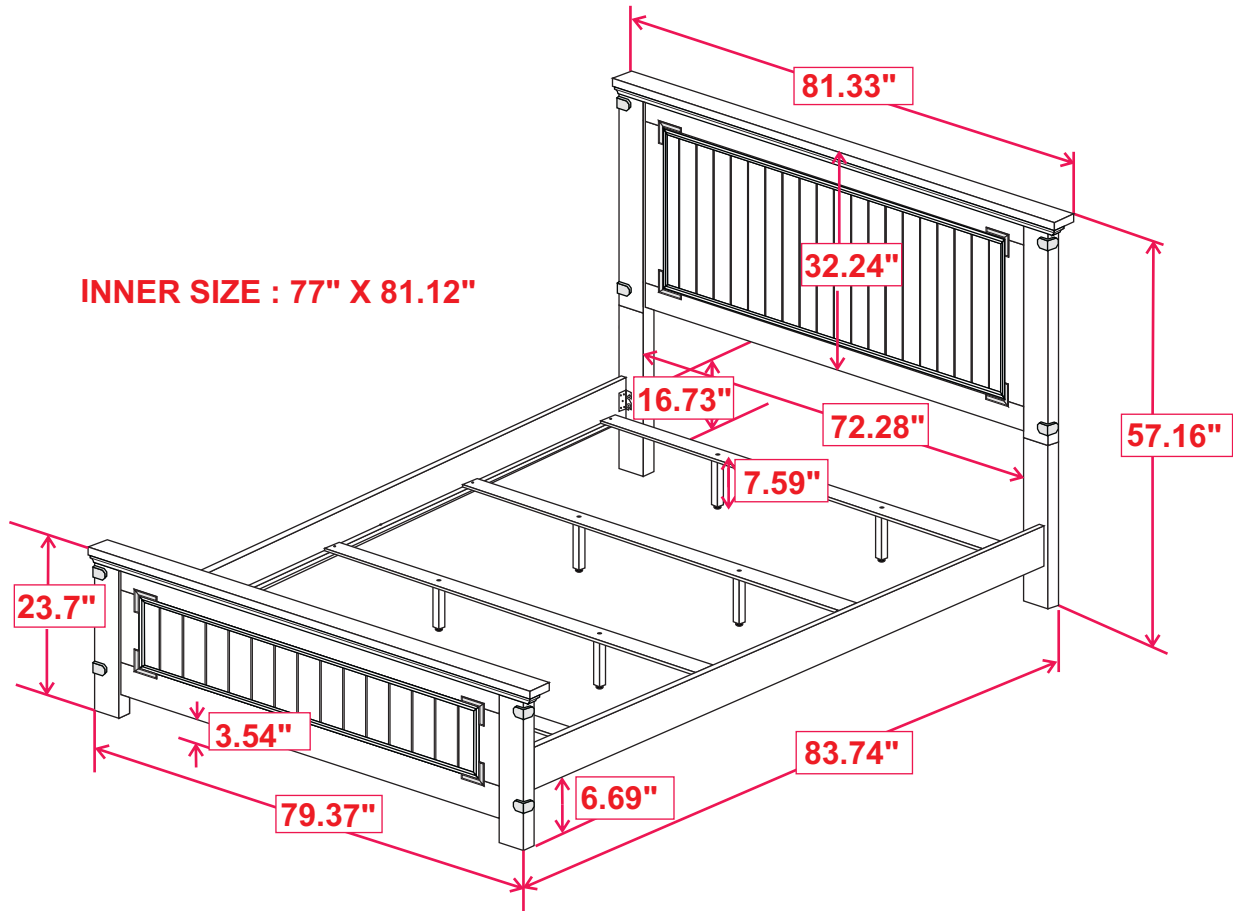


STEP 6

COMPLETE



ITEM:205261KE (B1 & B2)



Note : Dimension tolerance $\pm 5\%$