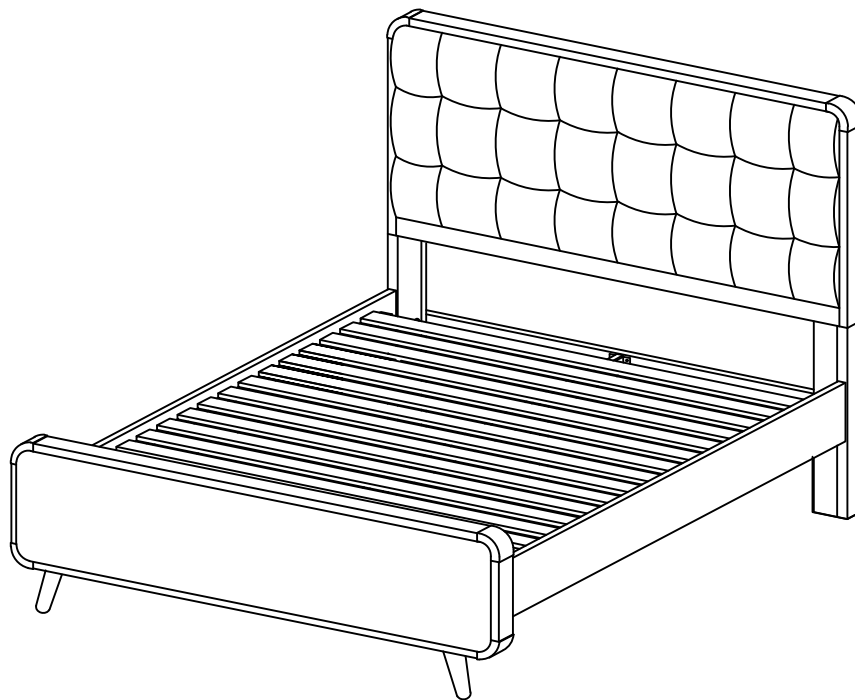


ASSEMBLY INSTRUCTIONS
COASTER FINE FURNITURE



Fine Furniture for every stage of life

205131Q (B1-B3)
Queen Bed

REVISION 0 : 08/17/2018
REVISION 1 : 12/04/2019

ITEM: 205131Q (B1-B3)



ASSEMBLY INSTRUCTIONS

ASSEMBLY TIPS:

1. Remove hardware from box and sort by size.
2. Please check to see that all hardware and parts are present prior to start of assembly.
3. Please follow attached instructions in the same sequence as numbered to assure fast & easy assembly.



WARNING!

1. Don't attempt to repair or modify parts that are broken or defective. Please contact the store immediately.
2. This product is for home use only and not intended for commercial establishments.



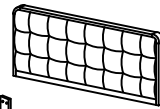
ASSEMBLY TIME

35 MINUTES

PARTS IDENTIFICATION

B1 (BOX 1)

AM HEADBOARD PANEL



1PC

BM LEFT HEADBOARD LEG



1PC

CM RIGHT HEADBOARD LEG



1PC

DM HEADBOARD BOTTOM RAIL



1PC

B2 (BOX 2)

EM FOOTBOARD PANEL



1PC

FM FOOTBOARD LEG



2PCS

B3 (BOX 3)

GM BED RAIL



2PCS

HM CENTER RAIL



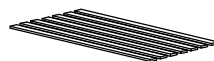
1PC

IM CENTER RAIL SUPPORT
WITH LEVELER



2PCS

JM ROLL SLAT
(7PCS)



2SETS

ITEM: 205131Q (B1-B3)



ASSEMBLY INSTRUCTIONS

ASSEMBLY TIPS:

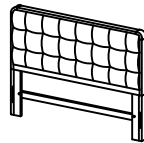
1. Remove hardware from box and sort by size.
2. Please check to see that all hardware and parts are present prior to start of assembly.
3. Please follow attached instructions in the same sequence as numbered to assure fast & easy assembly.



WARNING!

1. Don't attempt to repair or modify parts that are broken or defective. Please contact the store immediately.
2. This product is for home use only and not intended for commercial establishments.

HB 205131Q (B1)
FROM BOX 1
HEADBOARD COMPLETE



1PC

FB 205131Q (B2)
FROM BOX 2
FOOTBOARD COMPLETE



1PC

ITEM: 205131Q (B1-B3)



ASSEMBLY INSTRUCTIONS

ASSEMBLY TIPS:

1. Remove hardware from box and sort by size.
2. Please check to see that all hardware and parts are present prior to start of assembly.
3. Please follow attached instructions in the same sequence as numbered to assure fast & easy assembly.














WARNING!

1. Don't attempt to repair or modify parts that are broken or defective. Please contact the store immediately.
2. This product is for home use only and not intended for commercial establishments.

HARDWARE IDENTIFICATION

Z-B3 (BOX 3) - HARDWARE PACK IS LOCATED IN 205131Q (B3)

1	ALLEN WRENCH (M4 x 110mm - BLK)		1PC
2	SHORT BOLT (M6 x 25mm - BLK)		8PCS
3	MEDIUM BOLT (M6 x 45mm - BLK)		12PCS
4	LONG BOLT (M6 x 60mm - BLK)		4PCS
5	LOCK WASHER (5/16" - BLK)		22PCS
6	FLAT WASHER (5/16" x 18 x 1.2 - BLK)		22PCS
7	SHORT FLAT HEAD SCREW (M4 x 20mm - BLK)		8PCS
8	LONG FLAT HEAD SCREW (#8 x1 1/8" - BLK)		28PCS
9	HEX NUT (M6 - RBW)		2PCS
10	U BRACKET (26 x 63 x 70mm - RBW)		2PCS
11	WRENCH (2 x 24.5 x 85 - RBW)		1PC

NOTE:

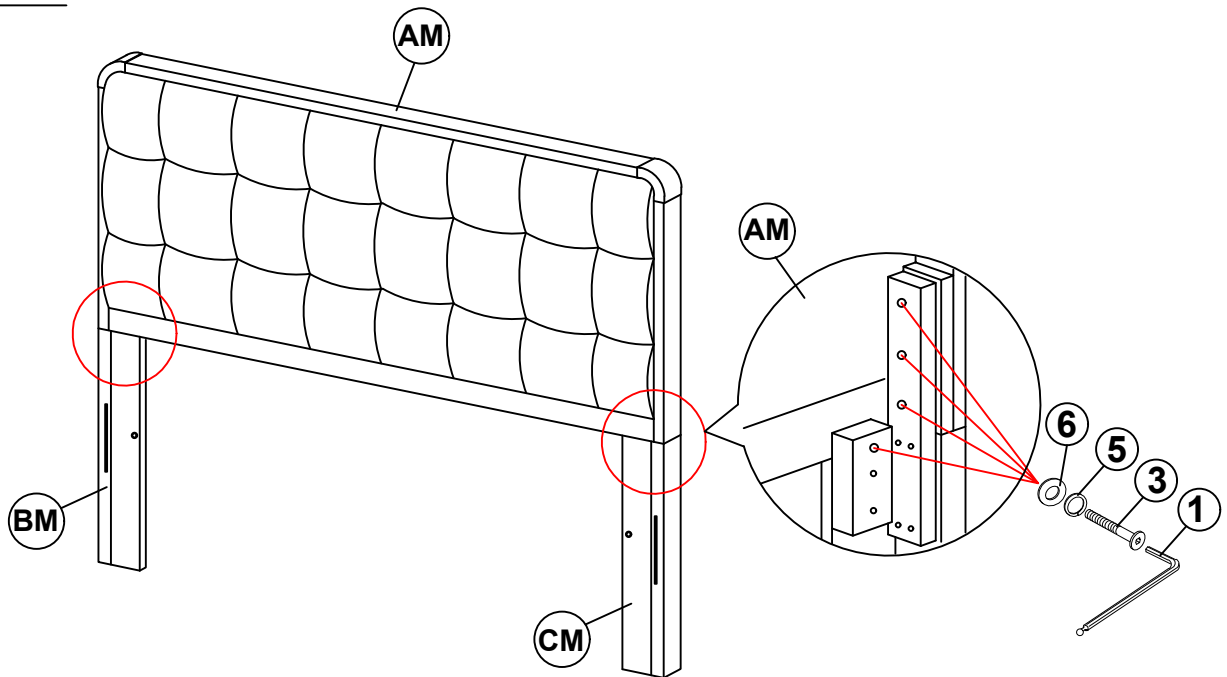
Phillips head screw driver is required in the assembly process; however, manufacturer does not provide this item.

ITEM: 205131Q (B1-B3)

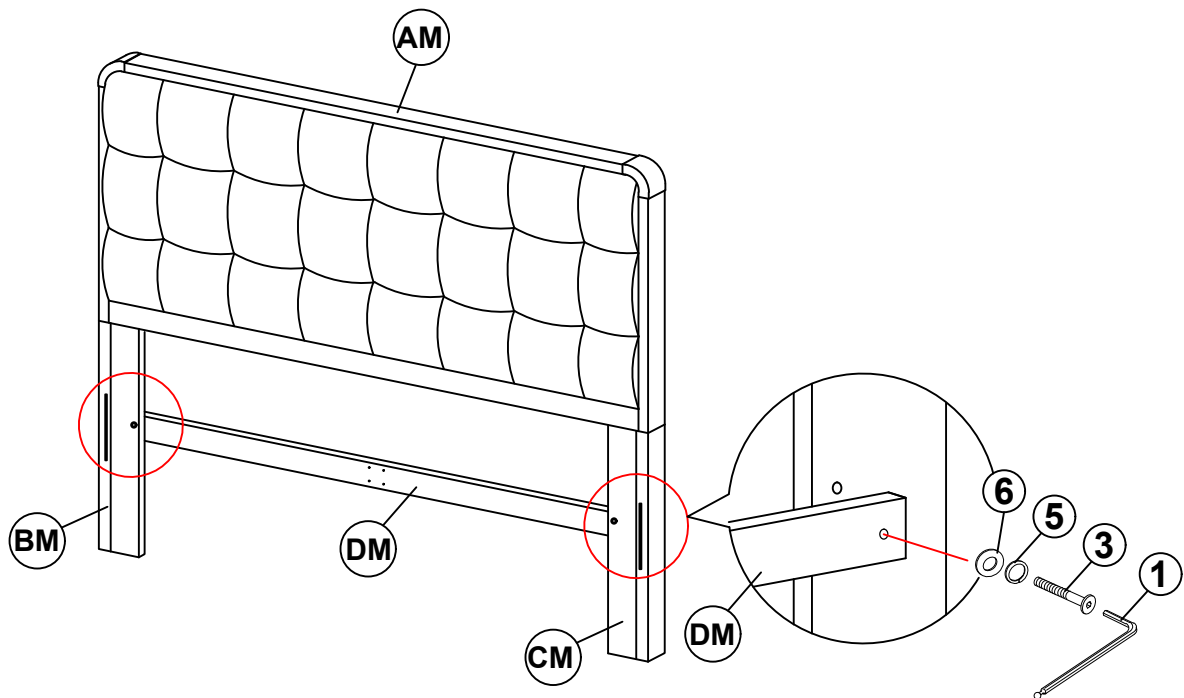


ASSEMBLY INSTRUCTIONS

STEP 1



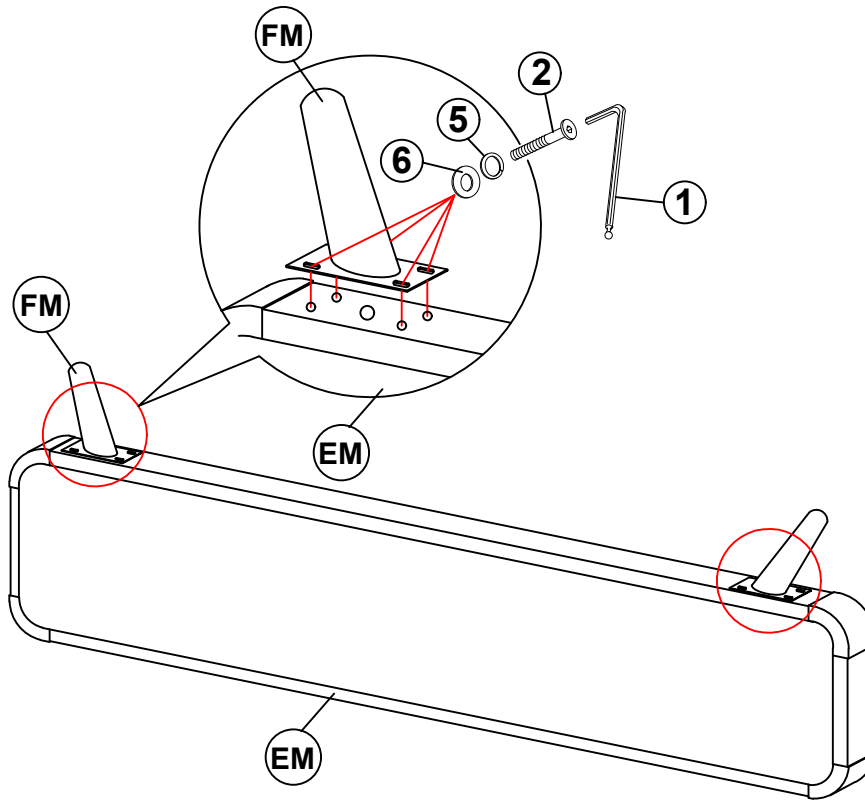
STEP 2



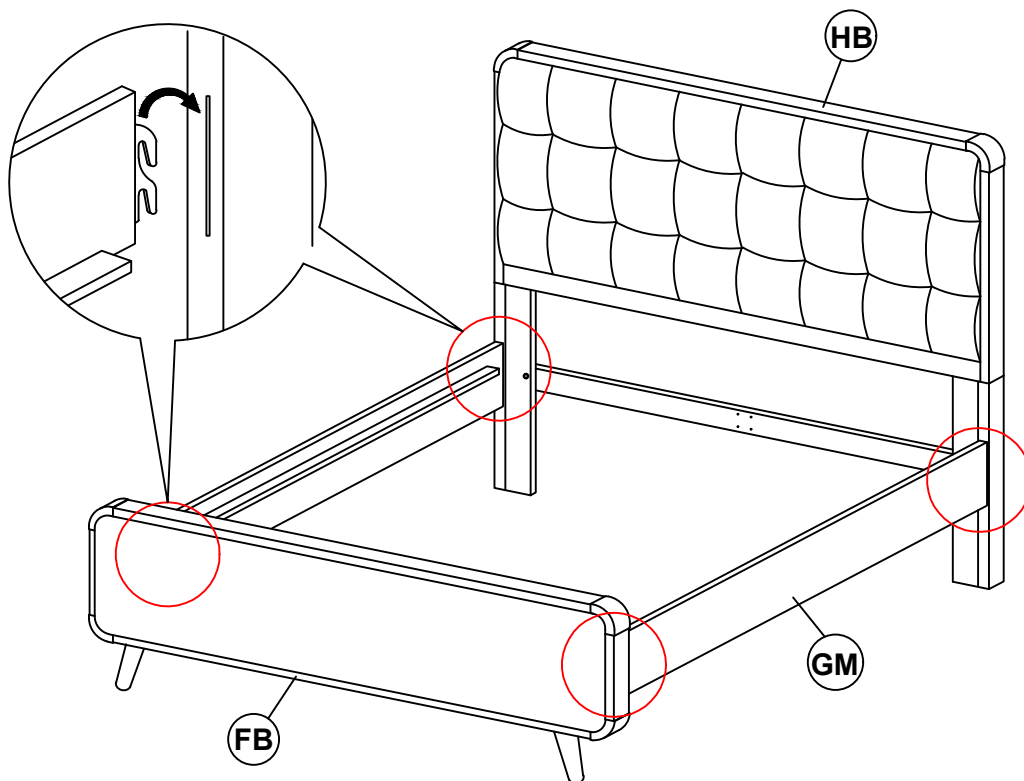
ITEM: 205131Q (B1-B3)



ASSEMBLY INSTRUCTIONS STEP 3



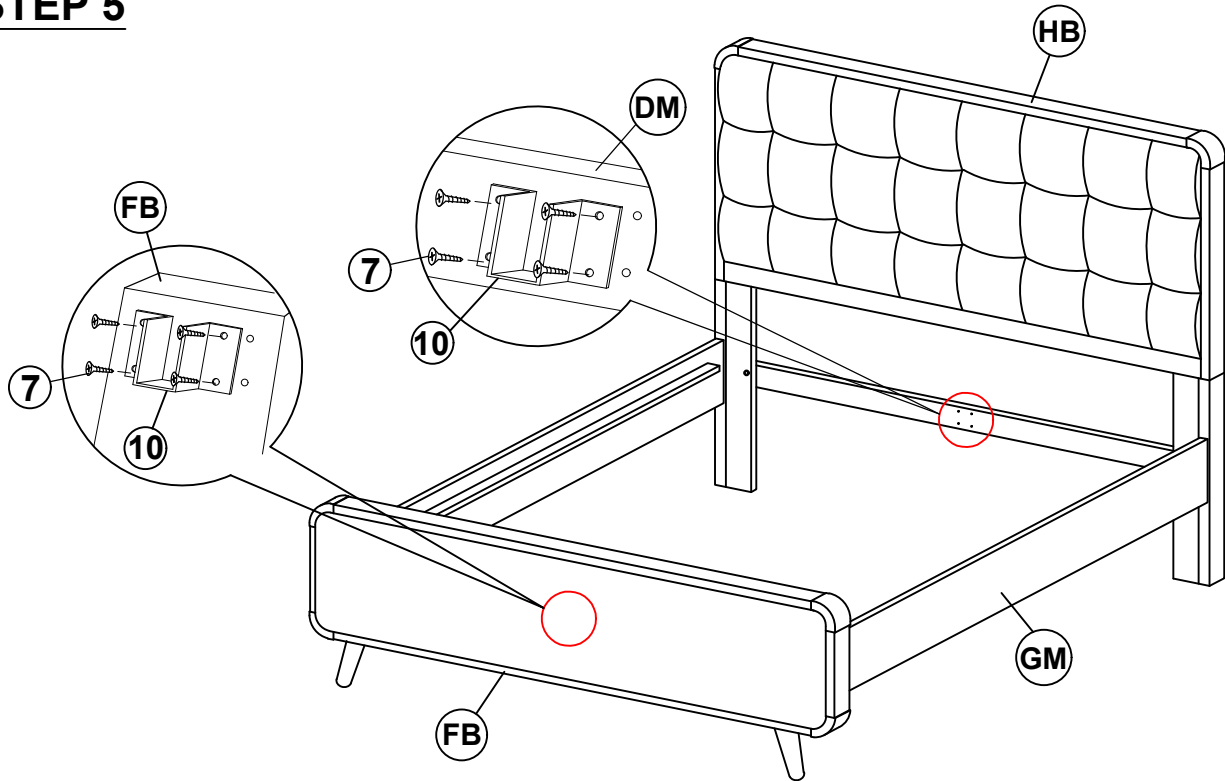
STEP 4



ITEM: 205131Q (B1-B3)

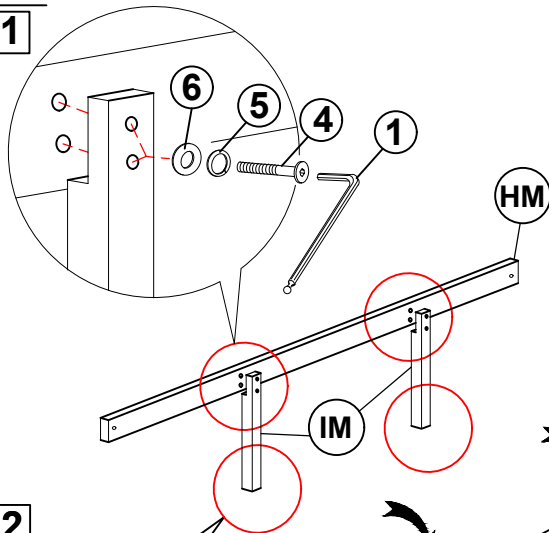


ASSEMBLY INSTRUCTIONS STEP 5

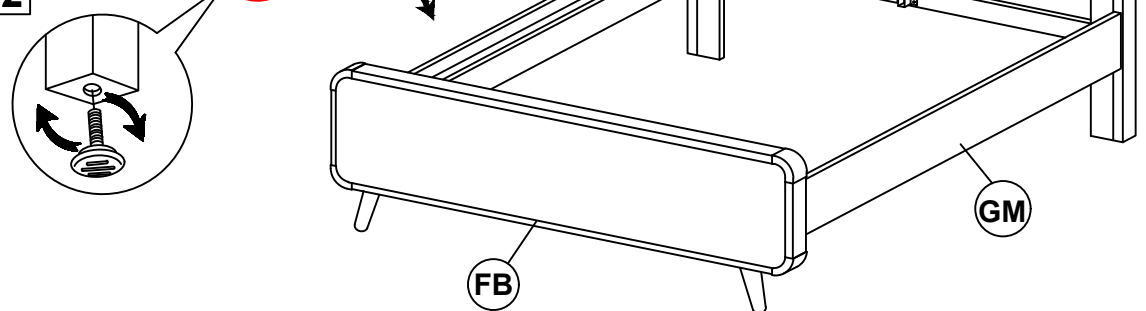


STEP 6

6.1



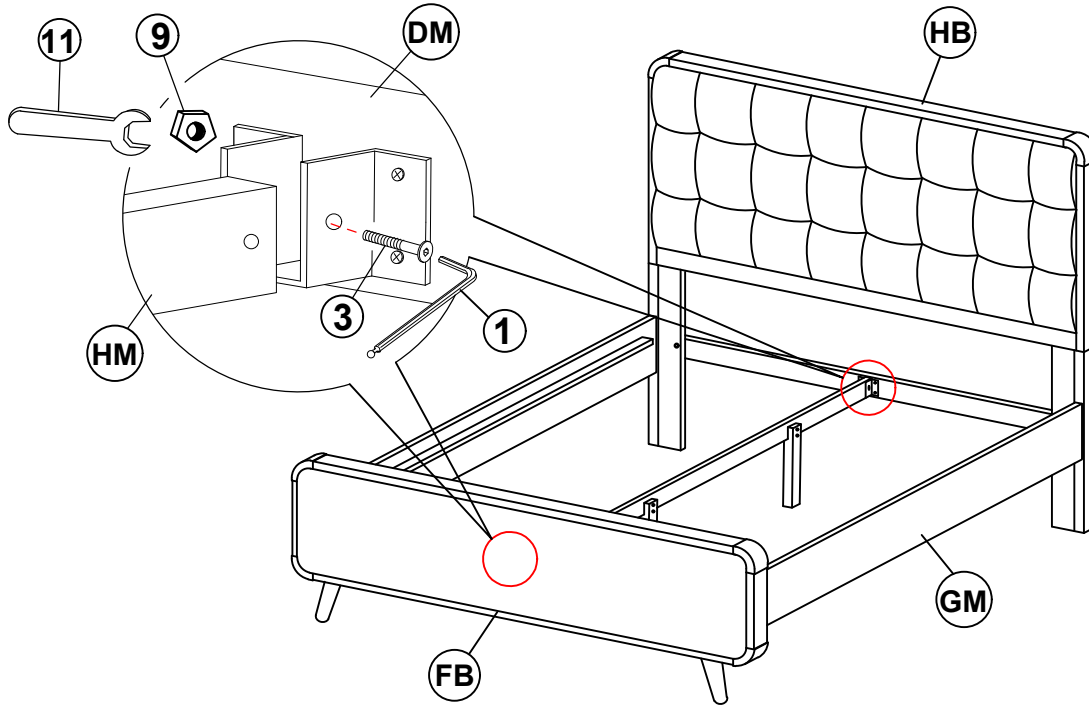
6.2



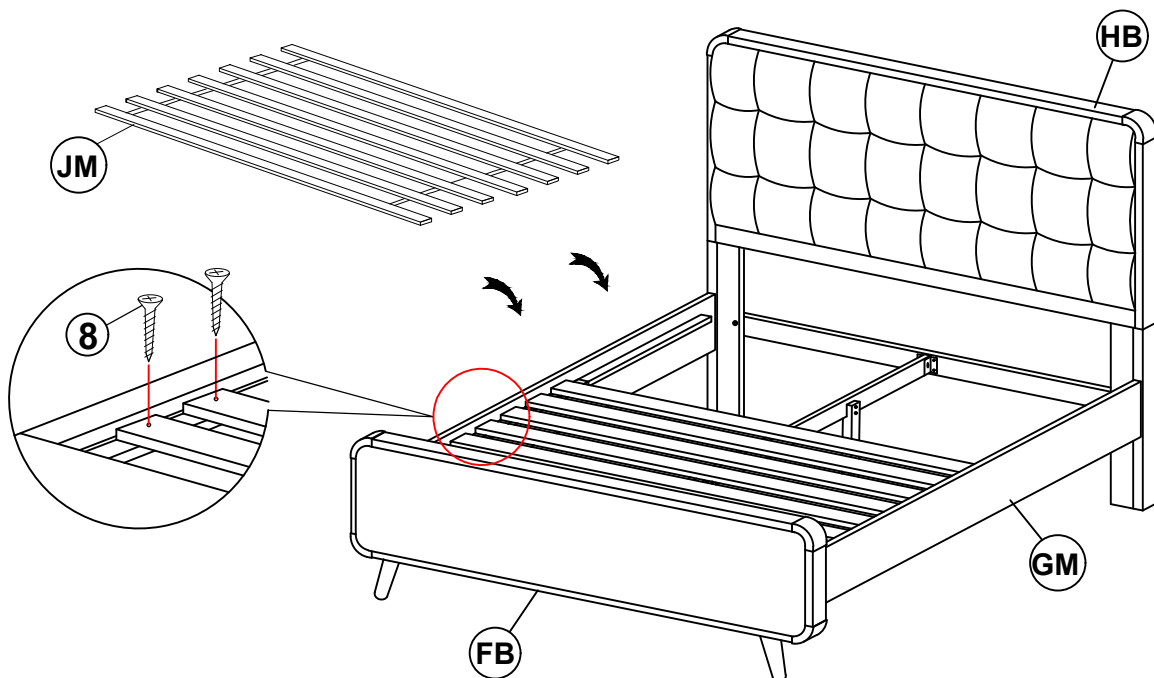
ITEM: 205131Q (B1-B3)



ASSEMBLY INSTRUCTIONS STEP 7



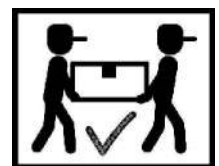
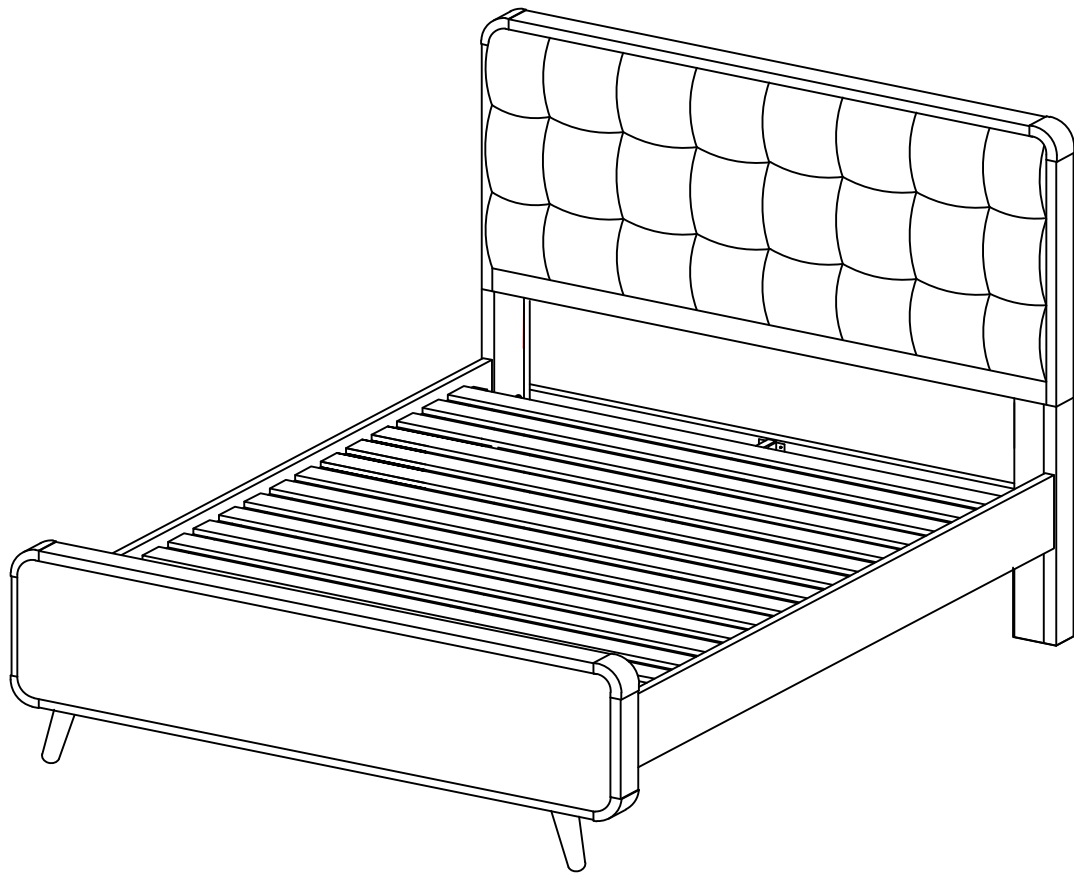
STEP 8



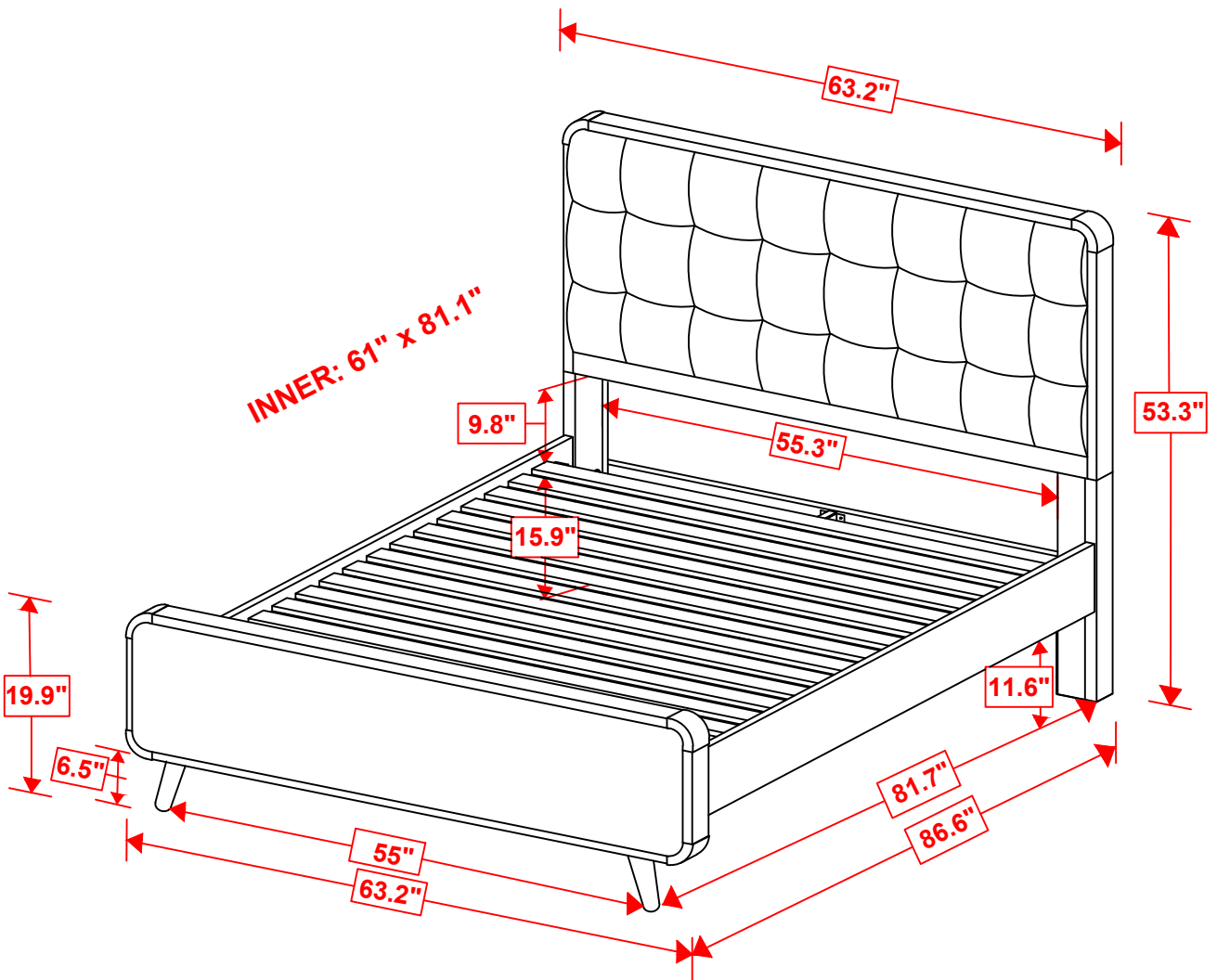
ITEM: **205131Q (B1-B3)**



ASSEMBLY INSTRUCTIONS
STEP 9
COMPLETE



ITEM: **205131Q (B1-B3)**



NOTE : DIMENSION TOLERANCE \pm 5%

COASTERFURNITURE.COM