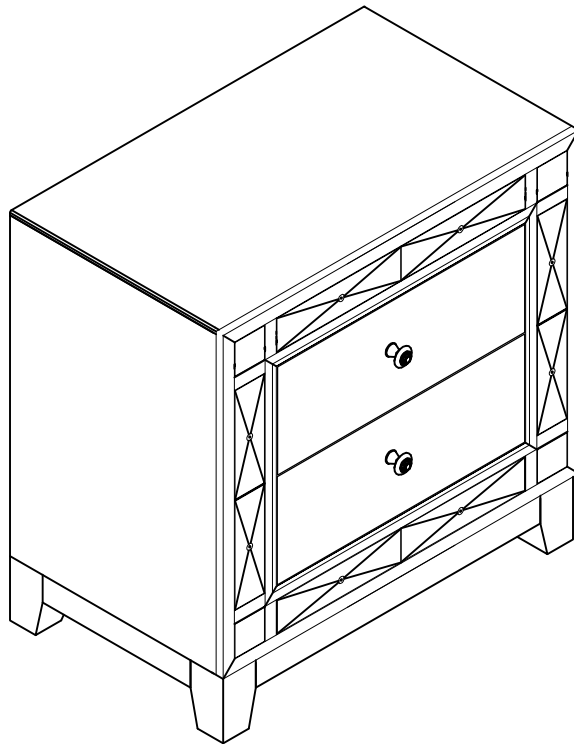




ASSEMBLY INSTRUCTIONS
COASTER FINE FURNITURE



Fine Furniture for every stage of life

204922
Nightstand

REVISION 0 :06/15/2016
REVISION 1 :08/05/2019

PAGE 1 OF 4

COASTERFURNITURE.COM

ITEM:204922



ASSEMBLY INSTRUCTIONS

ASSEMBLY TIPS:

1. Remove hardware from box and sort by size
2. Please check to see that all hardware and parts are present prior to start of assembly.
3. Please follow attached instruction in the same sequence as numbered to assure fast & easy assembly.



WARNING!

1. Don't attempt to repair or modify parts that are broken or defective. Please contact the store immediately.
2. This product is for home use only and not intended for commercial establishments.

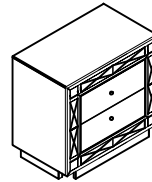


ASSEMBLY TIME

10 MINUTES

PARTS IDENTIFICATION

A NIGHTSTAND



1PC

B LEG



4PCS

HARDWARE IDENTIFICATION

1 BOLT
(1/4" x 40mm- RBW)



8PCS

2 LOCK WASHER
(1/4" - RBW)



8PCS

3 FLAT WASHER
(1/4" - RBW)



8PCS

4 ALLEN WRENCH
(4MM - RBW)



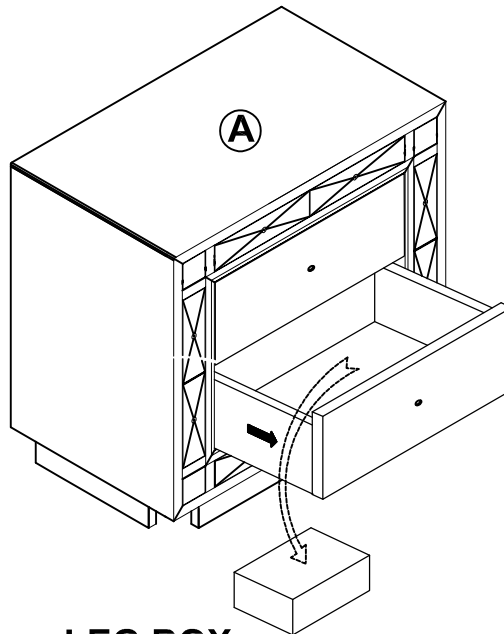
1PC

NOTE:

Phillips head screw driver is required in the assembly process; however, manufacturer does not provide this item .

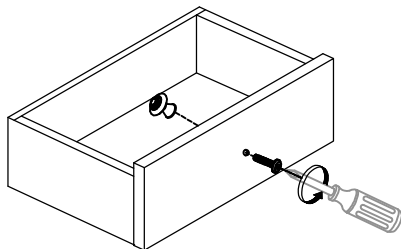
ITEM: **204922**

ASSEMBLY INSTRUCTIONS
STEP 1

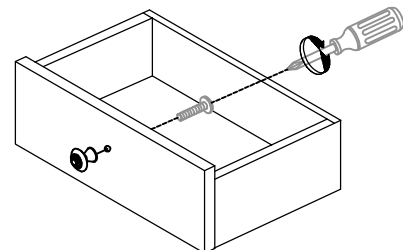


LEG BOX

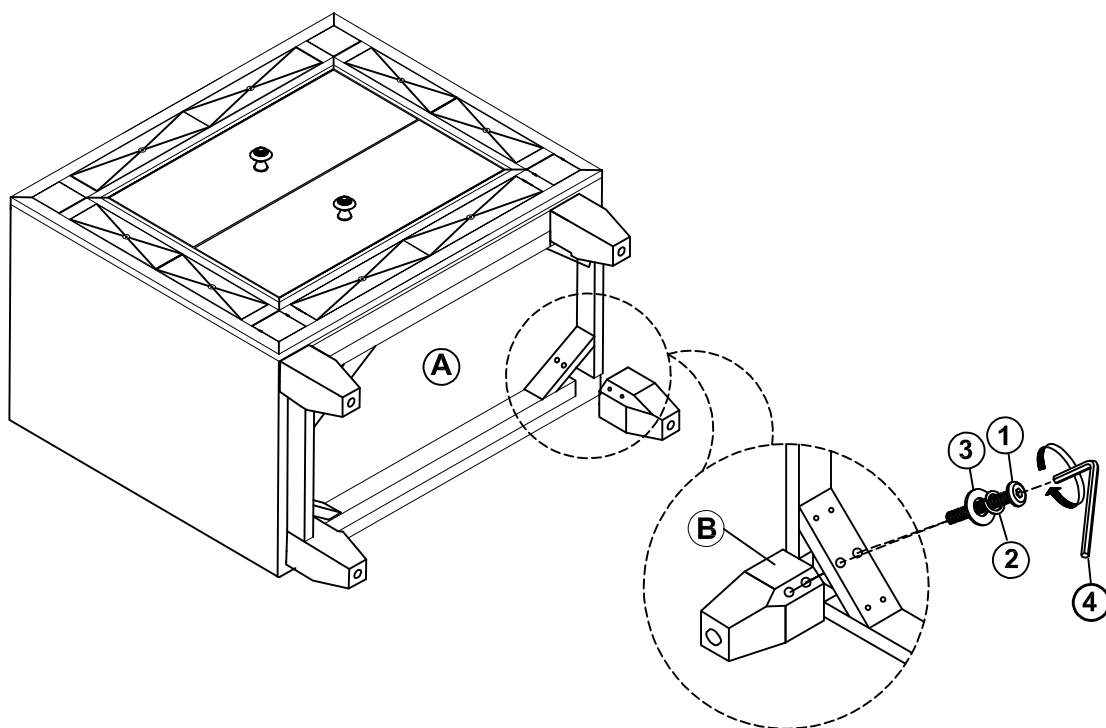
STEP 2



STEP 3



ITEM: **204922**
ASSEMBLY INSTRUCTIONS
STEP 4



STEP 5
COMPLETE

