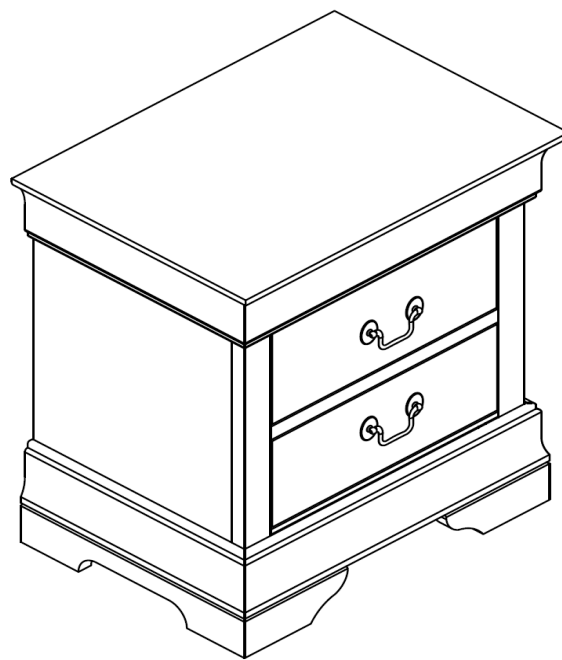


ASSEMBLY INSTRUCTION COASTER FINE FURNITURE



Fine Furniture for every stage of life

204692
Nightstand

REVISION 0 :06/27/2013
REVISION 1 :08/23/2018
REVISION 2 :12/11/2019

ITEM : **204692**

ASSEMBLY INSTRUCTIONS



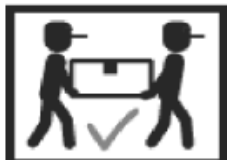
ASSEMBLY TIPS:

1. Remove hardware from box and sort by size.
2. Please check to see that all hardware and parts are present prior to start of assembly.
3. Please follow attached instruction in the same sequence as numbered to assure fast & easy assembly.



WARNING!

1. Don't attempt to repair or modify parts that are broken or defective. Please contact the store immediately.
2. This product is for home use only and not intended for commercial establishments.



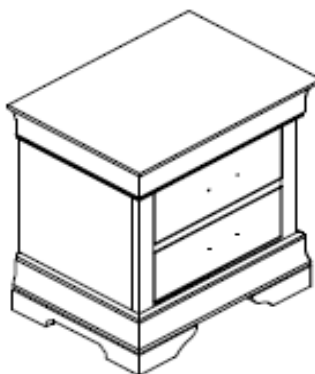
ASSEMBLY TIME

10 MINUTES

PARTS IDENTIFICATION

A

NIGHTSTAND

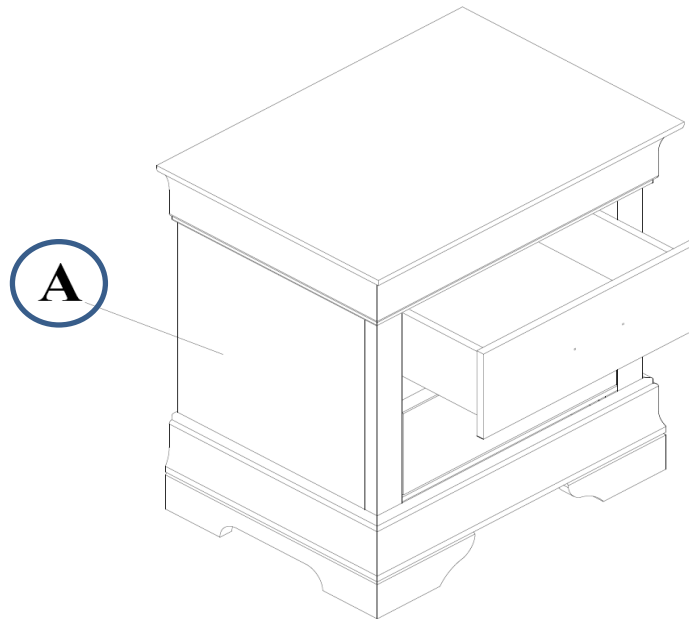


1PC

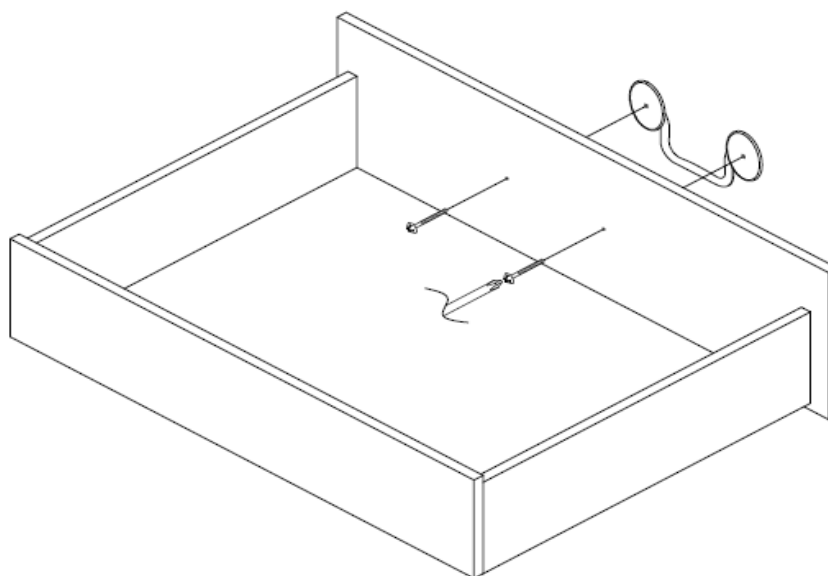
NOTE :

Phillips head screw driver is required in the assembly process ; however, manufacturer does not provide this item.

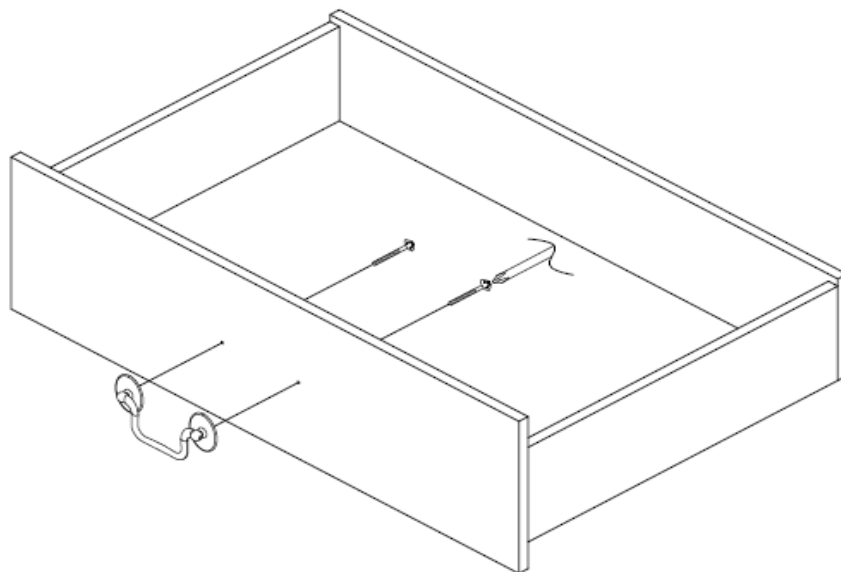
ITEM : **204692**
ASSEMBLY INSTRUCTIONS
STEP 1



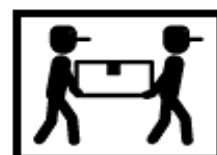
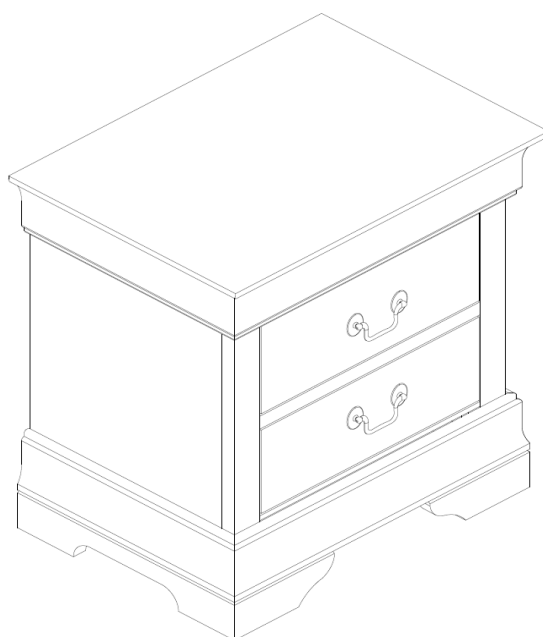
STEP 2



ITEM : **204692**
ASSEMBLY INSTRUCTIONS
STEP 3



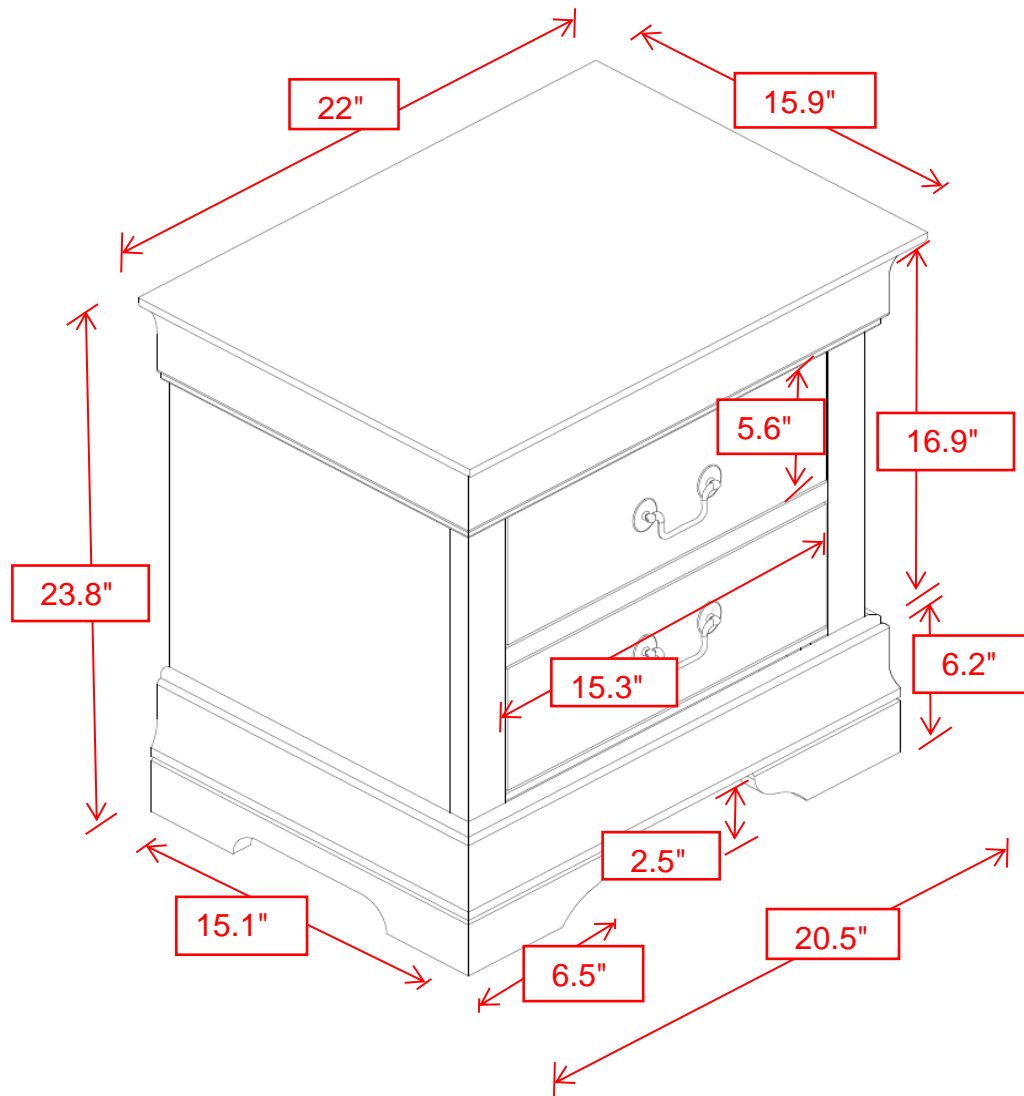
STEP 4
COMPLETE



ITEM : 204692



INNER SIZE DRAWER : 4.33" x 11.29" x 14.13"



Note : Dimension tolerance $\pm 5\%$