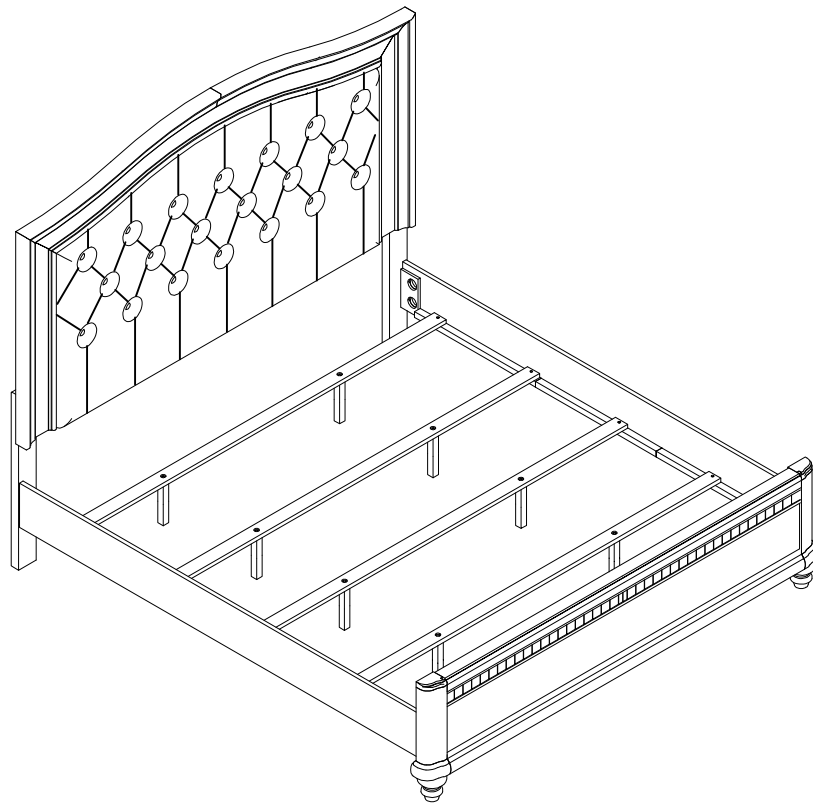


**ASSEMBLY INSTRUCTIONS**  
**COASTER FINE FURNITURE**



*Fine Furniture for every stage of life*

**204181KE (B1-B3)**  
***Eastern King Bed***

REVISION 0 : 06/17/2015  
REVISION 1 : 11/03/2015  
REVISION 2 : 07/04/2017  
REVISION 3 : 11/05/2019

# ITEM: 204181KE (B1-B3)

## ASSEMBLY INSTRUCTIONS

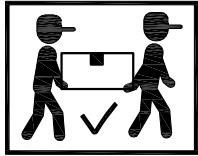
### ASSEMBLY TIPS:

1. Remove hardware from box and sort by size.
2. Please check to see that all hardware and parts are present prior to start of assembly.
3. Please follow attached instructions in the same sequence as numbered to assure fast & easy assembly.

### WARNING!



1. Don't attempt to repair or modify parts that are broken or defective. Please contact the store immediately.
2. This product is for home use only and not intended for commercial establishments.



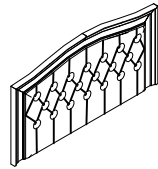
ASSEMBLY TIME

20 MINUTES

## PARTS IDENTIFICATION

### B1 (BOX 1)

A HEADBOARD PANEL



1PC

B LEFT HEADBOARD LEG



1PC

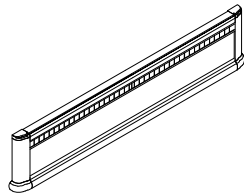
C RIGHT HEADBOARD LEG



1PC

### B2 (BOX 2)

D FOOTBOARD PANEL



1PC

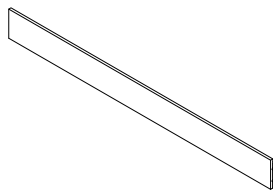
E FOOTBOARD BUN FOOT



2PCS

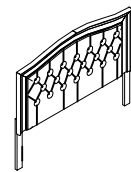
### B3 (BOX 3)

F BED RAIL



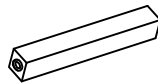
2PCS

HB 204181KE (B1) FROM BOX 1 HEADBOARD COMPLETE



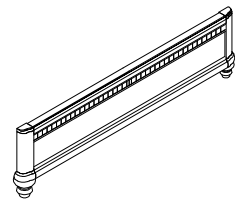
1PC

G BED SLAT SUPPORT WITH LEVELER



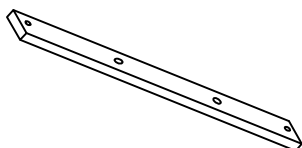
8PCS

FB 204181KE (B2) FROM BOX 2 FOOTBOARD COMPLETE



1PC

H BED SLAT



4PCS

# ITEM: 204181KE (B1-B3)

## ASSEMBLY INSTRUCTIONS

### ASSEMBLY TIPS:

1. Remove hardware from box and sort by size.
2. Please check to see that all hardware and parts are present prior to start of assembly.
3. Please follow attached instructions in the same sequence as numbered to assure fast & easy assembly.

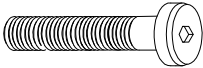





### WARNING!

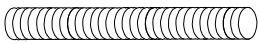


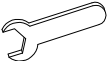

1. Don't attempt to repair or modify parts that are broken or defective. Please contact the store immediately.
2. This product is for home use only and not intended for commercial establishments.

## HARDWARE IDENTIFICATION

### Z-B1 (BOX 1) - HARDWARE PACK IS LOCATED IN 204181KE (B1)

1	<b>BOLT</b> (5/16" x 60mm - BLK)		6PCS	3	<b>FLAT WASHER</b> (5/16" x 19 x 1.5mm - BLK)		6PCS
2	<b>LOCK WASHER</b> (5/16" - BLK)		6PCS	4	<b>ALLEN WRENCH</b> (4MM - BLK)		1PC

### Z-B3 (BOX 3) - HARDWARE PACK IS LOCATED IN 204181KE (B3)

5	<b>THREADED BOLT</b> (5/16" x 75mm - RBW)		8PCS	8	<b>FLAT HEAD SCREW</b> (4 x 32mm - RBW)		8PCS
6	<b>U-SQUARE WASHER</b> (25 x 15 x 2mm - RBW)		8PCS	9	<b>WRENCH</b> (13MM - RBW)		1PC
7	<b>HEX NUT</b> (5/16" x 17mm - RBW)		8PCS				

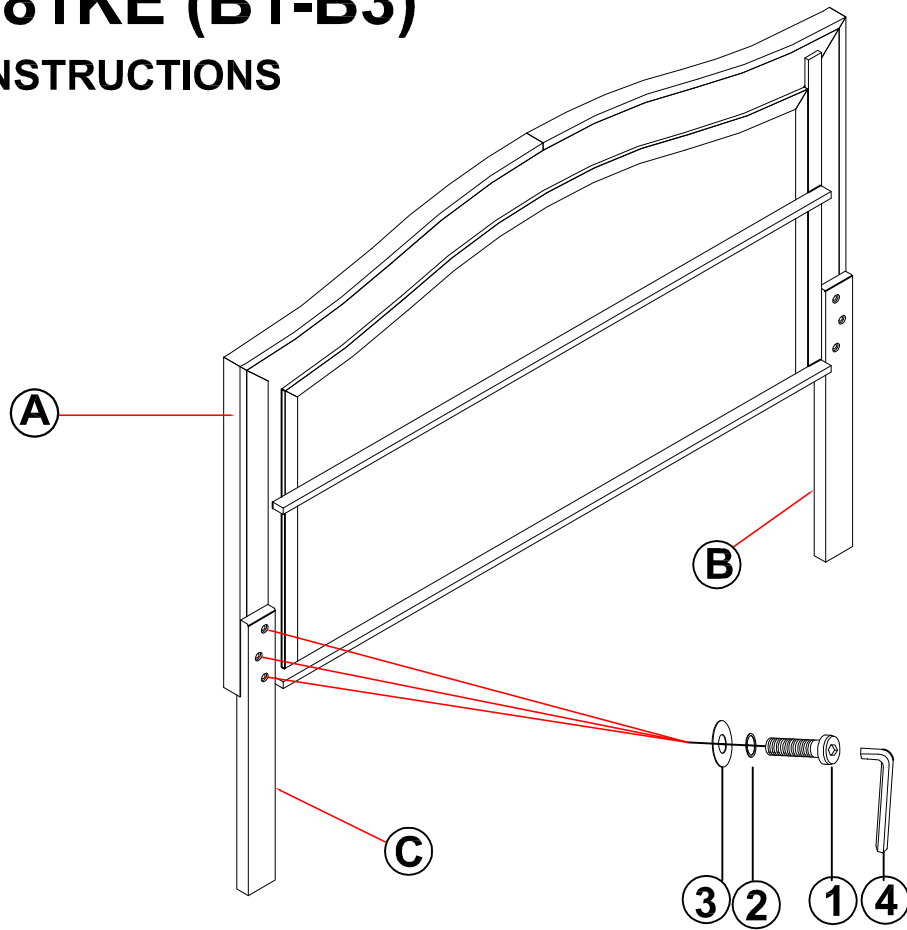
**NOTE:**  
Phillips head screw driver is required in the assembly process; however, manufacturer does not provide this item.

# ITEM: 204181KE (B1-B3)

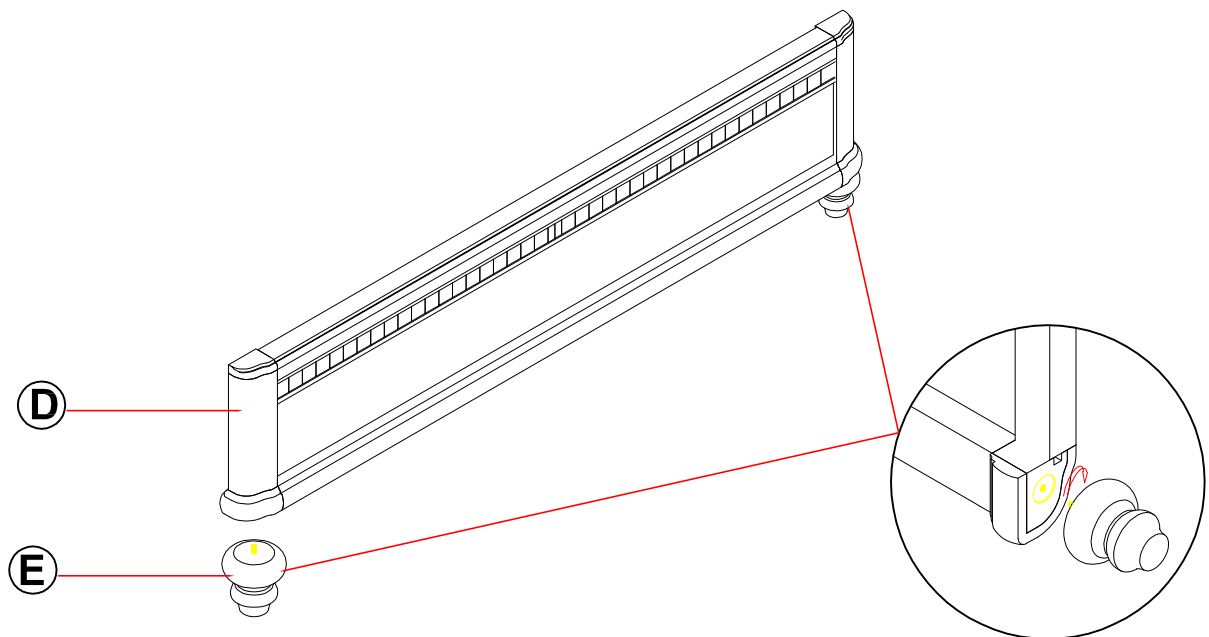
## ASSEMBLY INSTRUCTIONS



### STEP 1



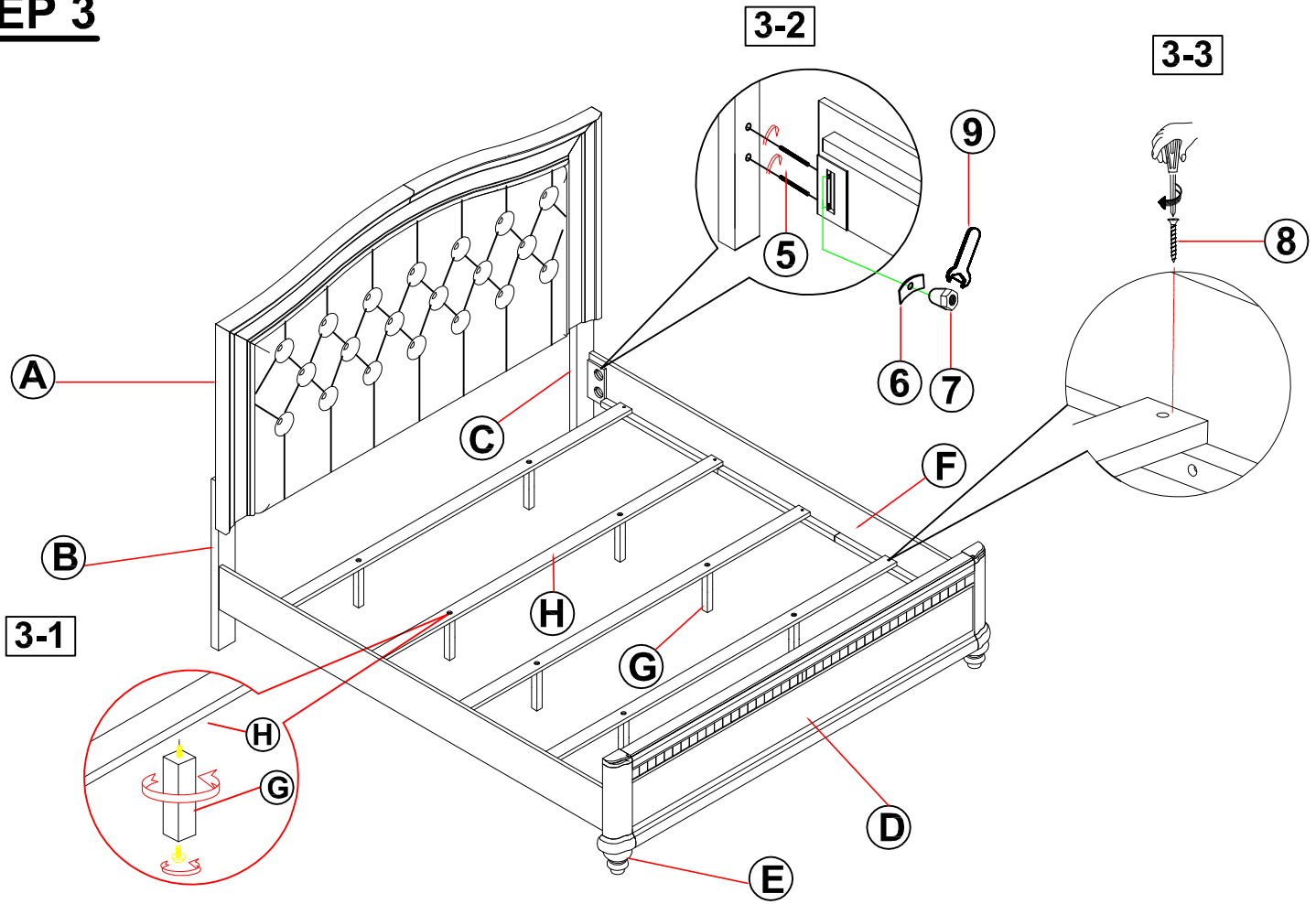
### STEP 2



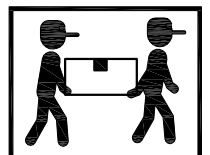
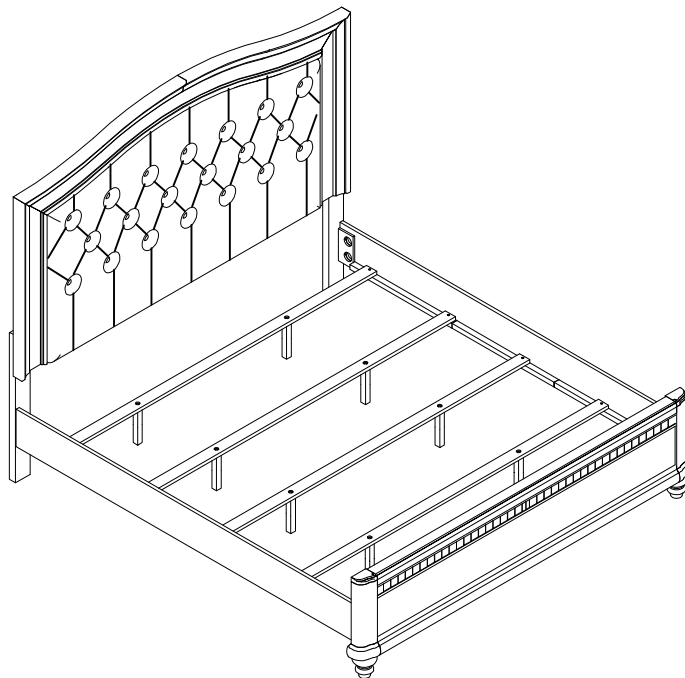
# ITEM: 204181KE (B1-B3)

## ASSEMBLY INSTRUCTIONS

### STEP 3

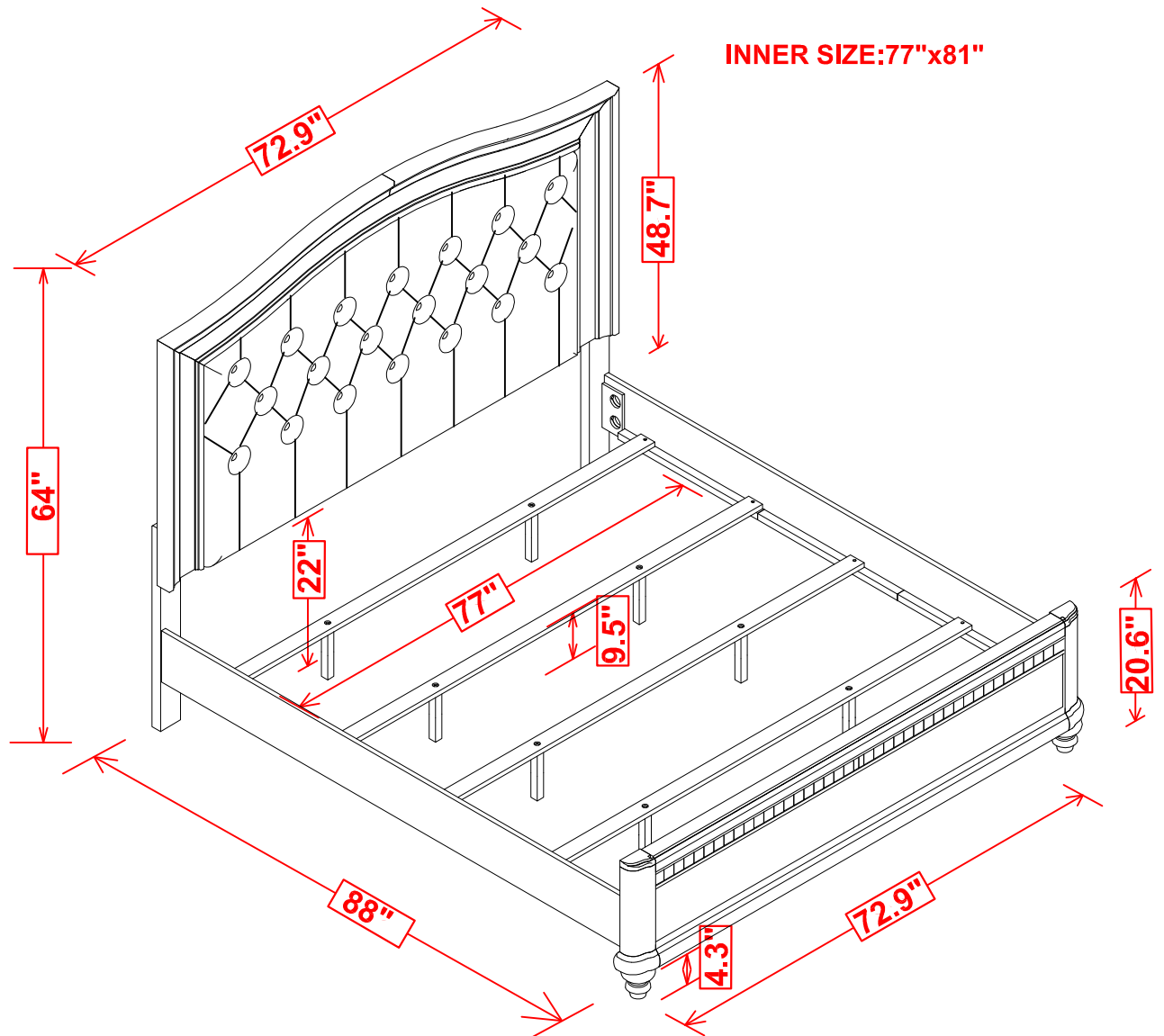


### STEP 4 COMPLETE



ITEM:204181KE (B1-B3)

**COASTER**  
FINE FURNITURE



**Note :** Dimension tolerance  $\pm 5\%$