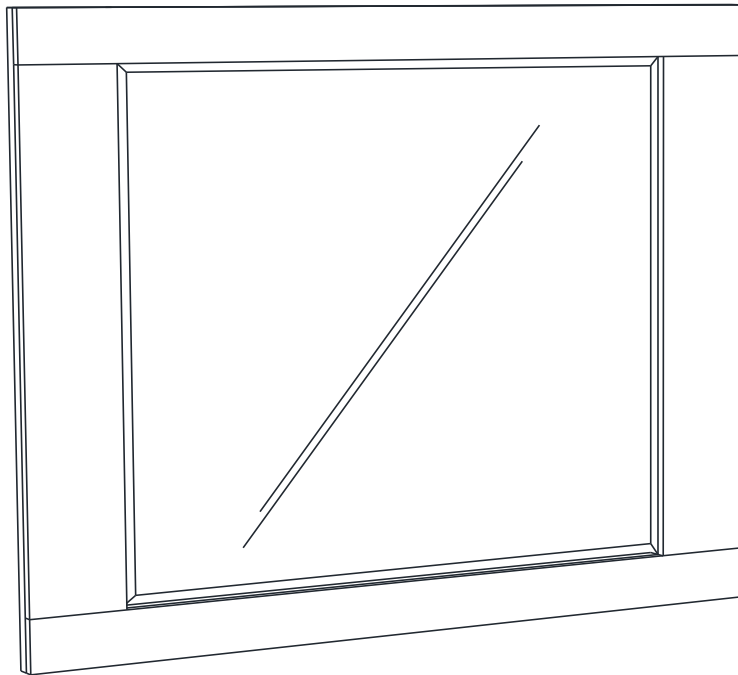


ASSEMBLY INSTRUCTIONS
COASTER FINE FURNITURE



Fine Furniture for every stage of life

203504
Mirror

REVISION 0 : 05/16/2014
REVISION 1 : 02/09/2017
REVISION 2 : 07/25/2019

ITEM:203504

ASSEMBLY INSTRUCTIONS

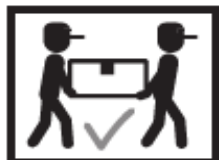
ASSEMBLY TIPS:

1. Remove hardware from box and sort by size.
2. Please check to see that all hardware and parts are present prior to start of assembly.
3. Please follow attached instructions in the same sequence as numbered to assure fast & easy assembly.



WARNING!

1. Don't attempt to repair or modify parts that are broken or defective. Please contact the store immediately.
2. This product is for home use only and not intended for commercial establishments.

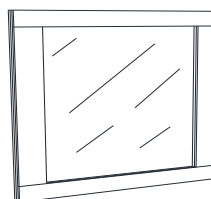


ASSEMBLY TIME

5 MINUTES

PARTS IDENTIFICATION

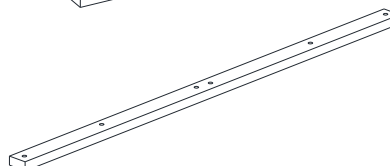
A MIRROR 1PC



B DRESSER FROM BOX ITEM # 203503 1PC



C MIRROR SUPPORT (PACK WITH DRESSER) 2PCS



HARDWARE IDENTIFICATION

1 FLAT HEAD SCREW (M4 x 32mm - RBW) 10PCS



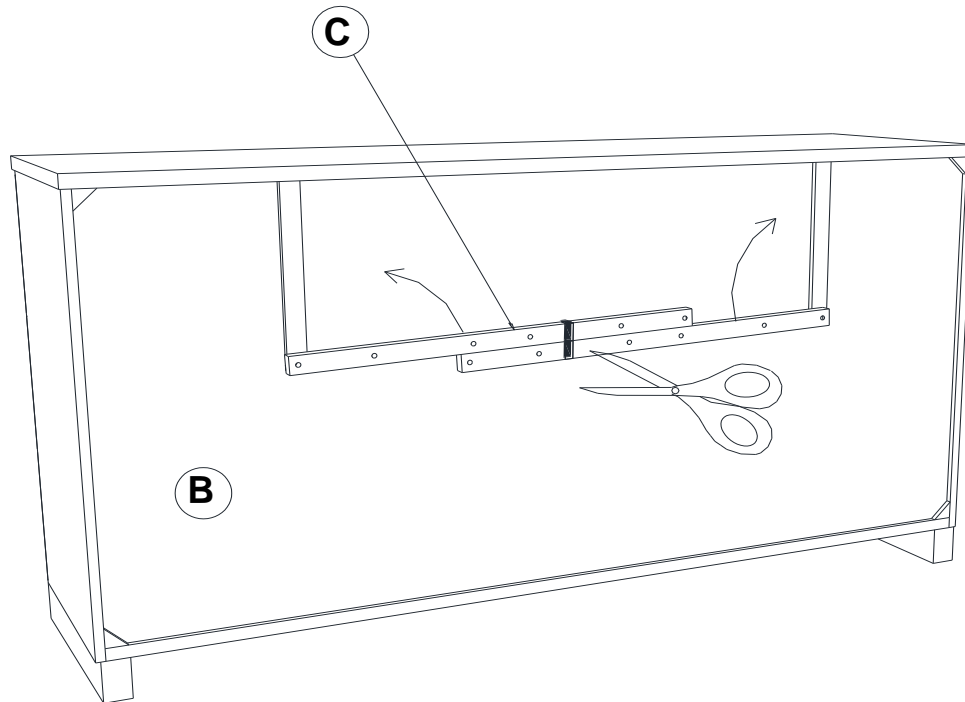
NOTE:

Phillips head screw driver is required in the assembly process; however, manufacturer does not provide this item.

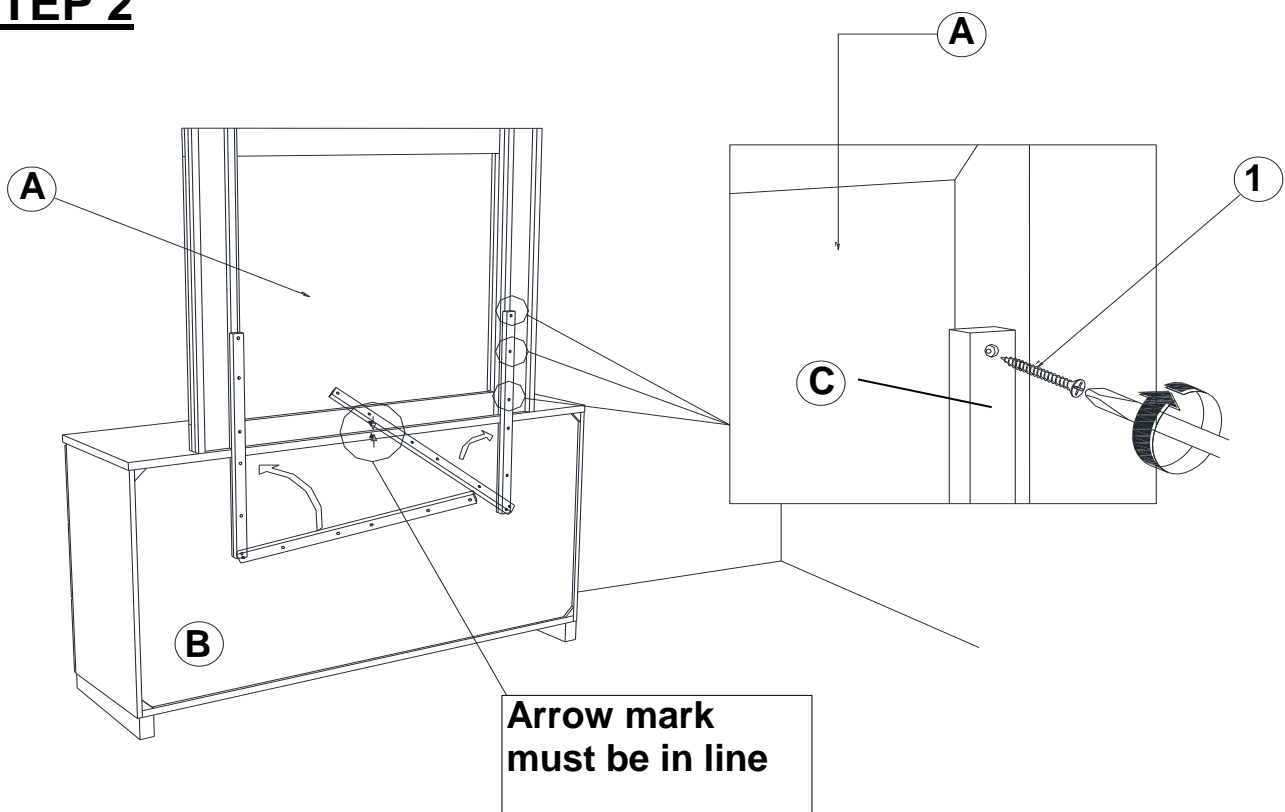
ITEM: **203504**

ASSEMBLY INSTRUCTIONS

STEP 1



STEP 2



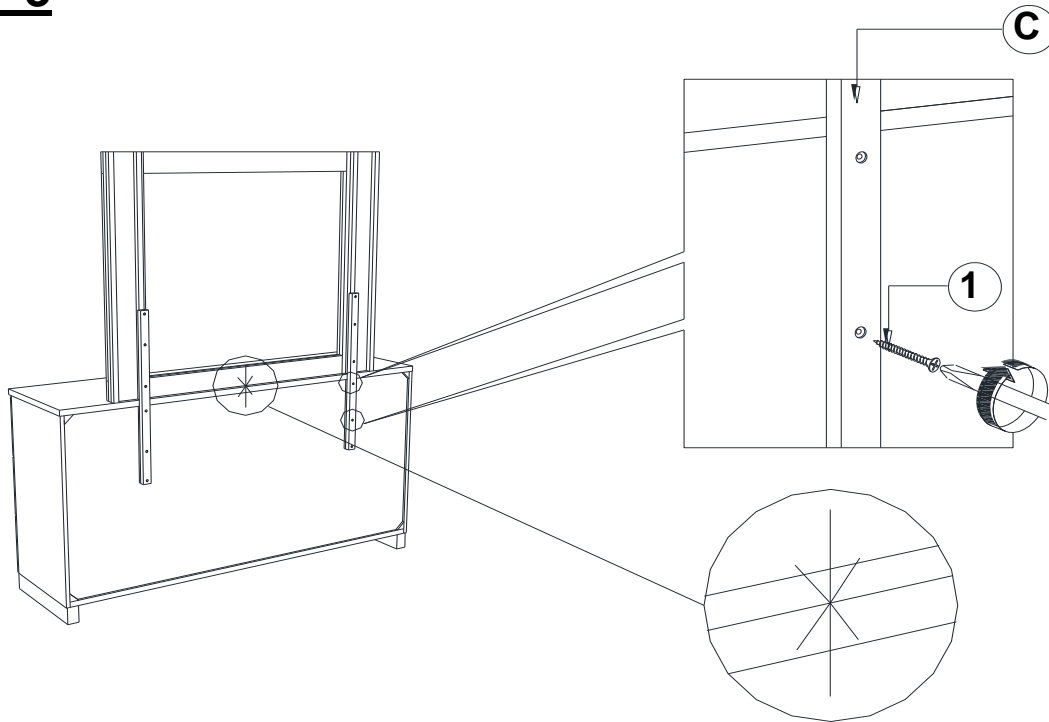
****BACK VIEW**

ITEM: **203504**



ASSEMBLY INSTRUCTIONS

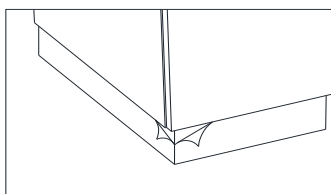
STEP 3



**Arrow Marking
Must Be Aligned**

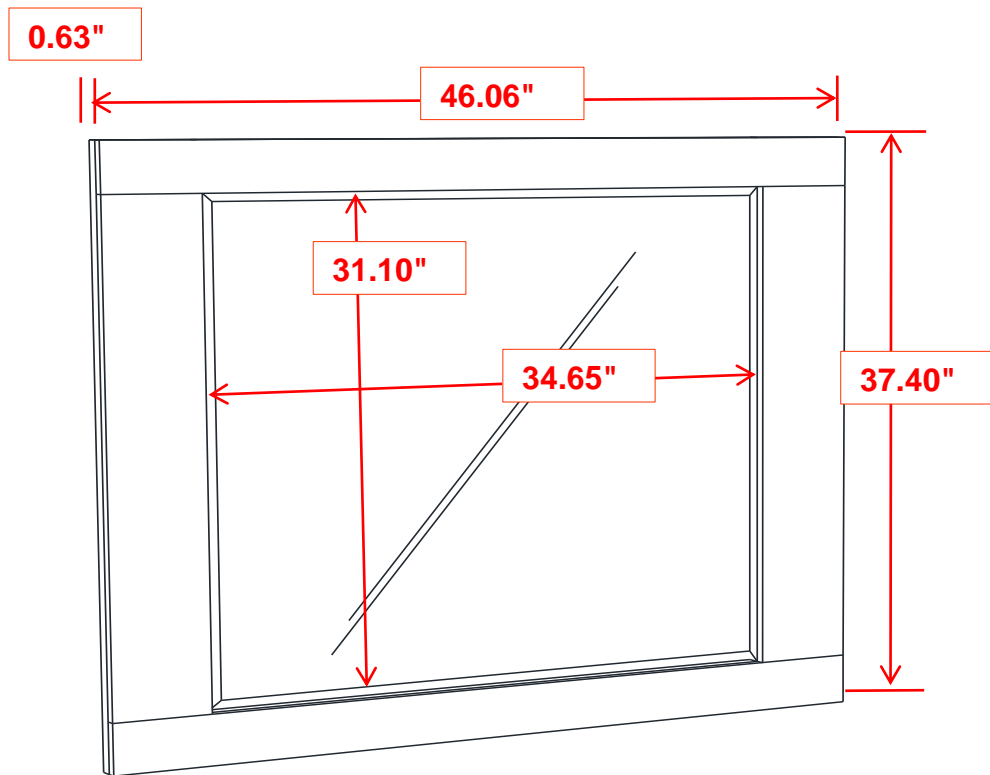
STEP 4

COMPLETE



**PLEASE REMOVE THE
PROTECTIVE FILM
BEFORE USE**





Note : Dimension tolerance $\pm 5\%$