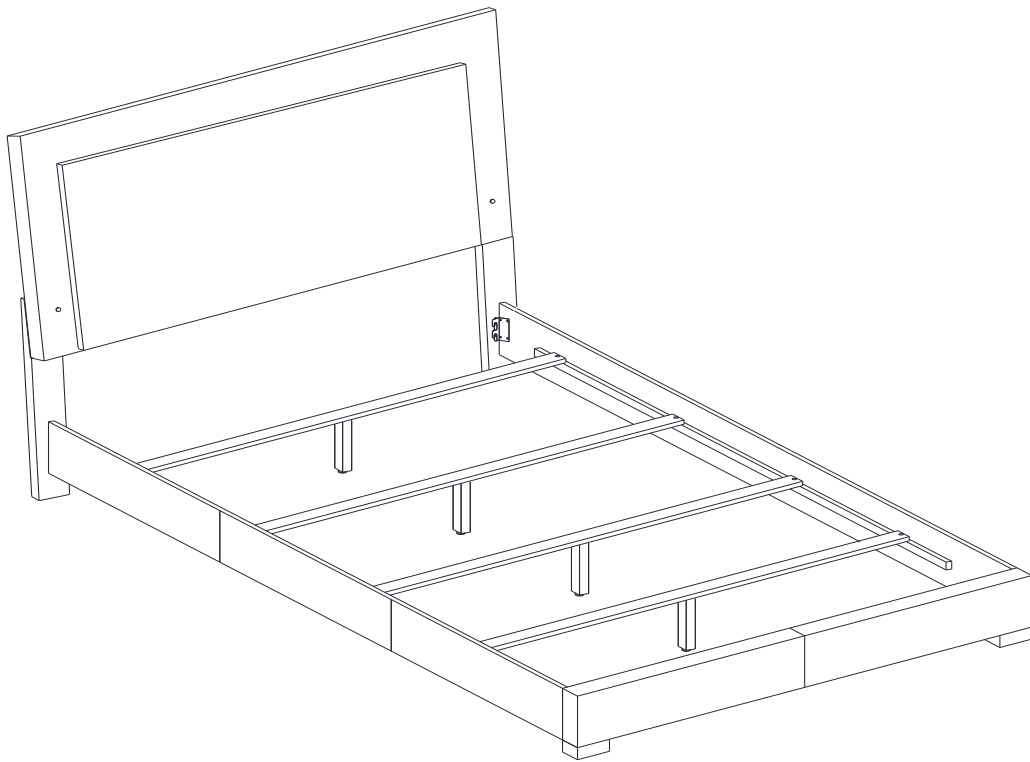


ASSEMBLY INSTRUCTIONS
COASTER FINE FURNITURE



Fine Furniture for every stage of life

203500Q (B1 & B2)
Queen Bed

REVISION 0 : 07/09/2015
REVISION 1 : 07/25/2019

ITEM: 203500Q (B1&B2)

ASSEMBLY INSTRUCTIONS

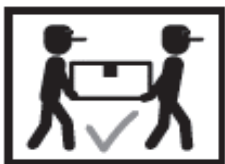
ASSEMBLY TIPS:

1. Remove hardware from box and sort by size.
2. Please check to see that all hardware and parts are present prior to start of assembly.
3. Please follow attached instructions in the same sequence as numbered to assure fast & easy assembly.



WARNING!

1. Don't attempt to repair or modify parts that are broken or defective. Please contact the store immediately.
2. This product is for home use only and not intended for commercial establishments.





ASSEMBLY TIME



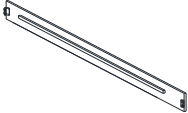
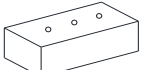
20 MINUTES


PARTS IDENTIFICATION

B1 (BOX 1)

- | | | | |
|---|---------------------|--|-----|
| A | HEADBOARD PANEL |  | 1PC |
| B | RIGHT HEADBOARD LEG |  | 1PC |

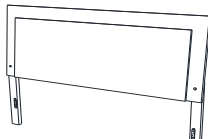
B2 (BOX 2)

- | | | | |
|---|-------------------------------|---|------|
| D | BED SLAT |  | 4PCS |
| E | BED SLAT SUPPORT WITH LEVELER |  | 4PCS |
| F | BED RAIL |  | 2PCS |
| G | FOOTBOARD LEG |  | 2PCS |

- | | | | |
|---|--------------------|---|-----|
| C | LEFT HEADBOARD LEG |  | 1PC |
|---|--------------------|---|-----|

- | | | | |
|---|-----------------|---|-----|
| H | FOOTBOARD PANEL |  | 1PC |
|---|-----------------|---|-----|

- | | | | |
|---|--------------|---|-----|
| I | ADAPTER PLUG |  | 1PC |
|---|--------------|---|-----|

- | | | | |
|----|--|---|-----|
| HB | 203500Q (B1) FROM BOX 1 HEADBOARD COMPLETE |  | 1PC |
|----|--|---|-----|

NOTE:

Phillips head screw driver is required in the assembly process; however, manufacturer does not provide this item.

ITEM: 203500Q (B1&B2)

ASSEMBLY INSTRUCTIONS

ASSEMBLY TIPS:

1. Remove hardware from box and sort by size.
2. Please check to see that all hardware and parts are present prior to start of assembly.
3. Please follow attached instructions in the same sequence as numbered to assure fast & easy assembly.

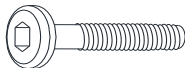





WARNING!





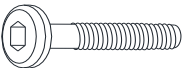
1. Don't attempt to repair or modify parts that are broken or defective. Please contact the store immediately.
2. This product is for home use only and not intended for commercial establishments.

HARDWARE IDENTIFICATION

Z-B1 (BOX 1) - HARDWARE PACK IS LOCATED IN 203500Q (B1)

1	BOLT (M6 x 30mm - BLK)		6PCS	3	FLAT WASHER (1/4" X 13mm - BLK)		6PCS
2	ALLEN WRENCH (M4 x 60mm - BLK)		1PC	4	LOCK WASHER (1/4" - BLK)		6PCS

Z-B2 (BOX 2) - HARDWARE PACK IS LOCATED IN 203500Q (B2)

5	SHORT FLAT HEAD SCREW (M4 x 32mm - RBW)		8PCS	8	SMALL ALLEN WRENCH (M4 x 60MM - BLK)		1PC
6	LONG FLAT HEAD SCREW (M4 x 50mm - RBW)		6PCS	9	BIG ALLEN WRENCH (M5 x 65MM - BLK)		1PC
7	BOLT (M6 x 40mm - BLK)		4PCS				

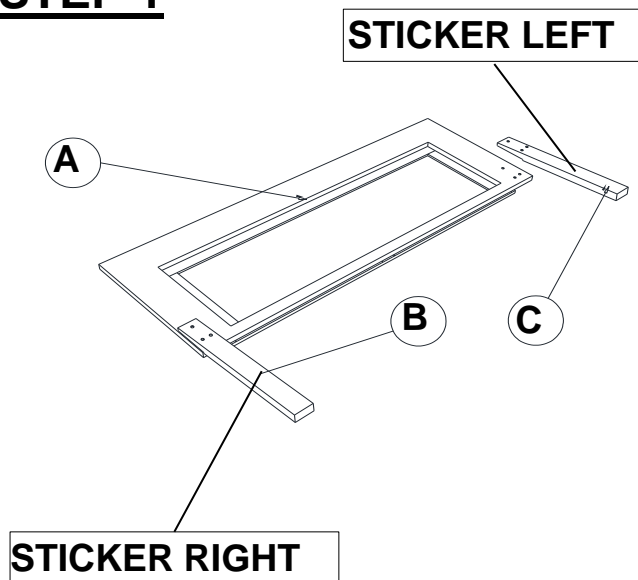
NOTE:

Phillips head screw driver is required in the assembly process; however, manufacturer does not provide this item.

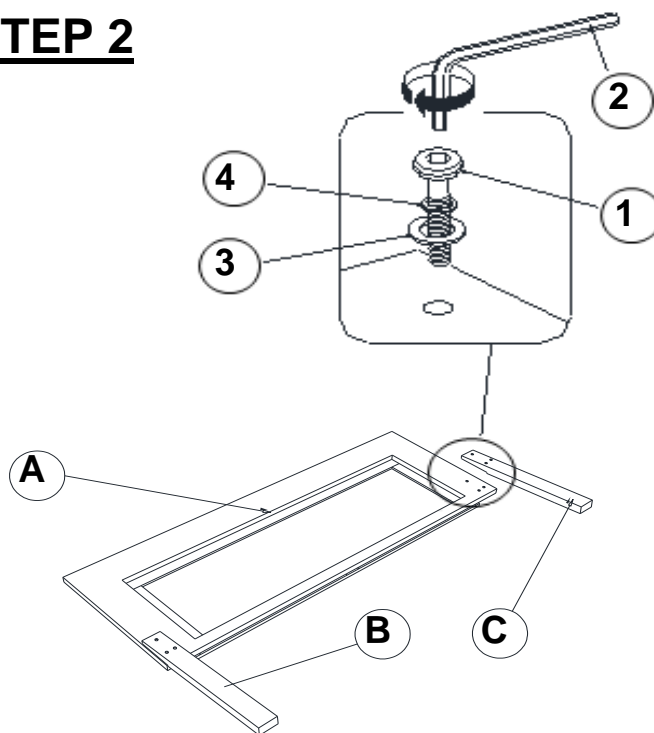
ITEM: 203500Q (B1&B2)

ASSEMBLY INSTRUCTIONS

STEP 1

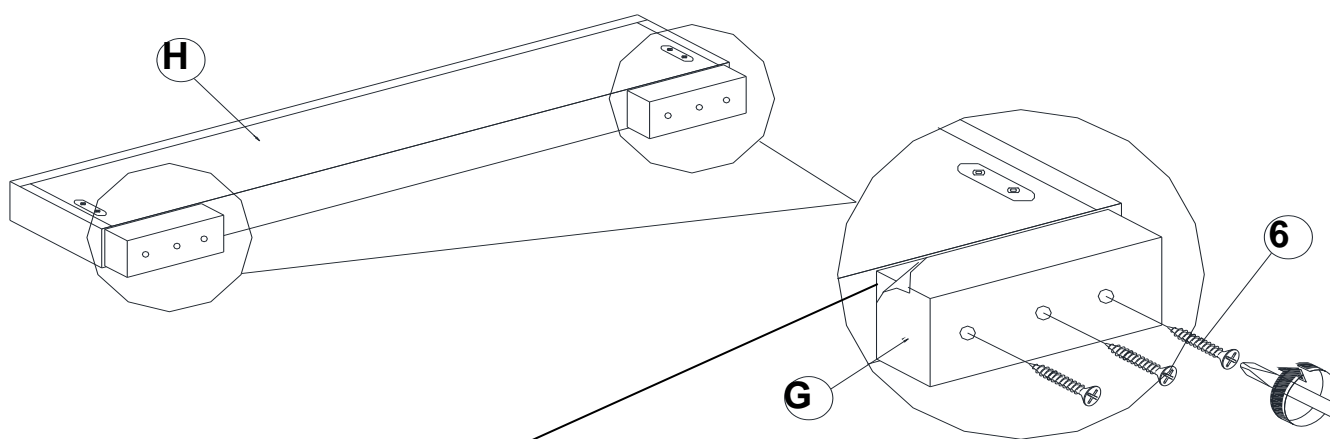


STEP 2



IF PURCHASE HEADBOARD ONLY, SKIP BELOW STEPS

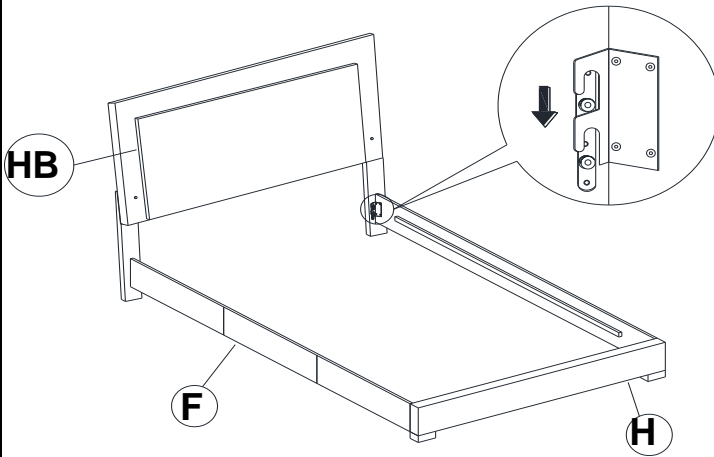
STEP 3



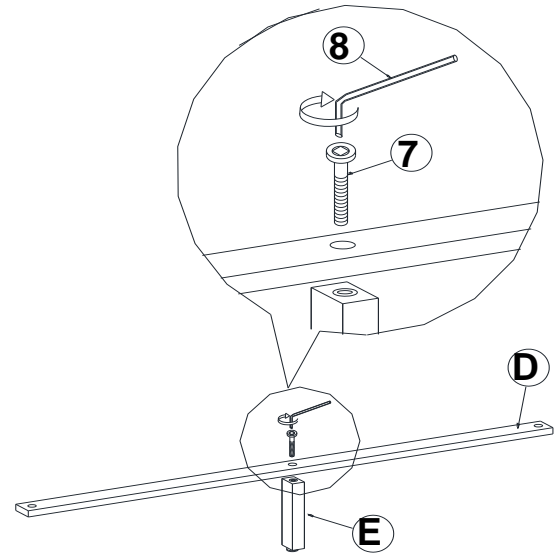
PLEASE REMOVE THE PROTECTIVE FILM BEFORE ASSEMBLY

ASSEMBLY INSTRUCTIONS

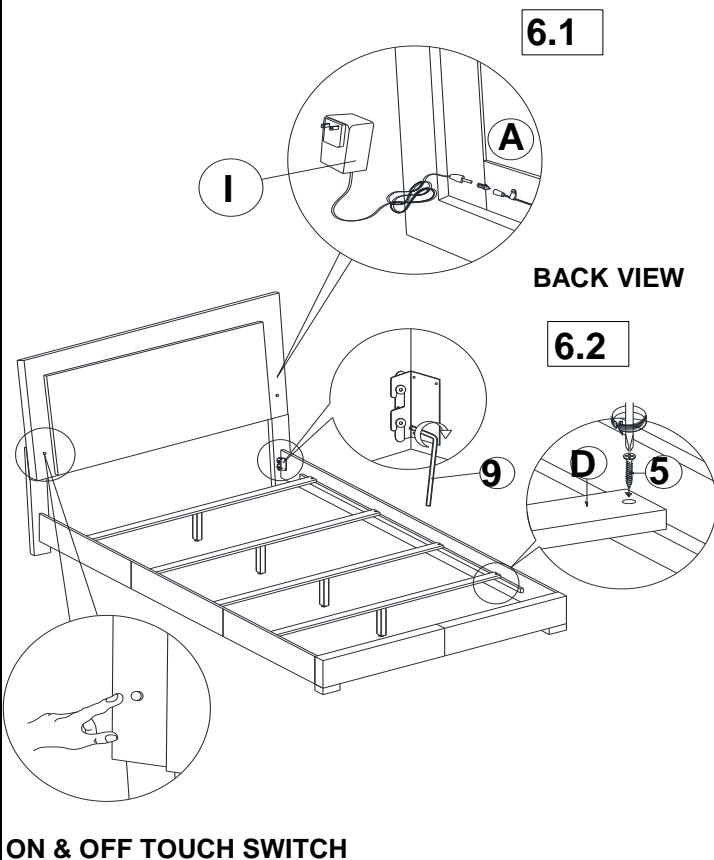
STEP 4



STEP 5

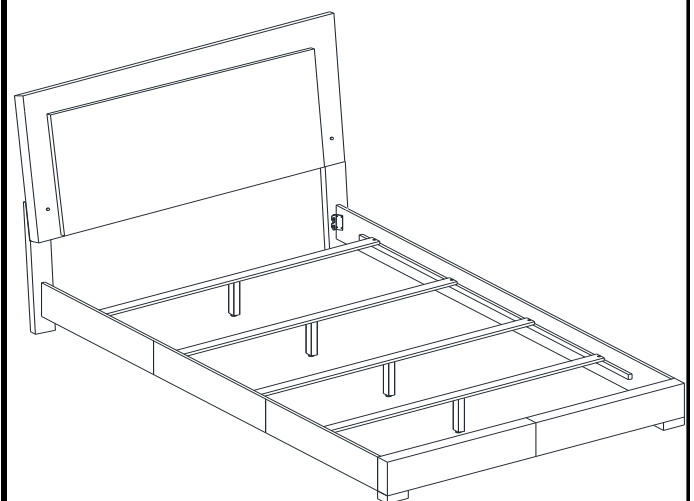


STEP 6



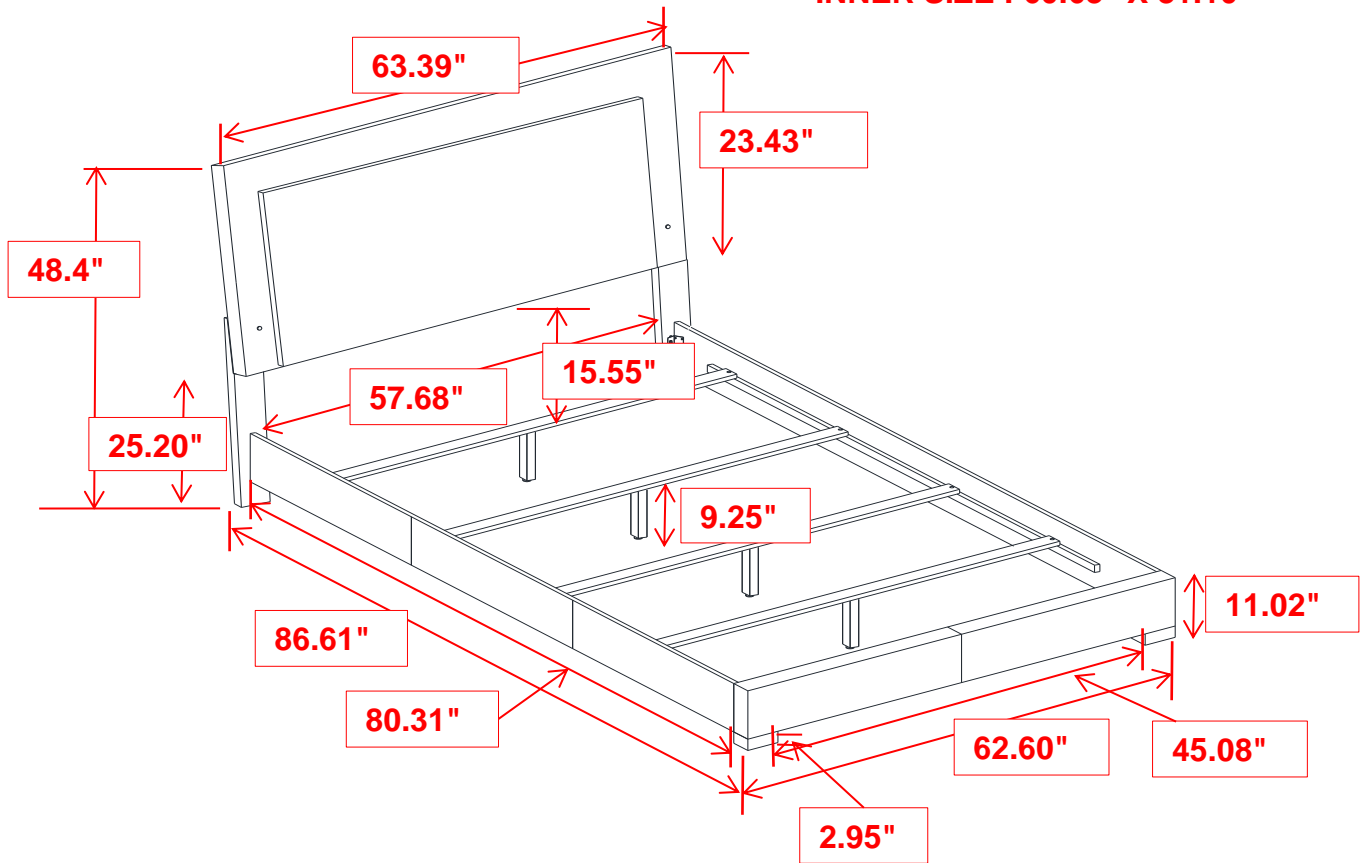
ON & OFF TOUCH SWITCH

**STEP 7
COMPLETE**



ITEM: 203500Q (B1&B2)

INNER SIZE : 60.63" X 81.10"



Note : Dimension tolerance $\pm 5\%$