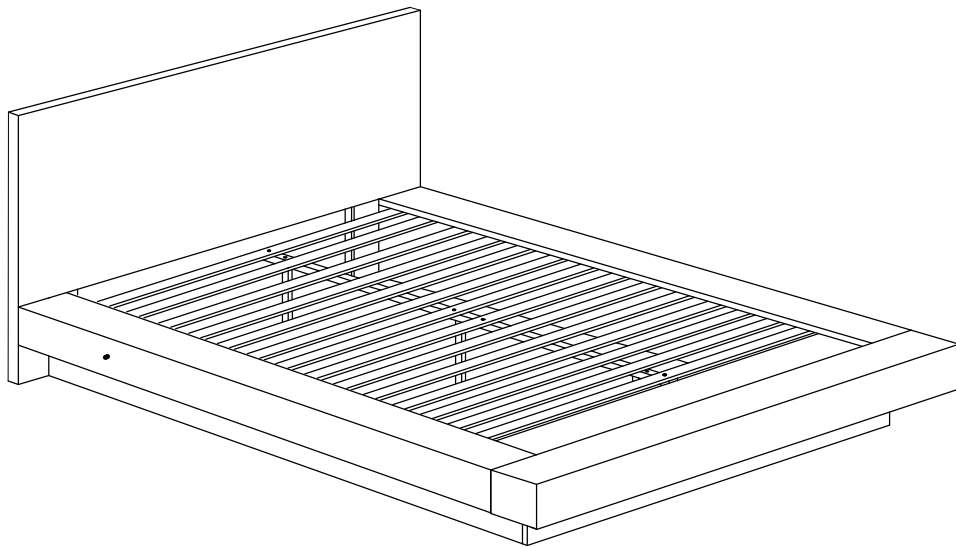




ASSEMBLY INSTRUCTIONS COASTER FINE FURNITURE



Fine Furniture for every stage of life

202990Q (B1-B3) *Queen Bed*

REVISION 0: 06/19/2012
REVISION 1: 09/21/2012
REVISION 2: 12/04/2012
REVISION 3: 01/21/2013
REVISION 4: 11/15/2016
REVISION 5: 09/11/2018
REVISION 6: 12/04/2019

ITEM: 202990Q (B1-B3)



ASSEMBLY INSTRUCTIONS

ASSEMBLY TIPS:

1. Remove hardware from box and sort by size.
2. Please check to see that all hardware and parts are present prior to start of assembly.
3. Please follow attached instructions in the same sequence as numbered to assure fast & easy assembly.



WARNING!

1. Don't attempt to repair or modify parts that are broken or defective. Please contact the store immediately.
2. This product is for home use only and not intended for commercial establishments.



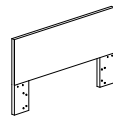
ASSEMBLY TIME

35 MINUTES

PARTS IDENTIFICATION

B1 (BOX 1)

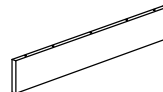
A HEADBOARD



1PC

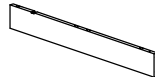
B2 (BOX 2)

B FOOTBOARD



1PC

C LEFT BED RAIL



1PC

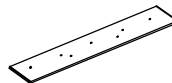
D RIGHT BED RAIL



1PC

B3 (BOX 3)

E CONCEAL PANEL



1PC

F LEFT BED RAIL TOP



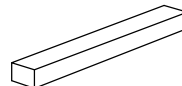
1PC

G RIGHT BED RAIL TOP



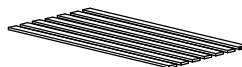
1PC

H FOOTBOARD TOP



1PC

I ROLL SLAT
(7PCS)



2SETS

J CENTER RAIL



1PC

ITEM: 202990Q (B1-B3)



ASSEMBLY INSTRUCTIONS

ASSEMBLY TIPS:

1. Remove hardware from box and sort by size.
2. Please check to see that all hardware and parts are present prior to start of assembly.
3. Please follow attached instructions in the same sequence as numbered to assure fast & easy assembly.



WARNING!

1. Don't attempt to repair or modify parts that are broken or defective. Please contact the store immediately.
2. This product is for home use only and not intended for commercial establishments.

K CENTER RAIL SUPPORT
WITH LEVELER



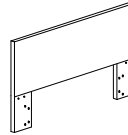
3PCS

L BOTTOM TRESTLE BAR



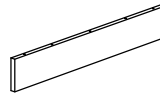
3PCS

A 202990Q (B1)
FROM BOX 1
HEADBOARD



1PC

B 202990Q (B2)
FROM BOX 2
FOOTBOARD



1PC

ITEM: 202990Q (B1-B3)



ASSEMBLY INSTRUCTIONS

ASSEMBLY TIPS:

1. Remove hardware from box and sort by size.
2. Please check to see that all hardware and parts are present prior to start of assembly.
3. Please follow attached instructions in the same sequence as numbered to assure fast & easy assembly.




WARNING!

1. Don't attempt to repair or modify parts that are broken or defective. Please contact the store immediately.
2. This product is for home use only and not intended for commercial establishments.

HARDWARE IDENTIFICATION

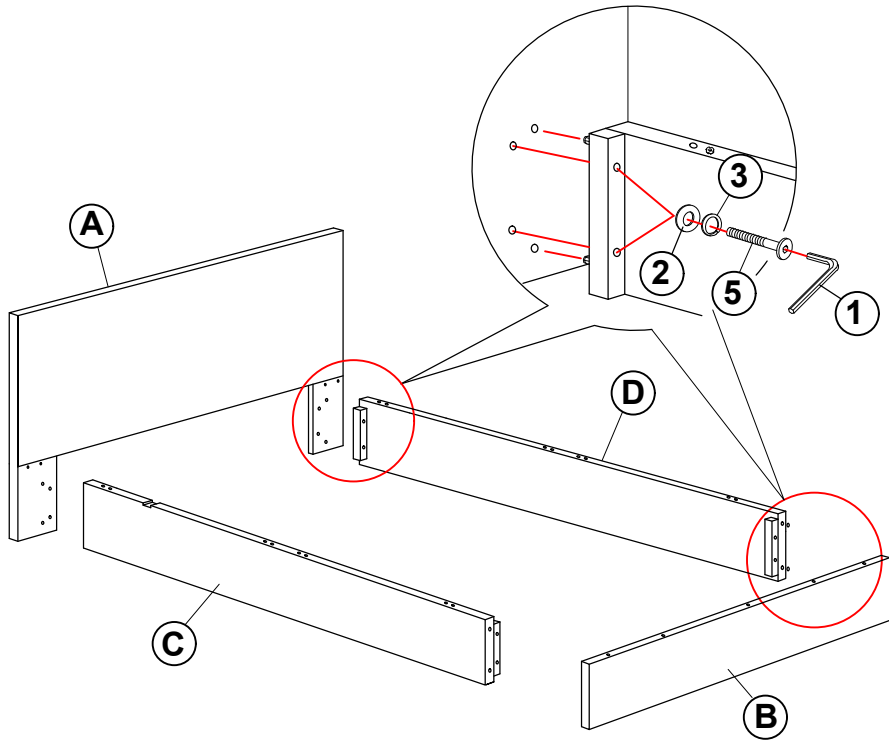
Z-B1 (BOX 1) - HARDWARE PACK IS LOCATED IN 202990Q (B1)

1	ALLEN WRENCH (M4 - BLK)		1PC
2	FLAT WASHER (5/16" x 18 x 1.2 - RBW)		20PCS
3	LOCK WASHER (5/16" - RBW)		20PCS
4	SHORT BOLT (M6 x 30mm - RBW)		10PCS
5	LONG BOLT (M6 x 45mm - RBW)		26PCS
6	LIGHT SET (F101-114(1.64mm) - BRN)		1SET
7	LONG FLAT HEAD SCREW (M4 x 38mm - BLK)		2PCS
8	WOOD DOWEL (M8 x 30mm)		19PCS
9	ZIG ZAG SPRING CLICK (1.5 x 20.5 x 24 - BRN)		5PCS
10	SHORT FLAT HEAD SCREW (M4 x 16mm - RBW)		28PCS
11	BARREL NUT (M6 x 13mm - BLK)		10PCS

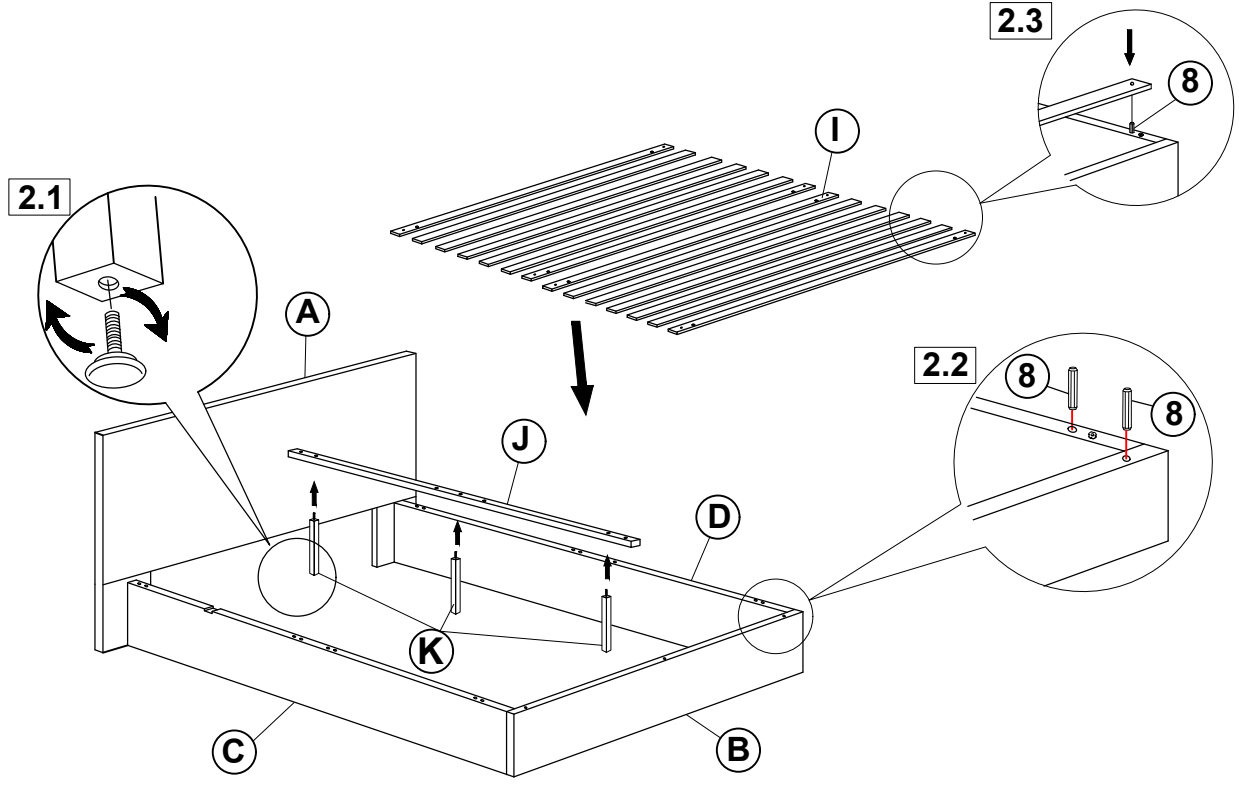
NOTE:

Phillips head screw driver is required in the assembly process; however, manufacturer does not provide this item.

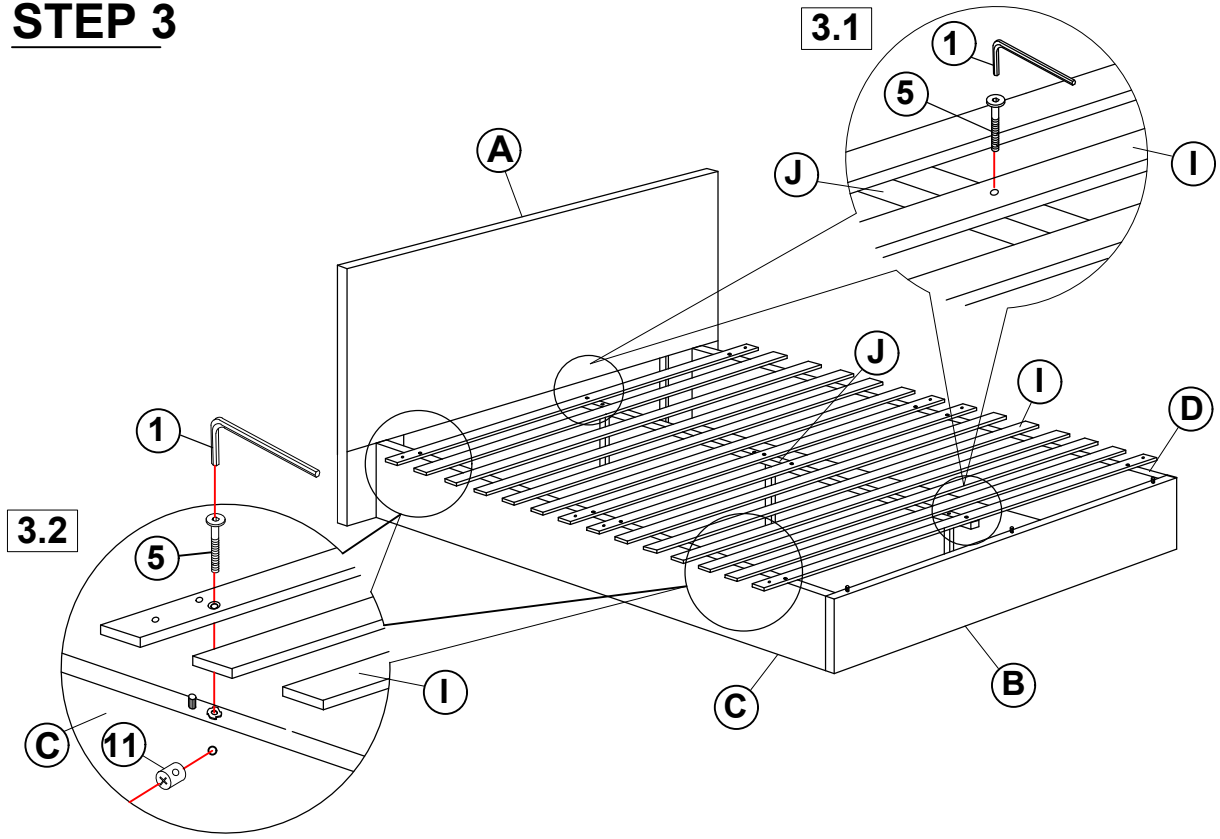
ITEM: **202990Q (B1-B3)**
ASSEMBLY INSTRUCTIONS
STEP 1



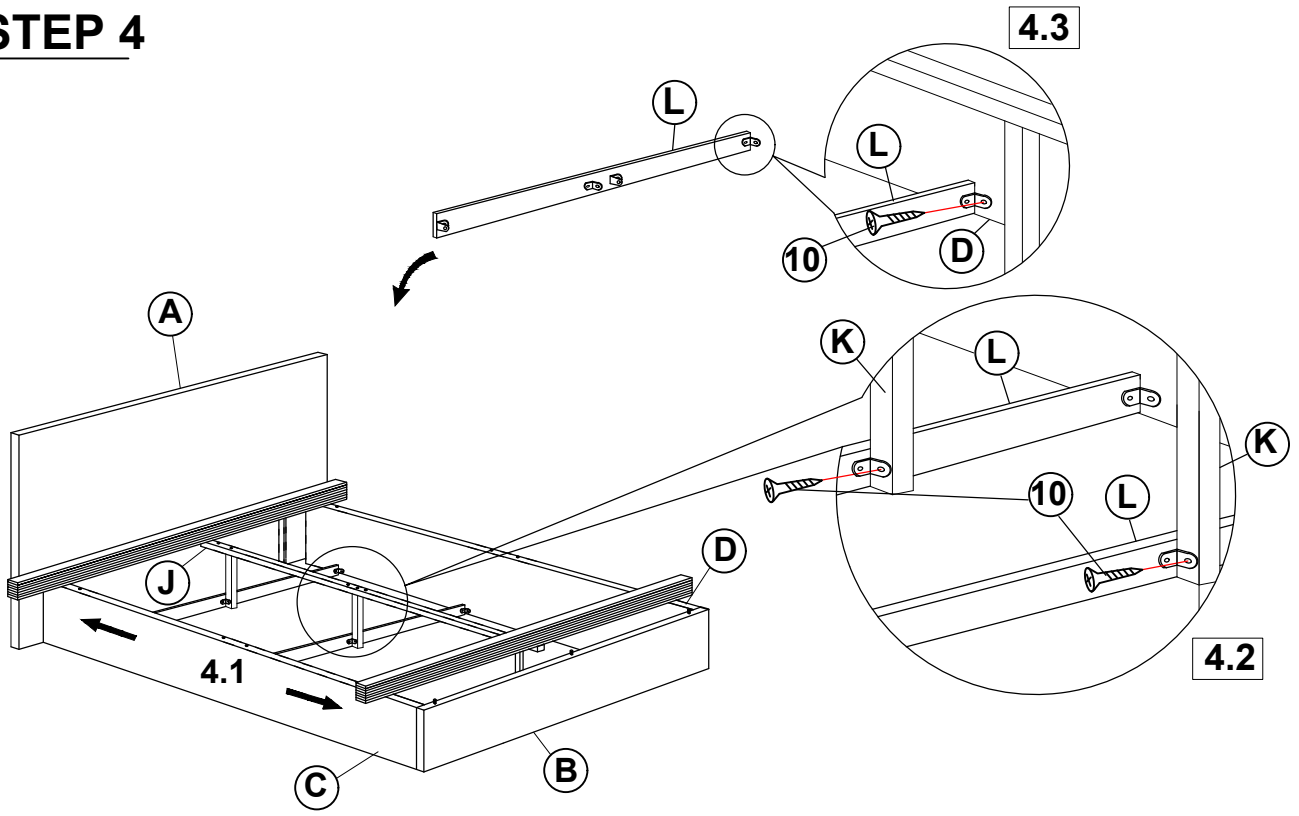
STEP 2



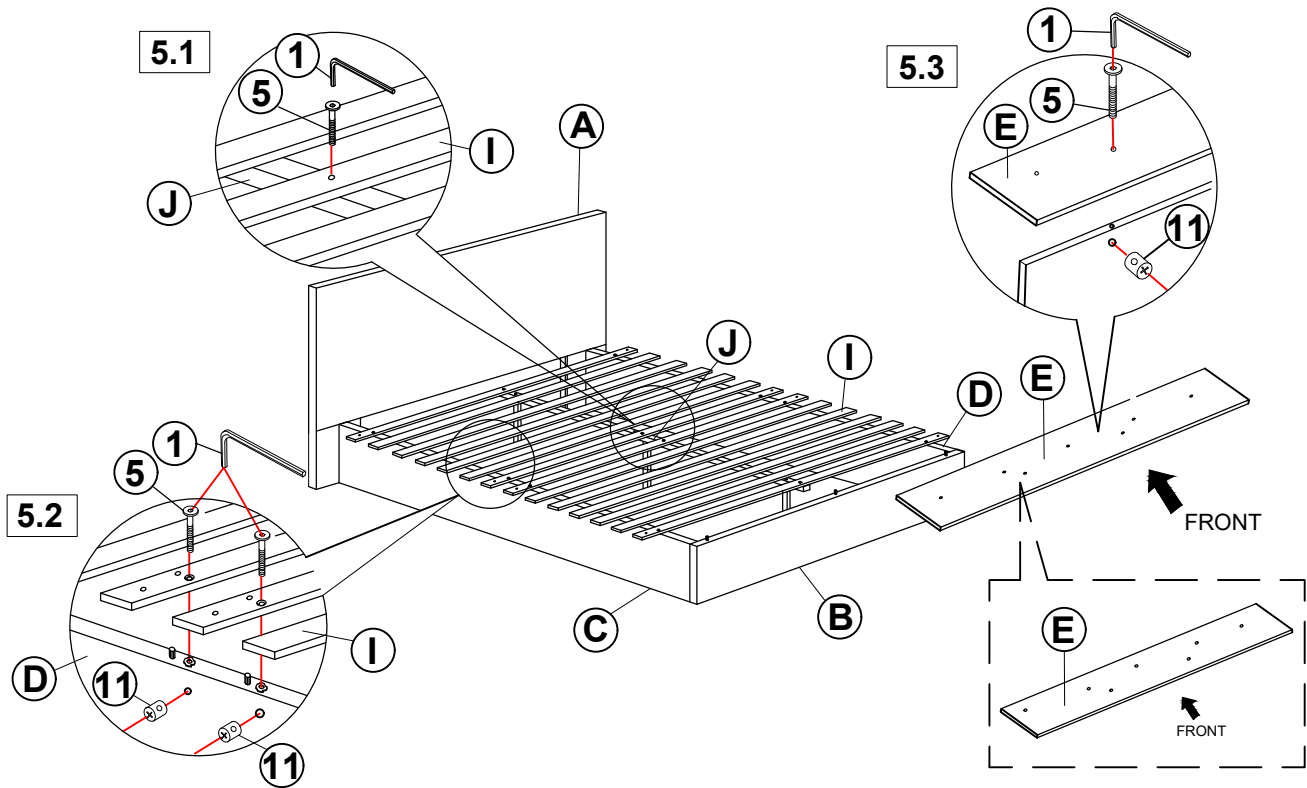
ITEM: **202990Q (B1-B3)**
ASSEMBLY INSTRUCTIONS
STEP 3



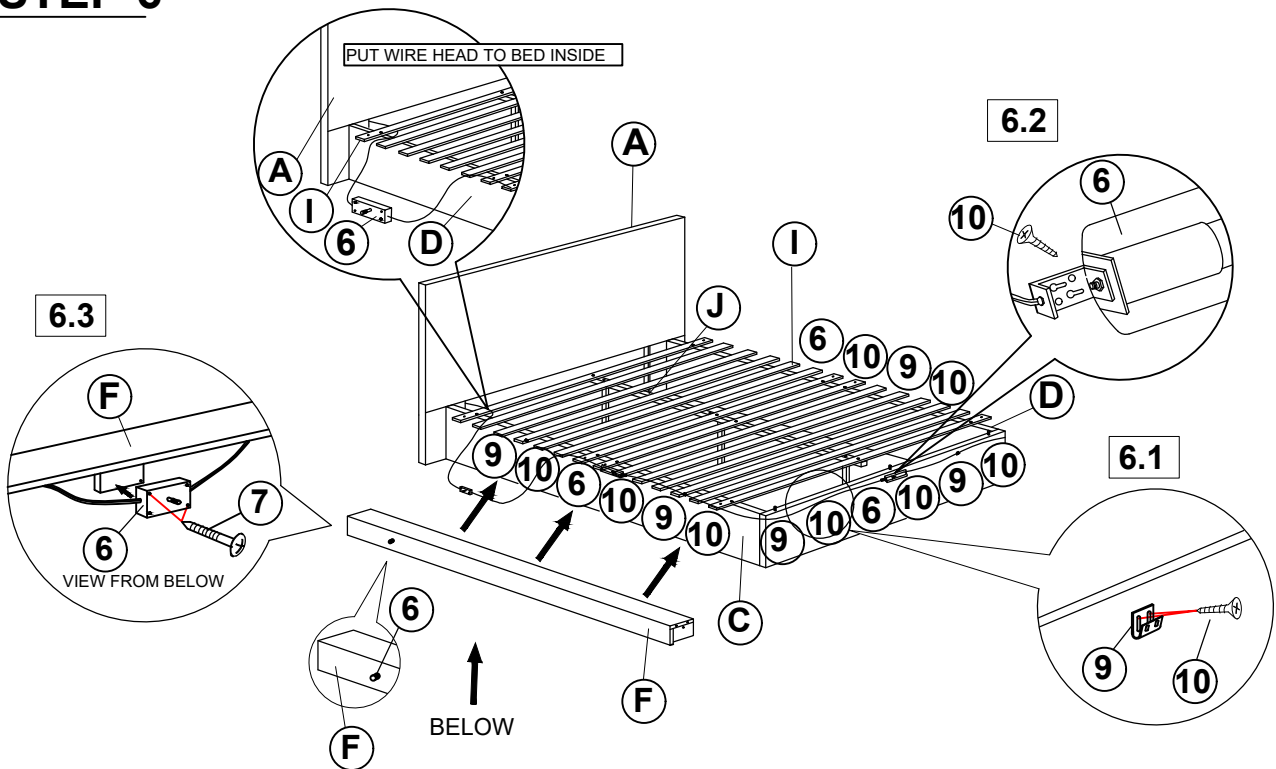
STEP 4



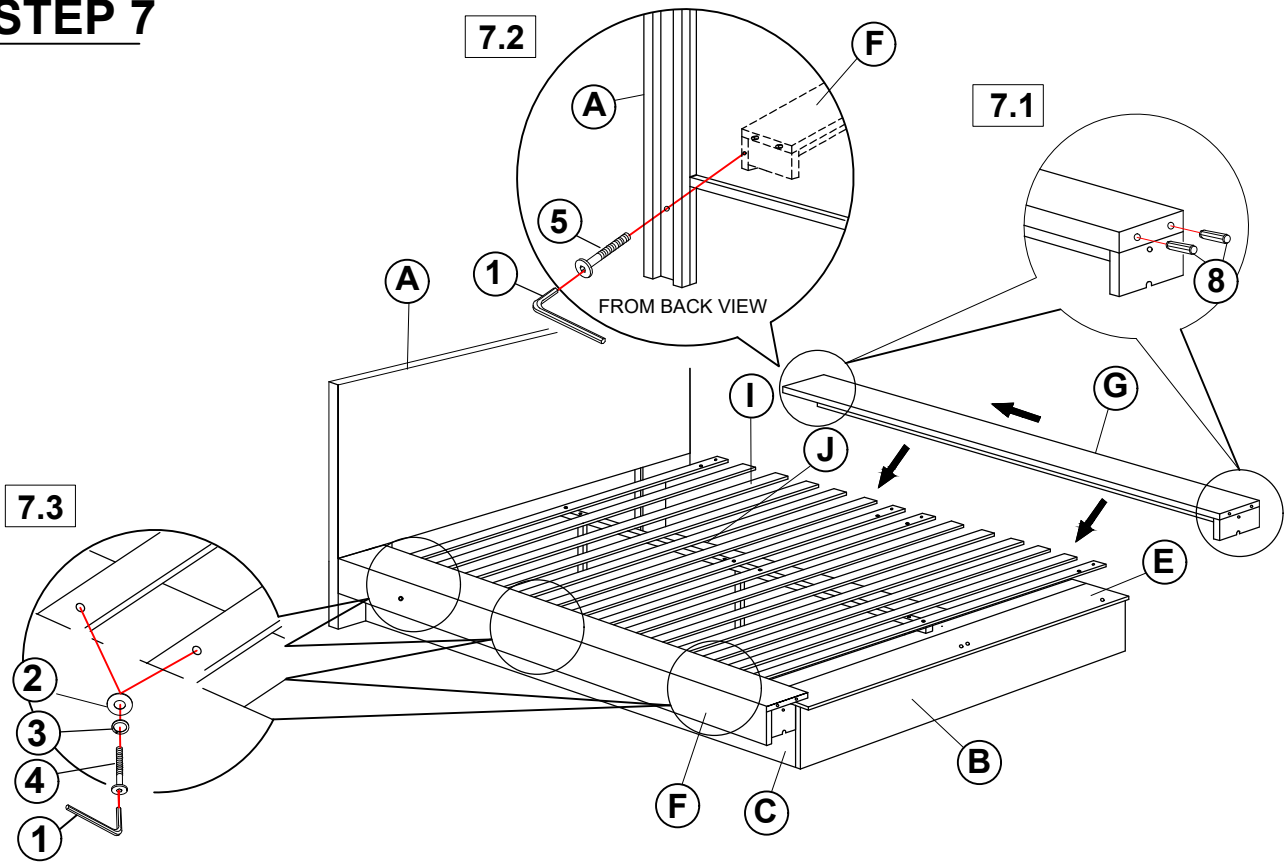
ITEM: **202990Q (B1-B3)**
ASSEMBLY INSTRUCTIONS
STEP 5



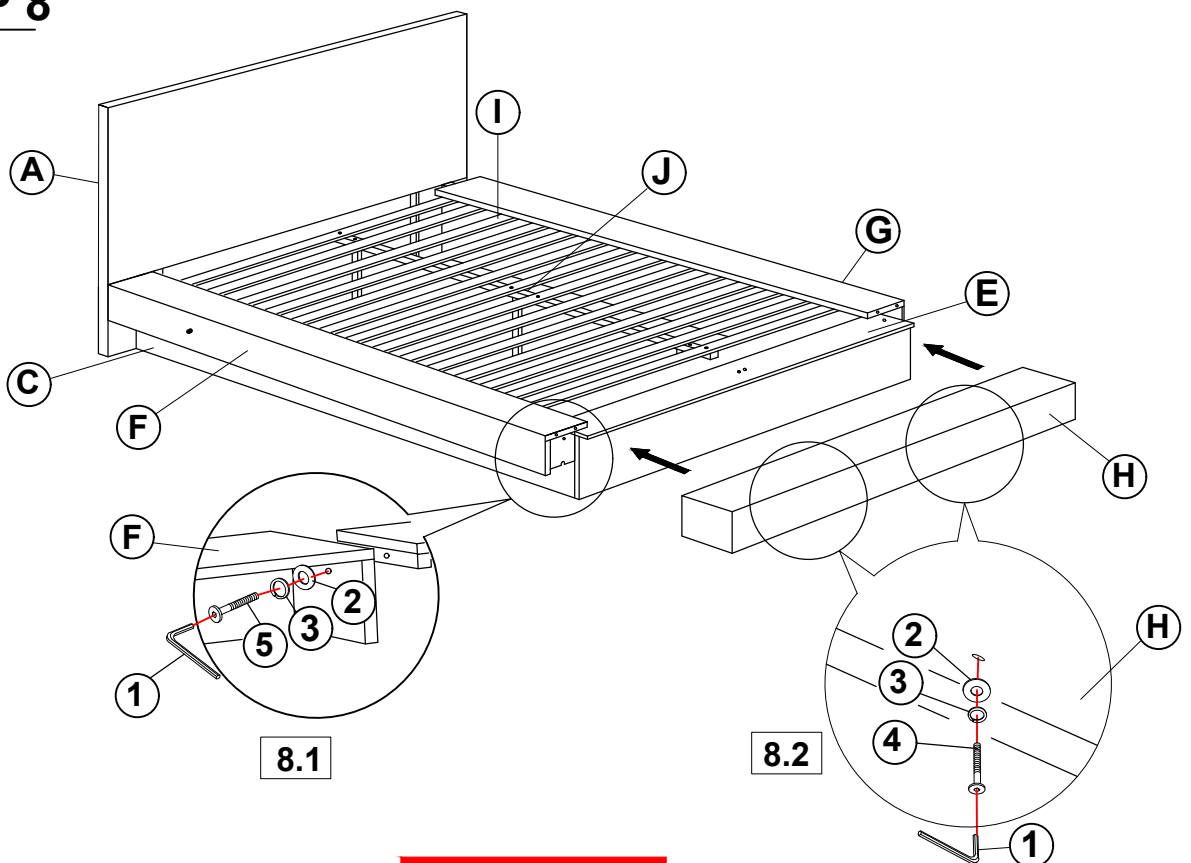
STEP 6



ITEM: **202990Q (B1-B3)**
ASSEMBLY INSTRUCTIONS
STEP 7



STEP 8



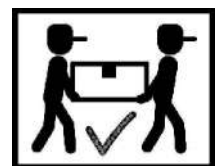
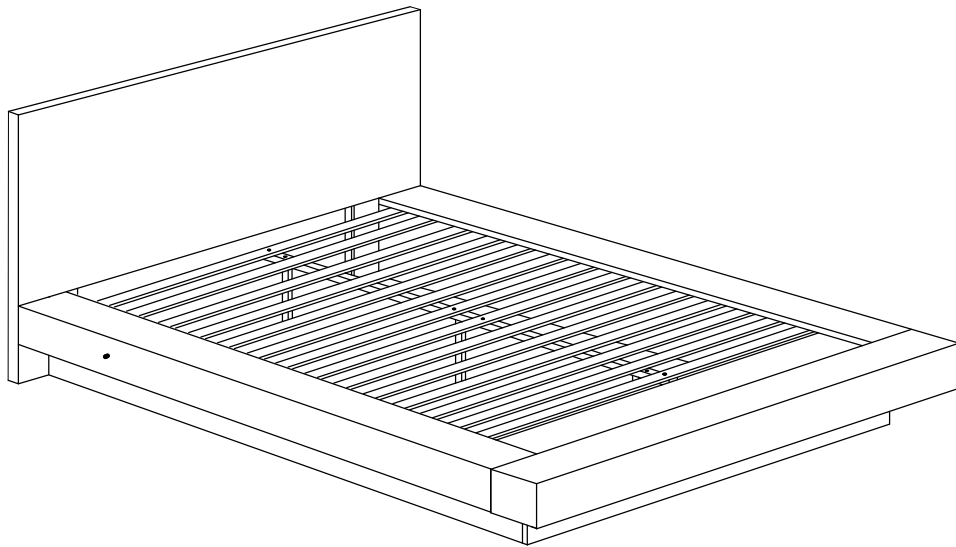
ITEM: **202990Q (B1-B3)**



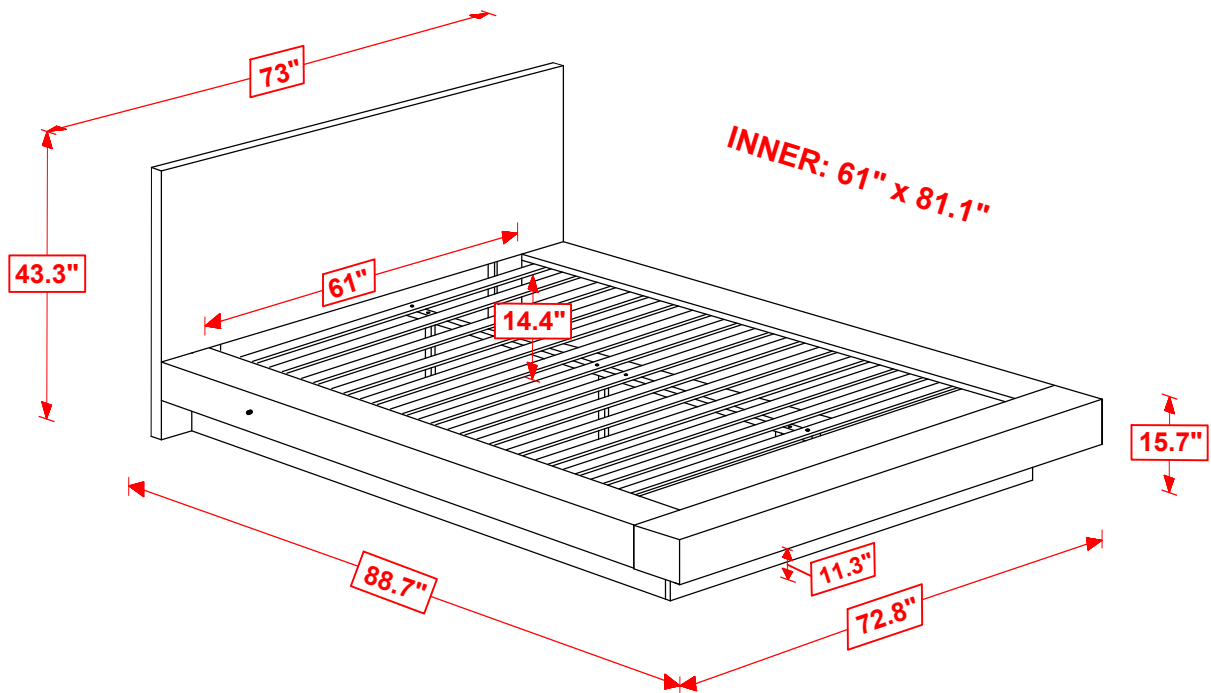
ASSEMBLY INSTRUCTIONS

STEP 9

COMPLETE



ITEM: 202990Q (B1-B3)



NOTE : DIMENSION TOLERANCE \pm 5%

COASTERFURNITURE.COM