



ASSEMBLY INSTRUCTIONS COASTER FINE FURNITURE



Fine Furniture for every stage of life

106581(B1&B2) Dining Table

REVISION 0:02/10/2015
REVISION 1:10/16/2017
REVISION 2:07/22/2019

PAGE 1 OF 4

COASTERFURNITURE.COM

ITEM : 106581(B1&B2)

ASSEMBLY INSTRUCTIONS



ASSEMBLY TIPS:

1. Remove hardware from box and sort by size.
2. Please check to see that all hardware and parts are present prior to start of assembly.
3. Please follow attached instructions in the same sequence as numbered to assure fast & easy assembly.



WARNING!

1. Don't attempt to repair or modify parts that are broken or defective. Please contact the store immediately.
2. This product is for home use only and not intended for commercial establishments.



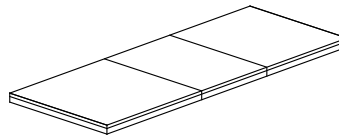
ASSEMBLY TIME

10 MINUTES

PARTS IDENTIFICATION

B1 (BOX 1)

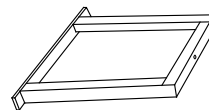
A TOP



1PC

B2 (BOX 2)

B LEG FRAME



2PCS

C STRETCHER

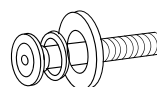


2PCS

HARDWARE IDENTIFICATION

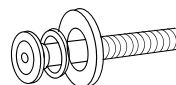
Z-B1 (BOX 1) - HARDWARE PACK IS LOCATED IN 106581 (B1)

1 SHORT BOLT WITH WASHER
(M6 x 40mm - BLK)



8PCS

2 LONG BOLT WITH WASHER
(M6 x 60mm - BLK)



2PCS

3 HEX NUT
(5/16 - GD)



2PCS

4 LOCK WASHER
(M8 X 13mm - GD)



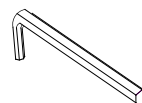
2PCS

5 FLAT WASHER
(M8 X 22mm - GD)



2PCS

6 ALLEN WRENCH
(M4 - GD)



1PC

7 WRENCH
(12.8 - GD)

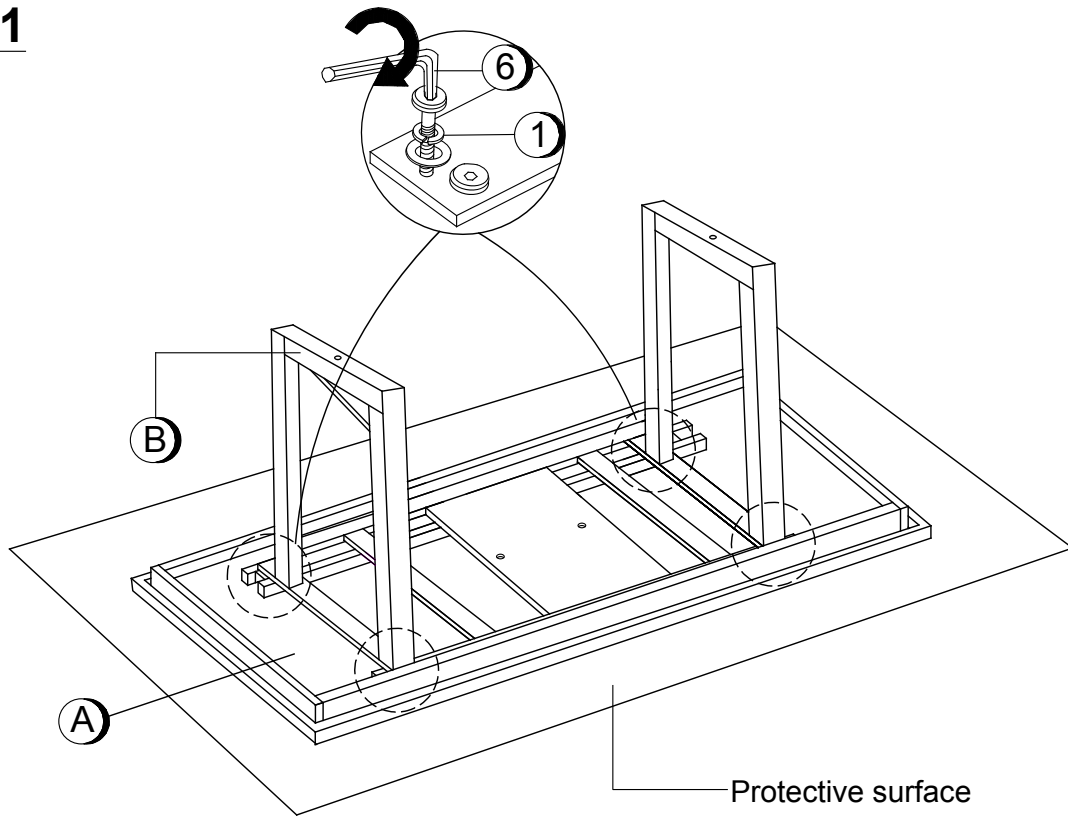


1PC

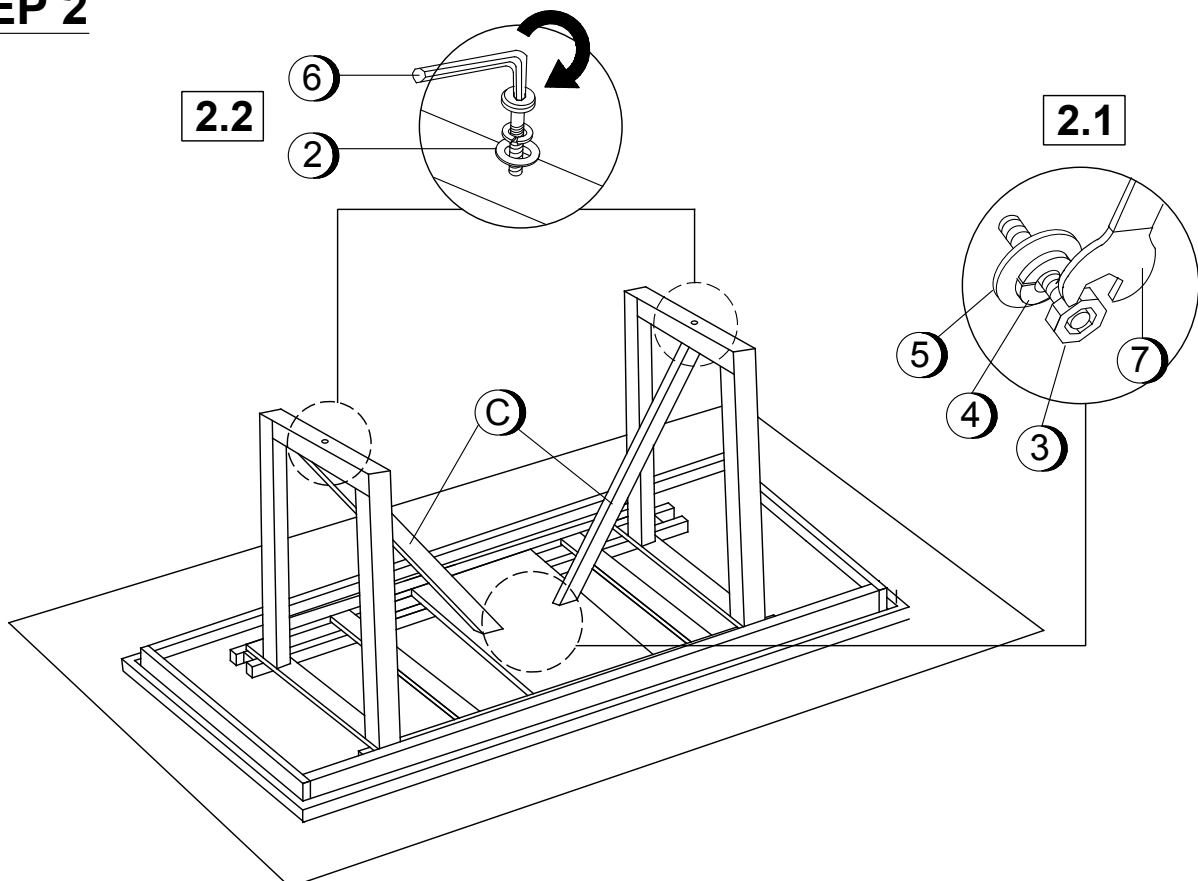
ITEM : 106581(B1&B2)

ASSEMBLY INSTRUCTIONS

STEP 1



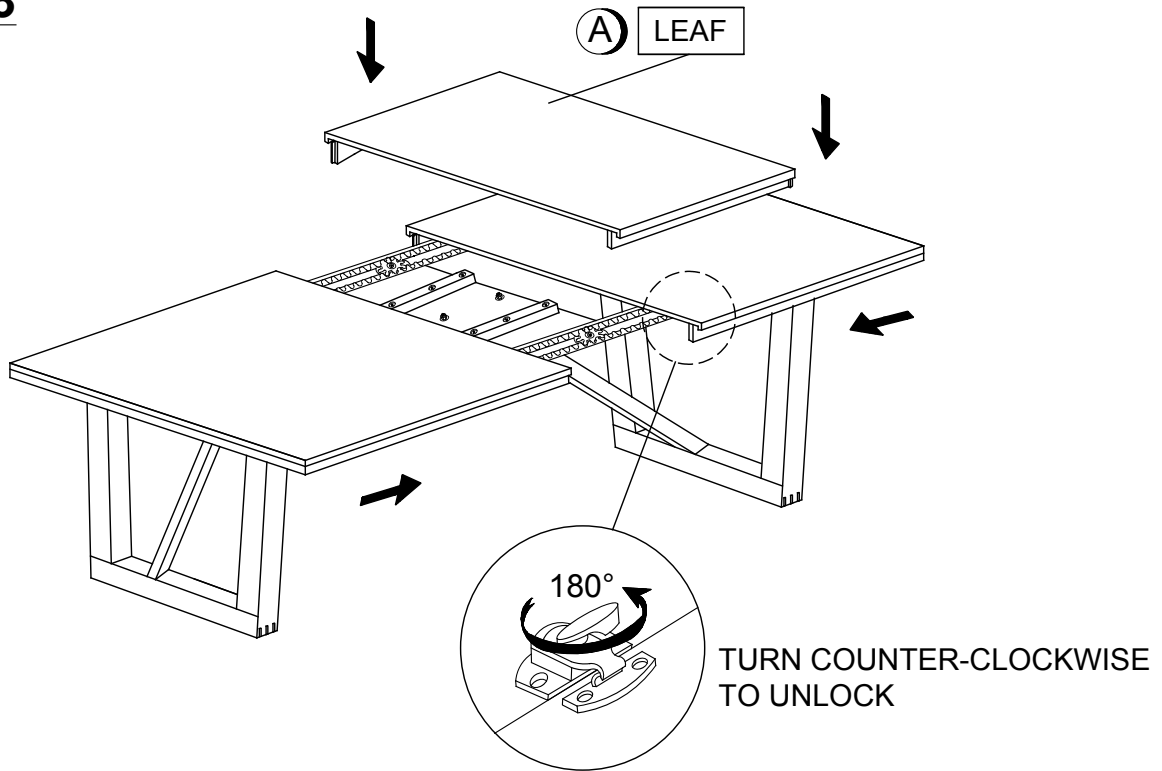
STEP 2



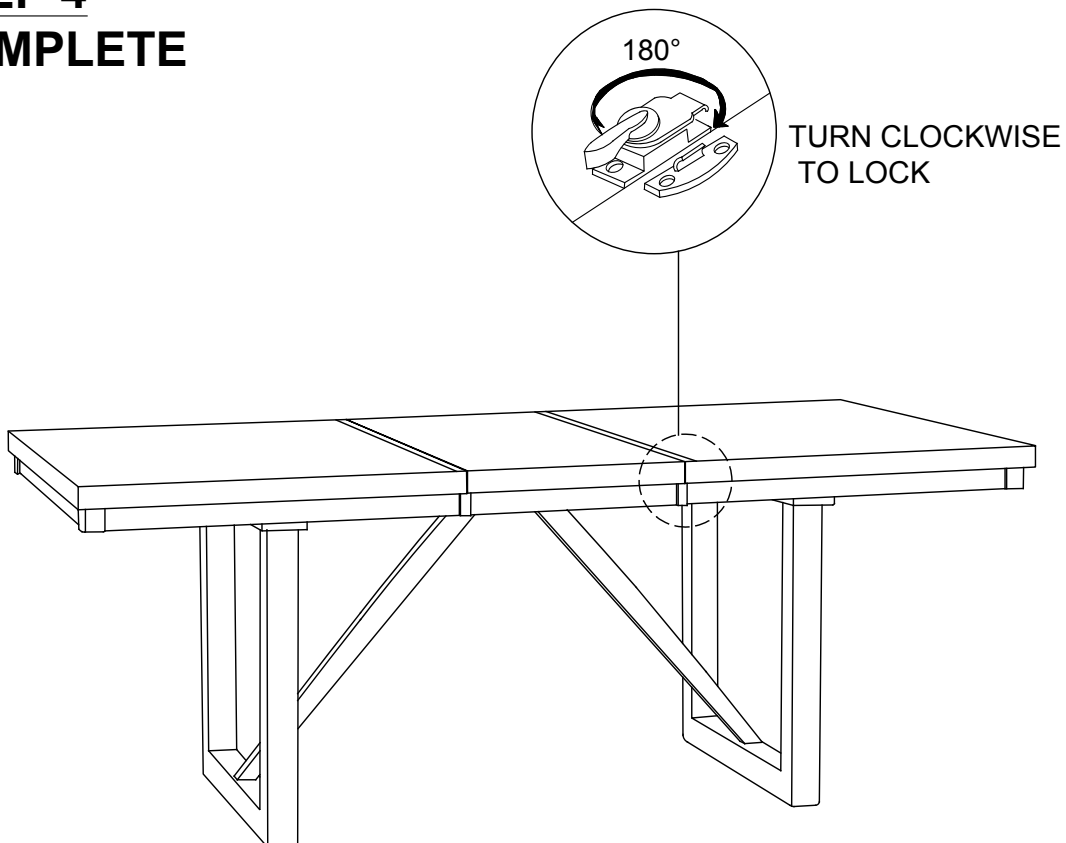
ITEM : **106581(B1&B2)**
ASSEMBLY INSTRUCTIONS



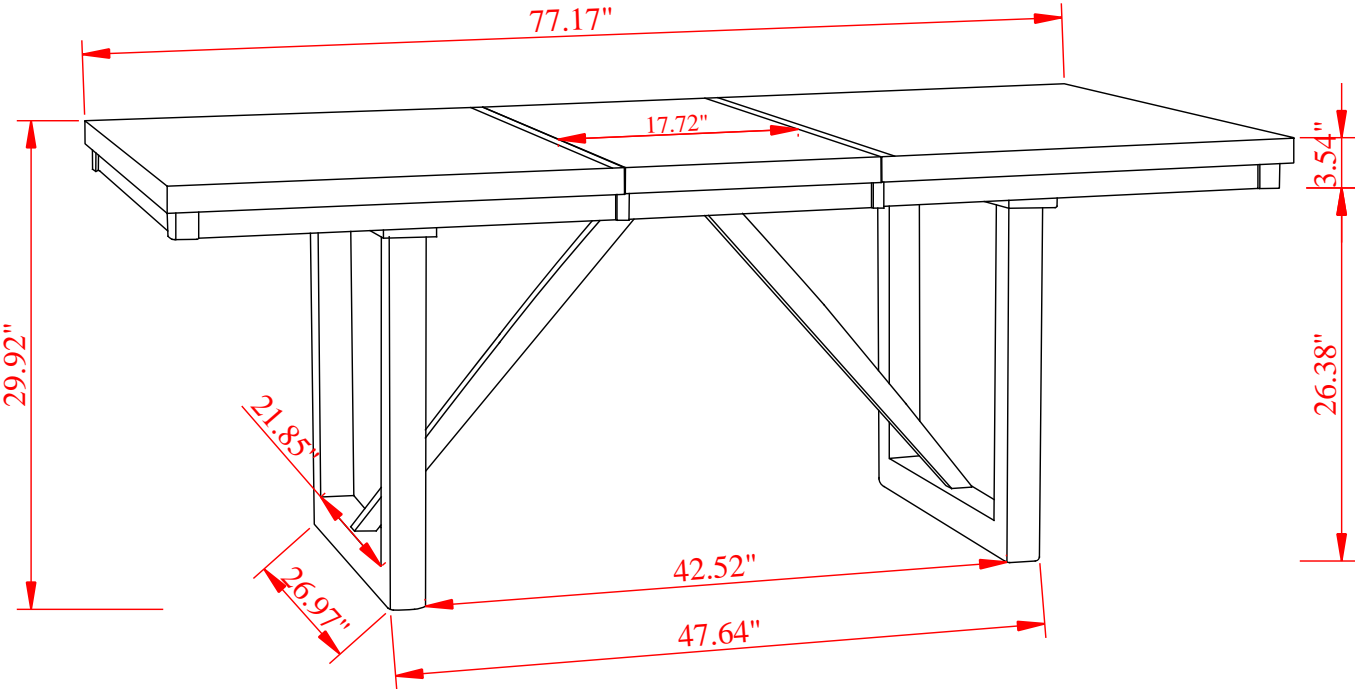
STEP 3



STEP 4
COMPLETE



ITEM : 106581(B1&B2)



Note: Dimension tolerance $\pm 5\%$