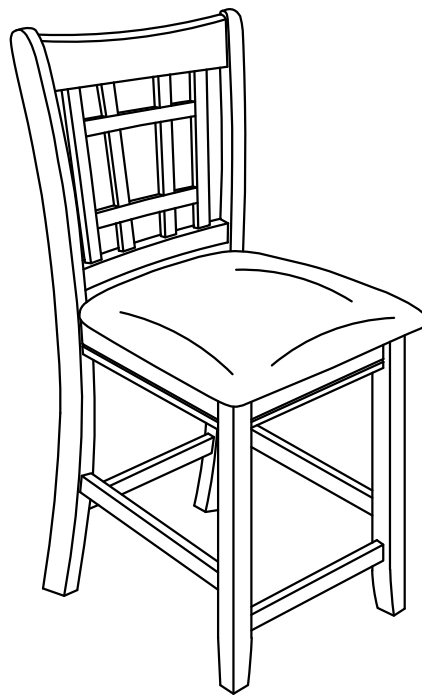




ASSEMBLY INSTRUCTIONS COASTER FINE FURNITURE



Fine Furniture for every stage of life

102889
Counter Height Chair

REVISION 0: 05/11/2010
REVISION 1: 09/11/2012
REVISION 2: 12/02/2019

PAGE 1 OF 3

COASTERFURNITURE.COM

ITEM: **102889**



ASSEMBLY INSTRUCTIONS

ASSEMBLY TIPS:

1. Remove hardware from box and sort by size.
2. Please check to see that all hardware and parts are present prior to start of assembly.
3. Please follow attached instructions in the same sequence as numbered to assure fast & easy assembly.



WARNING!

1. Don't attempt to repair or modify parts that are broken or defective. Please contact the store immediately.
2. This product is for home use only and not intended for commercial establishments.



ASSEMBLY TIME

5 MINUTES

PARTS IDENTIFICATION

1 BACK FRAME



1PC

2 SEAT CUSHION WITH FRAME



1PC

3L LEFT SIDE STRETCHER



1PC

3R RIGHT SIDE STRETCHER



1PC

4L LEFT FRONT LEG



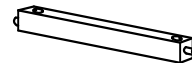
1PC

4R RIGHT FRONT LEG



1PC

5 FRONT STRETCHER



1PC

HARDWARE IDENTIFICATION

A LONG BOLT
(Ø1/4" x 3" - RBW)



4PCS

B MEDIUM BOLT
(Ø1/4" x 2-1/2" - RBW)



4PCS

C SHORT BOLT
(Ø1/4" x 1-1/2" - RBW)



1PC

D LOCK WASHER
(Ø5/16" - RBW)



9PCS

E FLAT WASHER
(Ø5/16" - RBW)



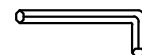
9PCS

F FLAT HEAD SCREW
(Ø4 x 40mm - RBW)



6PCS

G ALLEN WRENCH
(M4 x 59mm - RBW)



1PC

NOTE:

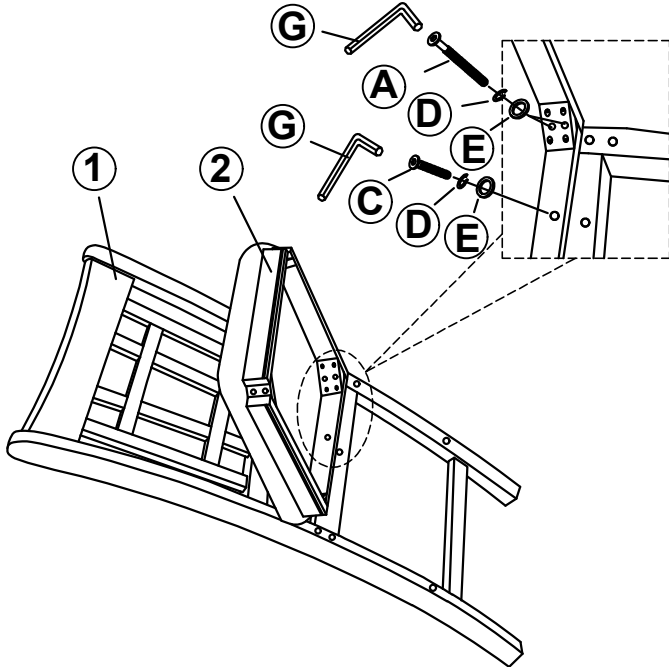
Quantities shown are for one chair.

Phillips head screw driver is required in the assembly process; however, manufacturer does not provide this item.

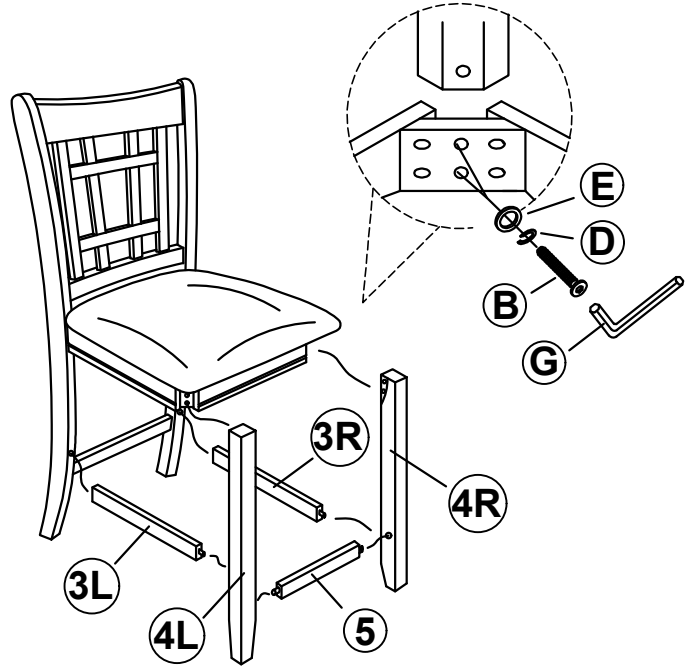
ITEM: **102889**

ASSEMBLY INSTRUCTIONS

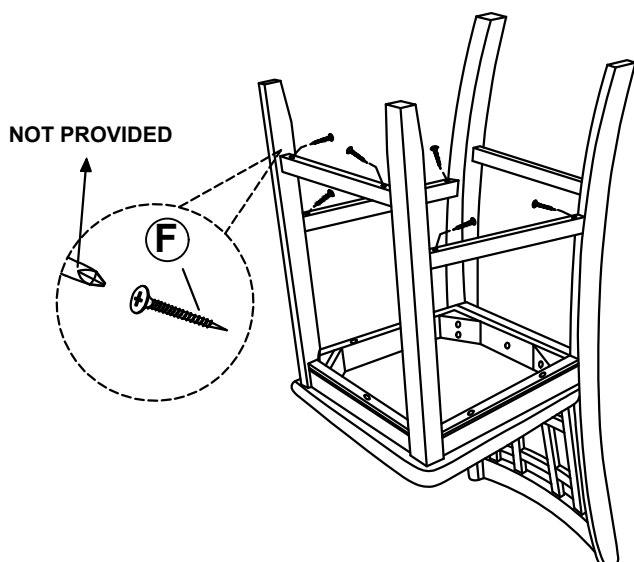
STEP 1



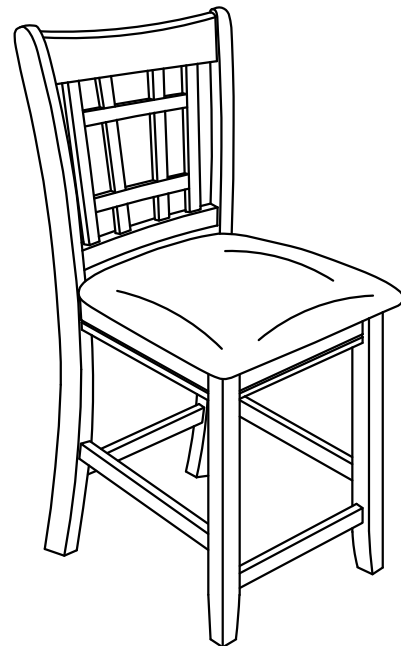
STEP 2



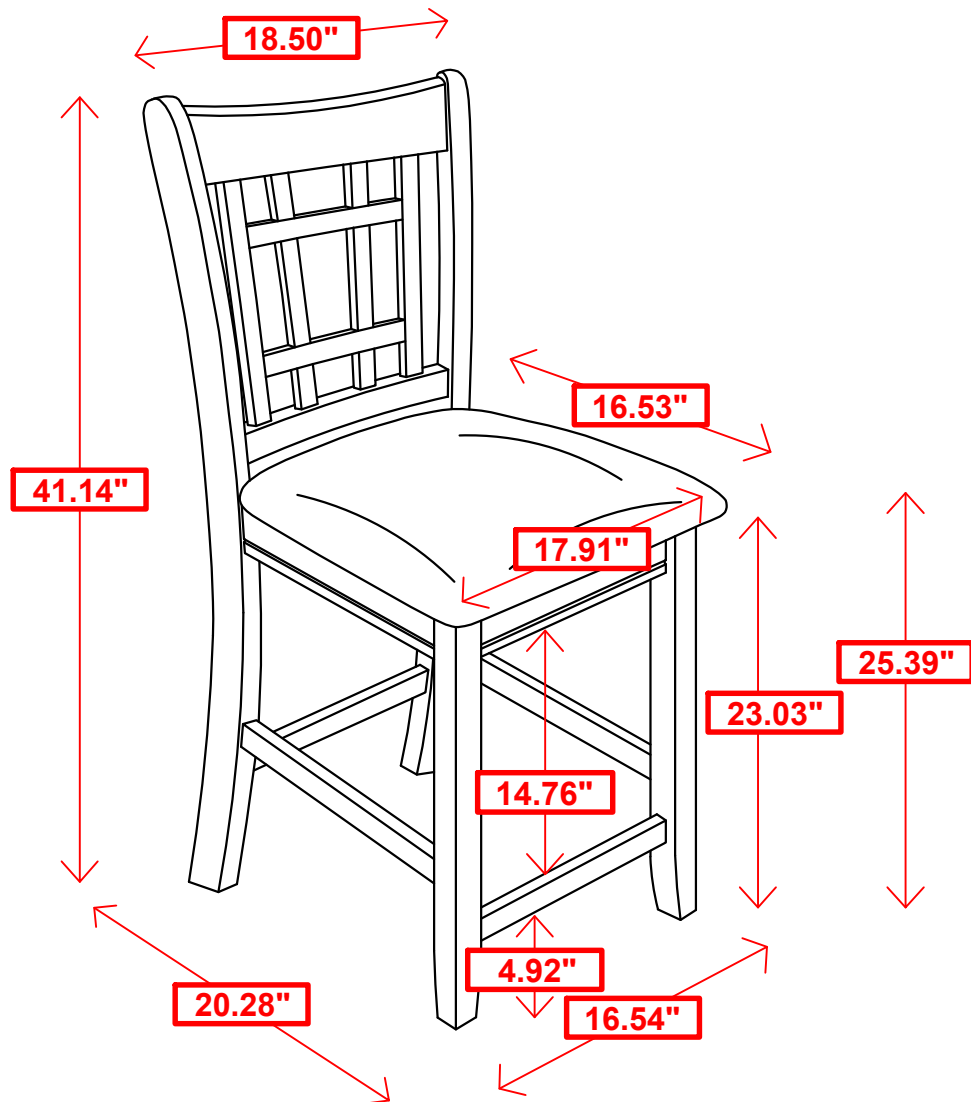
STEP 3



STEP 4
COMPLETE



ITEM: **102889**



Note: Dimension tolerance $\pm 5\%$