

ASSEMBLY INSTRUCTIONS
COASTER FINE FURNITURE



Fine Furniture for every stage of life

950724
TALL CABINET

ITEM:950724

ASSEMBLY INSTRUCTIONS

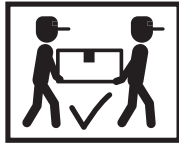
ASSEMBLY TIPS:

1. Remove hardware from box and sort by size.
2. Please check to see that all hardware and parts are present prior to start of assembly.
3. Please follow attached instructions in the same sequence as numbered to assure fast & easy assembly.



WARNING!

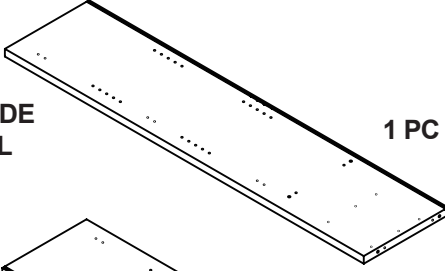
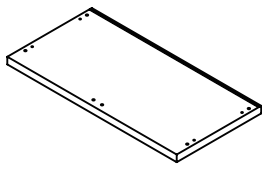
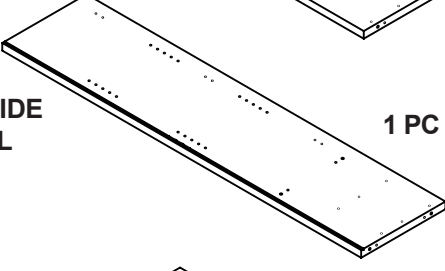
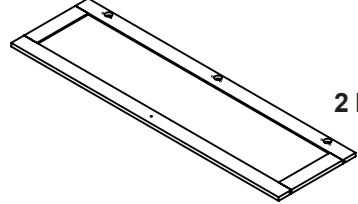
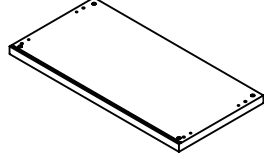
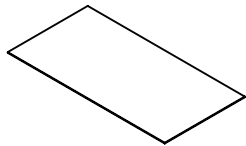
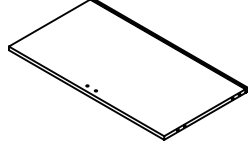
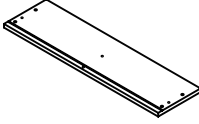
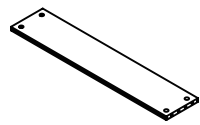
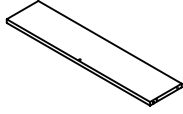
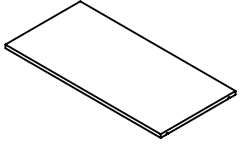
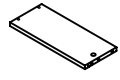
1. Don't attempt to repair or modify parts that are broken or defective. Please contact the store immediately.
2. This product is for home use only and not intended for commercial establishments.



ASSEMBLY TIME

50 MINUTES

PARTS IDENTIFICATION

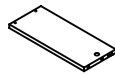
A	LEFT SIDE PANEL		1 PC	G	TOP PANEL		1 PC
B	RIGHT SIDE PANEL		1 PC	H	DOOR		2 PCS
C	BOTTOM PANEL		1 PC	I	UPPER BACK PANEL		3 PCS
D	LOWER CROSS PANEL		1 PC	J	DRAWER FRONT PANEL		2 PCS
E	BACK BRACE		1 PC	K	DRAWER BACK PANEL		2 PCS
F	ADJUSTABLE SHELF		2 PCS	L	LEFT DRAWER SIDE PANEL		2 PCS

NOTE:

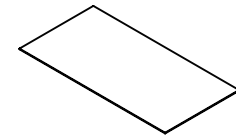
Phillips head screw driver is required in the assembly process; however, manufacturer does not provide this item.

ITEM:950724

M RIGHT DRAWER SIDE PANEL 2 PCS



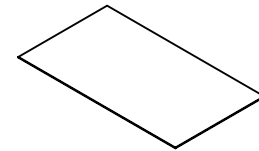
O DRAWER BOTTOM PANEL 2 PCS



N DRAWER SUPPORT 2 PCS



P DOWN BACK PANEL 1 PC



Z

HARDWARE IDENTIFICATION

NO	DESCRIPTION	FIGURE	Q'TY	NO	DESCRIPTION	FIGURE	Q'TY
1	GLUE 40g		1 PC	11	HANDLE		4 PCS
2	WOODEN DOWEL Ø 8x30mm		24 PCS	12	HANDLE BOLT		4 PCS
3	CAM BOLT Ø 7x35.5mm		14 PCS	13	HINGE		6 PCS
4	CAM LOCK Ø 15x12mm		14 PCS	14	HINGE SCREW Ø 4x15mm		24 PCS
5	BOLT Ø 9.5x55mm		8 PCS	15	FOOT		4 PCS
6	DRAWER SCREW Ø 4.3x35mm		10 PCS	16	FOOT BOLT M6x42mm		4 PCS
7	PIN Ø 4.9x8mm		8 PCS	17	FIXER		6 PCS
8	DOOR CATCH		2 PCS	18	FIXER SCREW Ø 3x19mm		6 PCS
9	GLIDES L = 350mm		2 SET	19	PLASTIC BACK BRACE		1 PC
10	GLIDES SCREW Ø 3x12mm		24 PCS	20	STICKER Ø 20mm		3 PCS

Z9,Z11,Z12,Z13,Z15,Z19 not included in blister packaging.

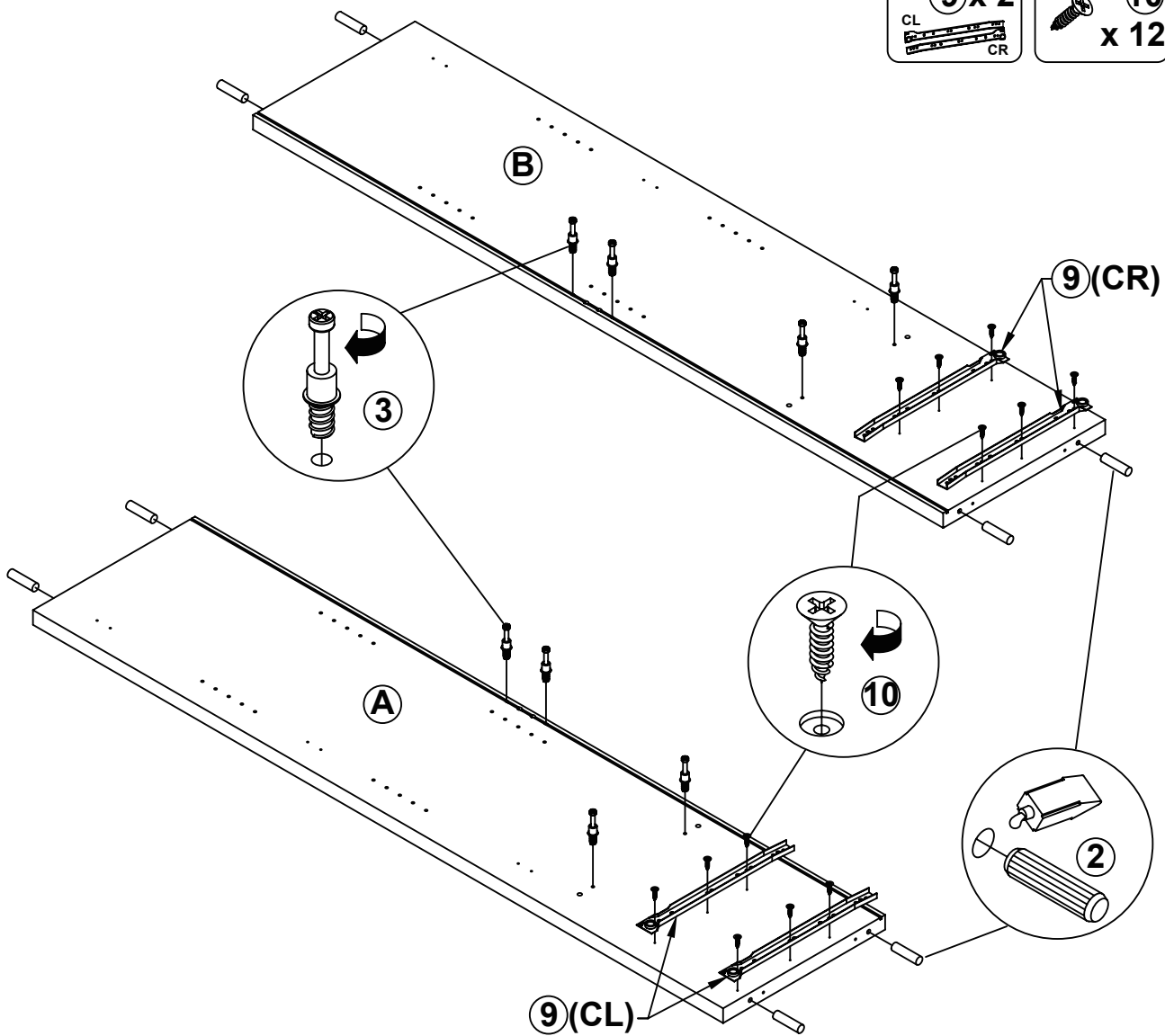
NOTE:

Phillips head screw driver is required in the assembly process; however, manufacturer does not provide this item.

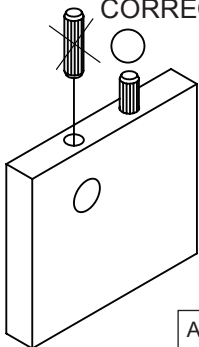
ITEM: 950724

STEP 1

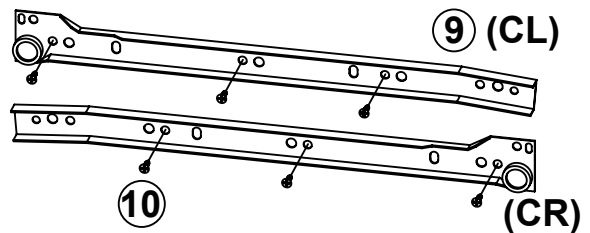
- ② x 8
- ③ x 8
- ⑨ x 2 (CL, CR)
- ⑩ x 12



INCORRECT
CORRECT

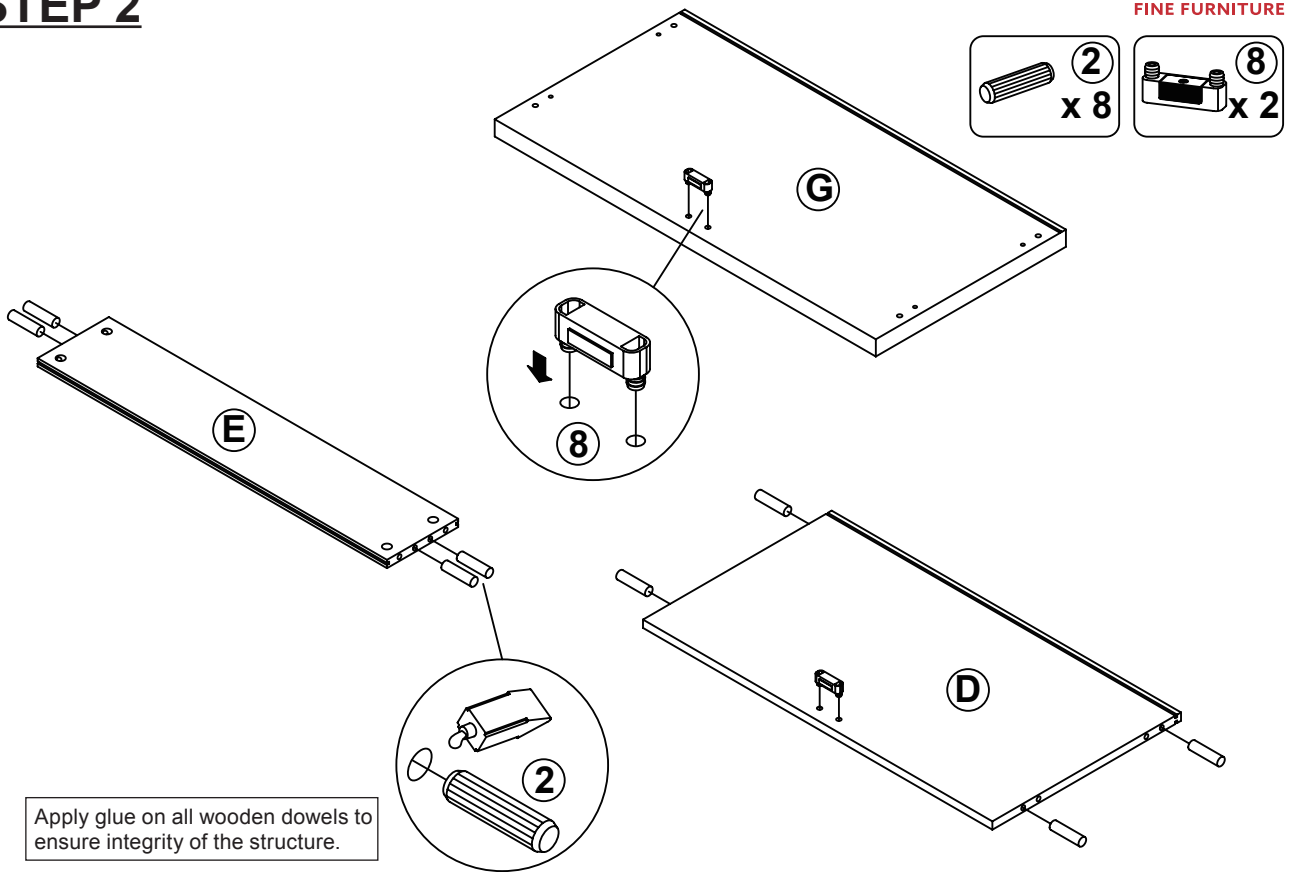


Apply glue on all wooden dowels to ensure integrity of the structure.

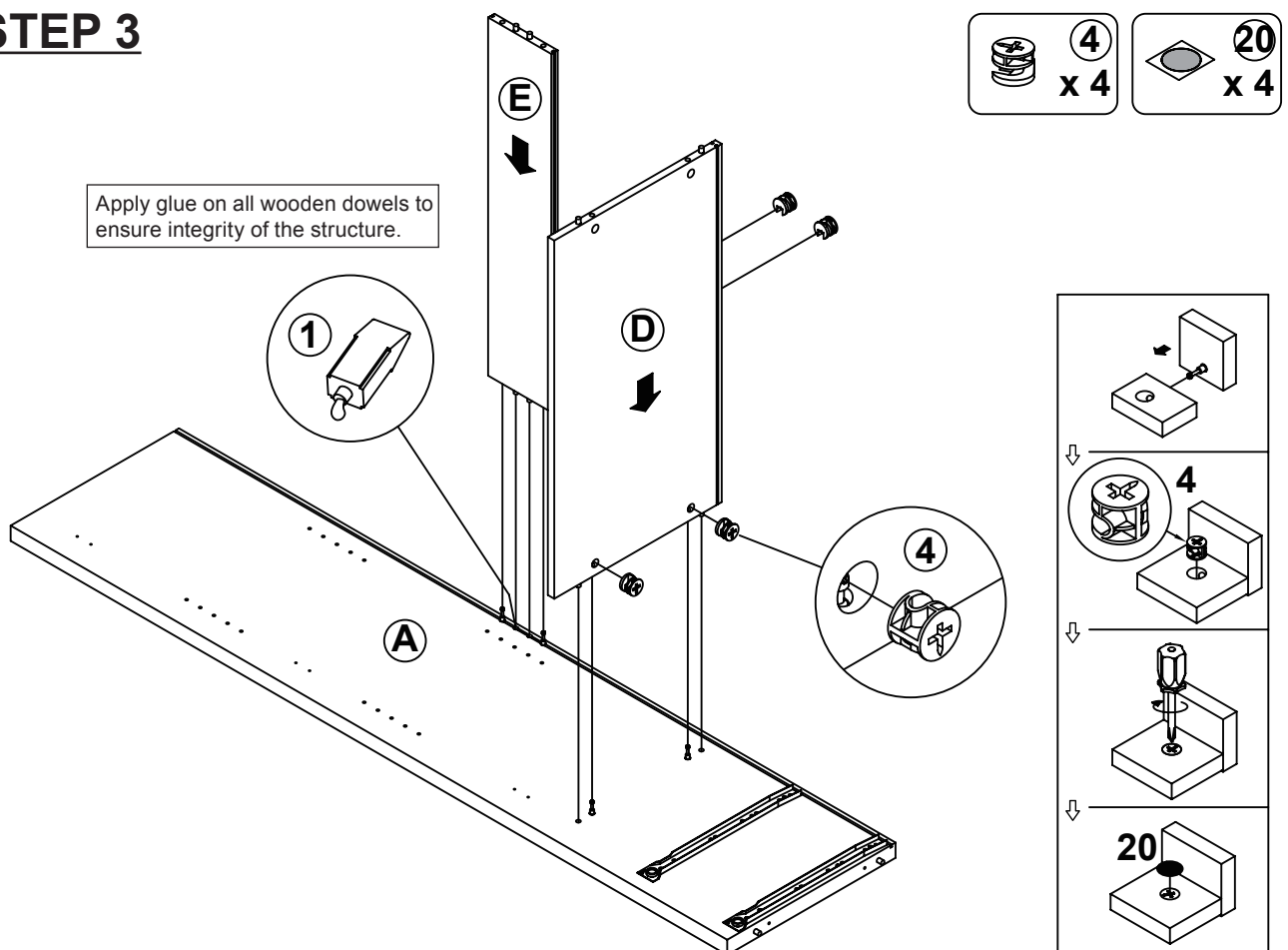


ITEM: **950724**

STEP 2



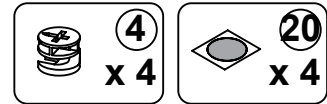
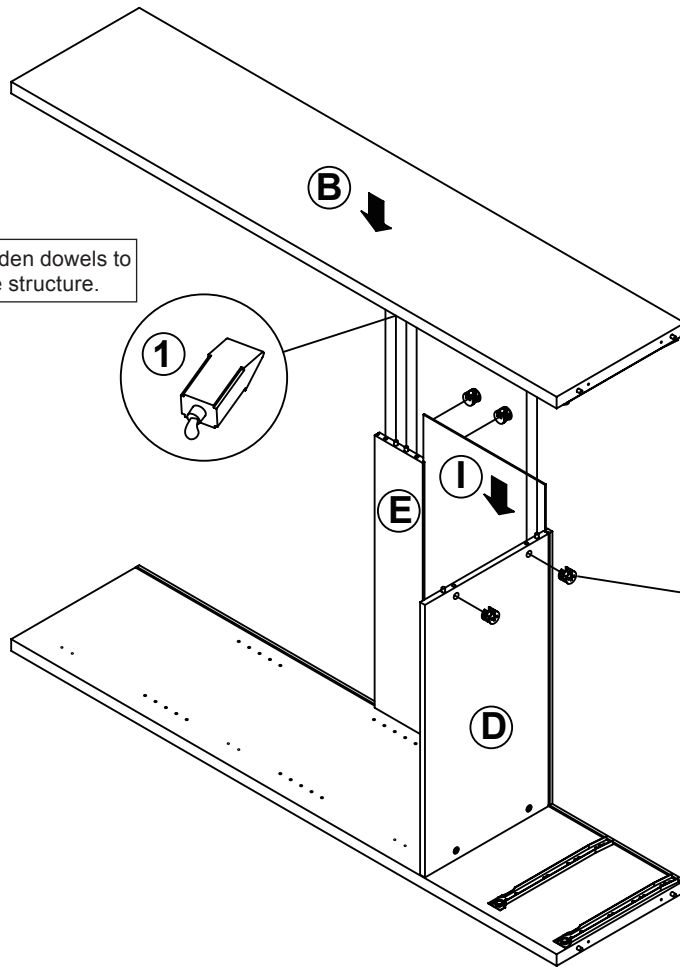
STEP 3



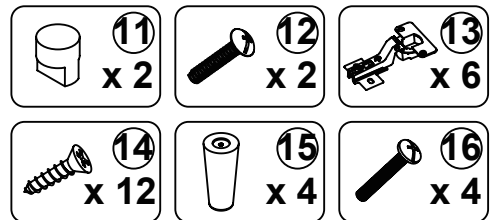
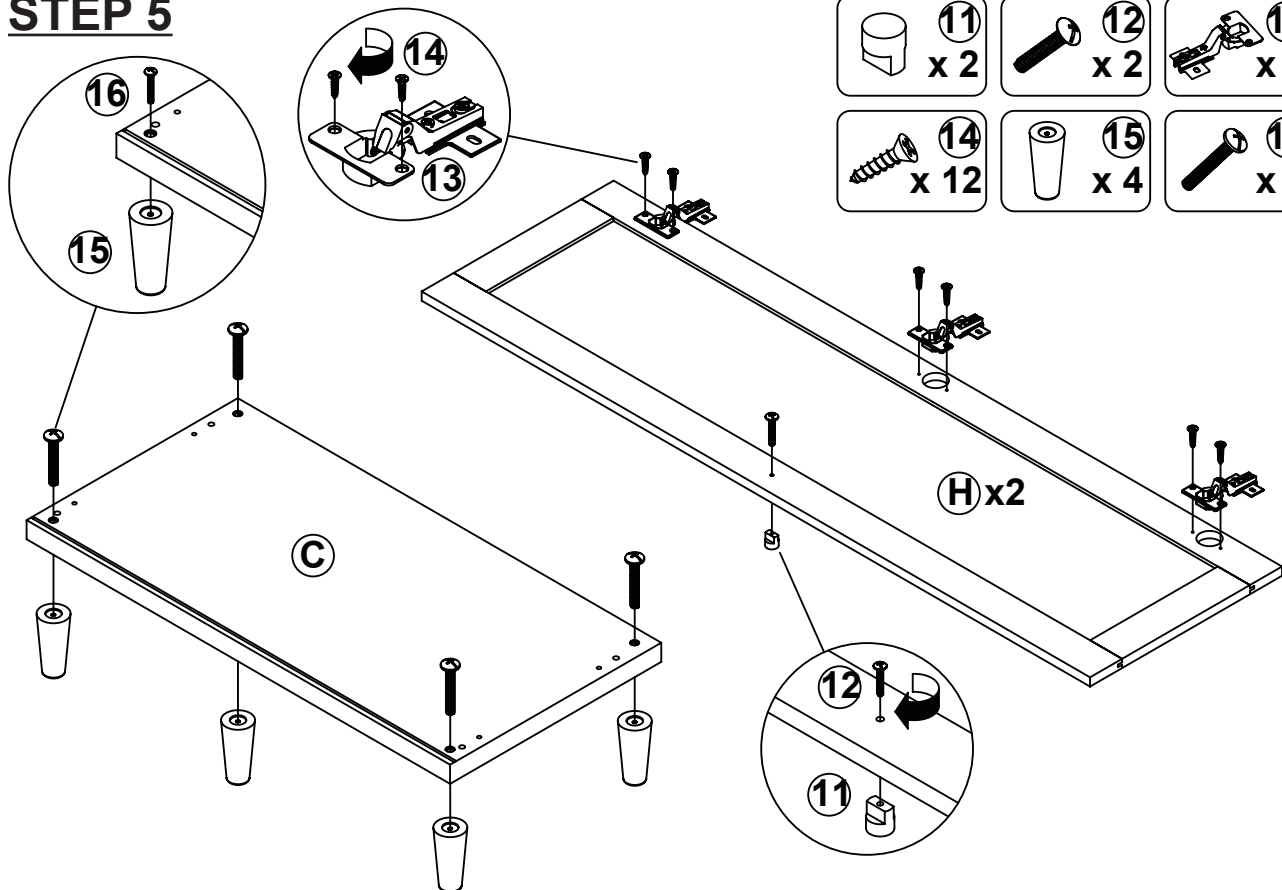
ITEM: 950724

STEP 4

Apply glue on all wooden dowels to ensure integrity of the structure.



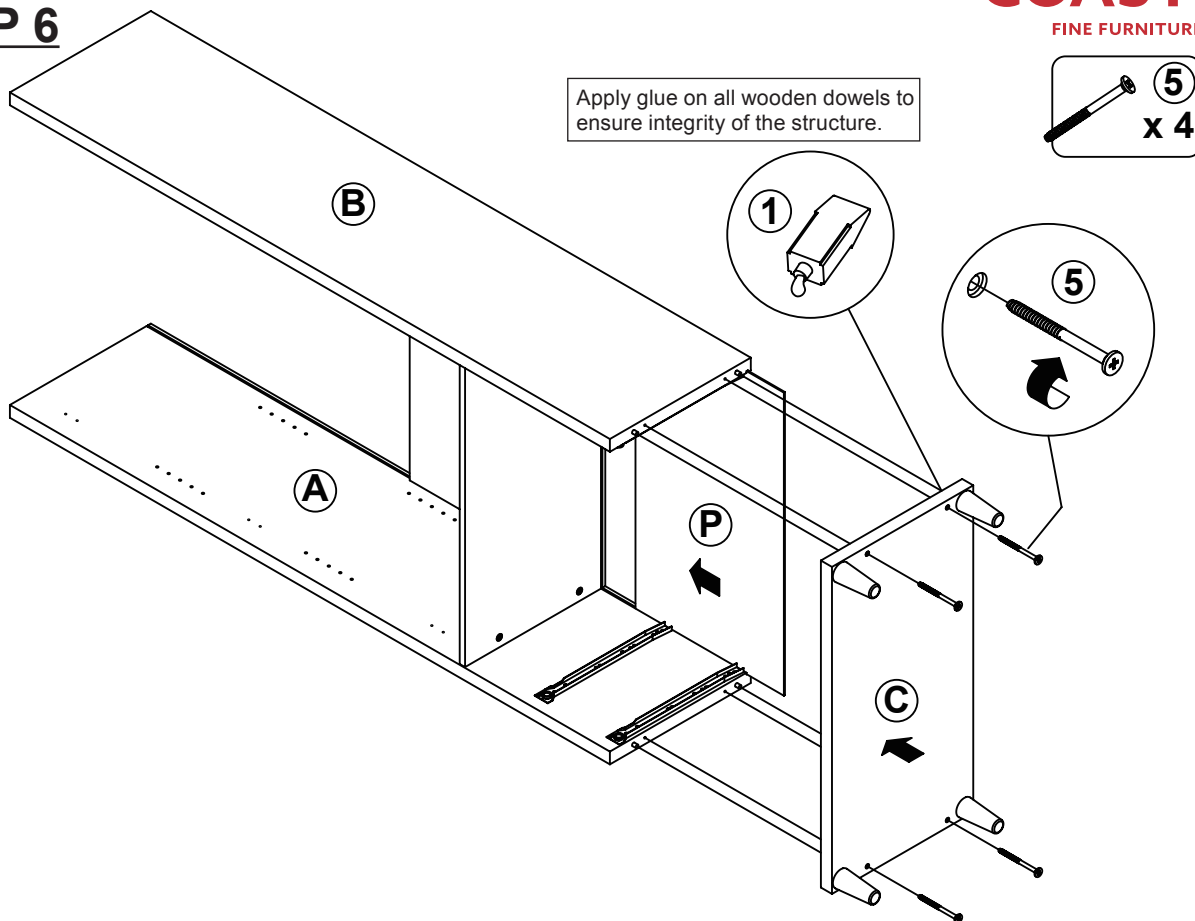
STEP 5



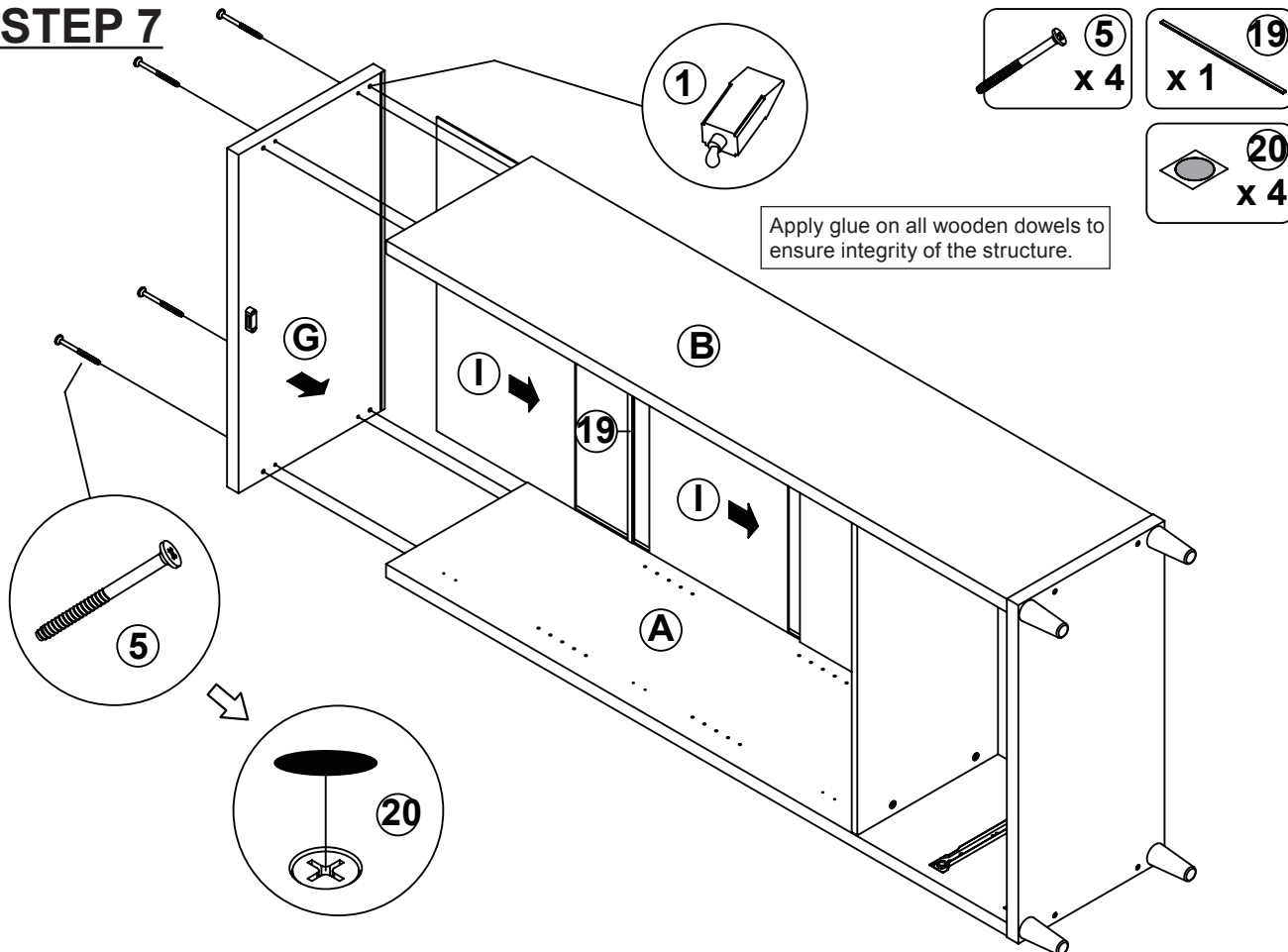
ITEM: 950724

COASTER
FINE FURNITURE

STEP 6



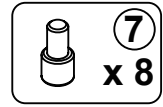
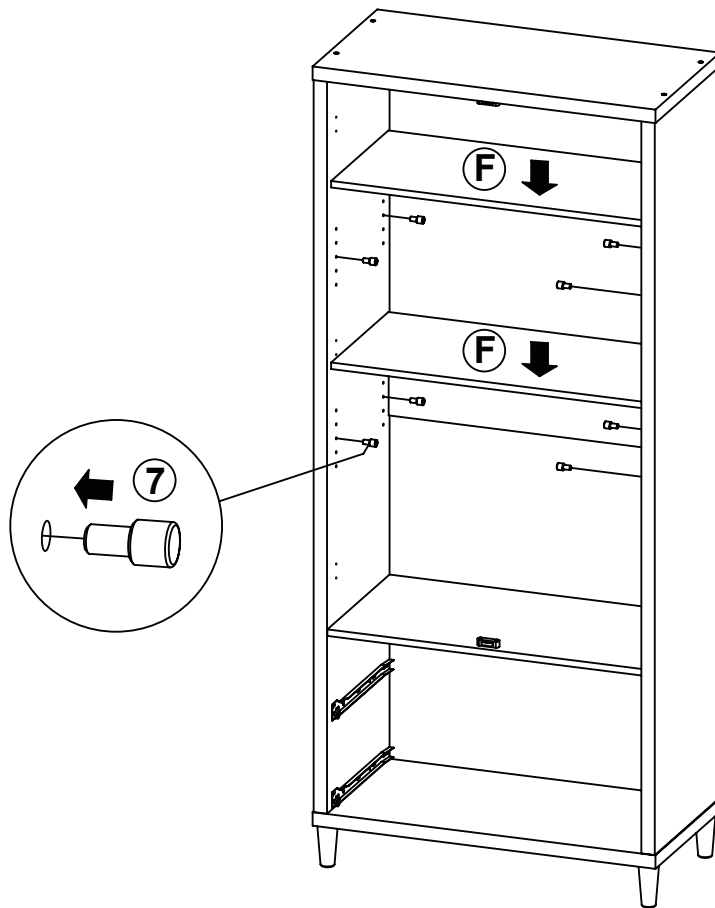
STEP 7



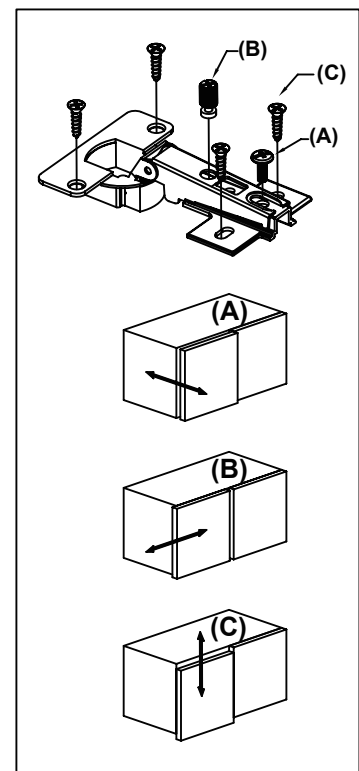
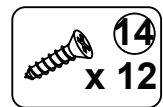
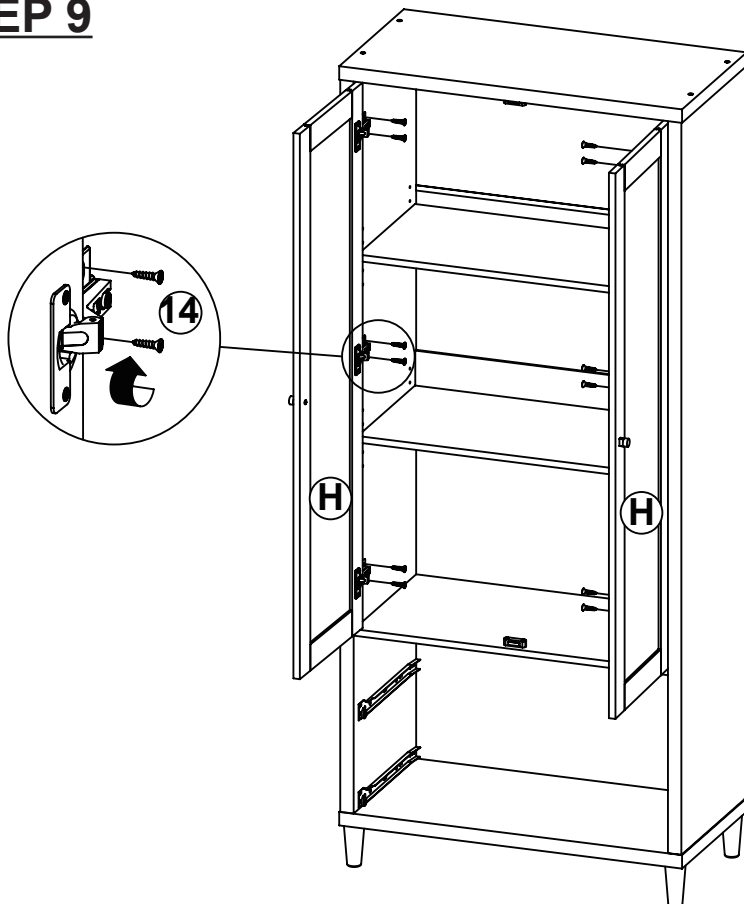
ITEM: 950724

COASTER
FINE FURNITURE

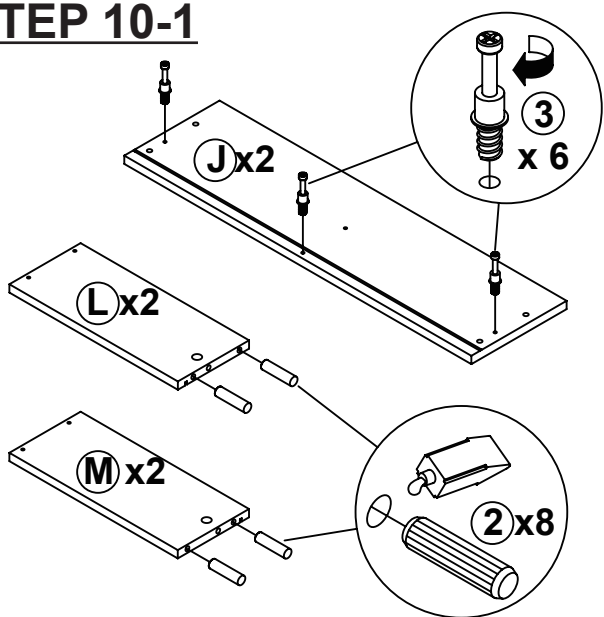
STEP 8



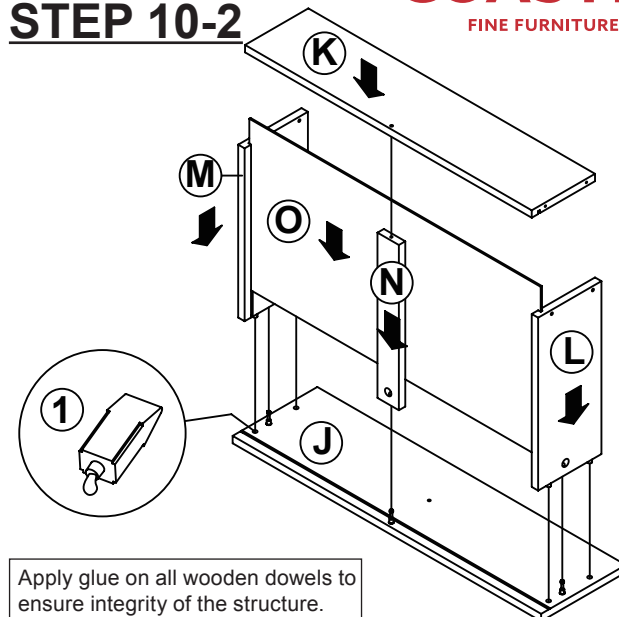
STEP 9



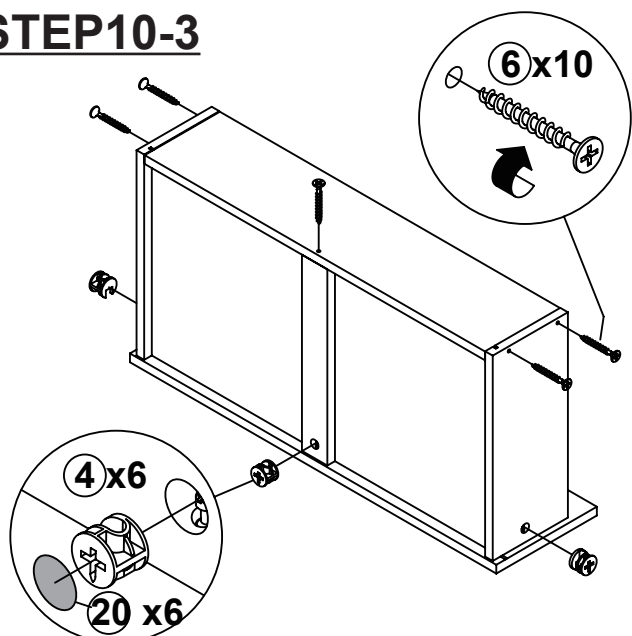
STEP 10-1



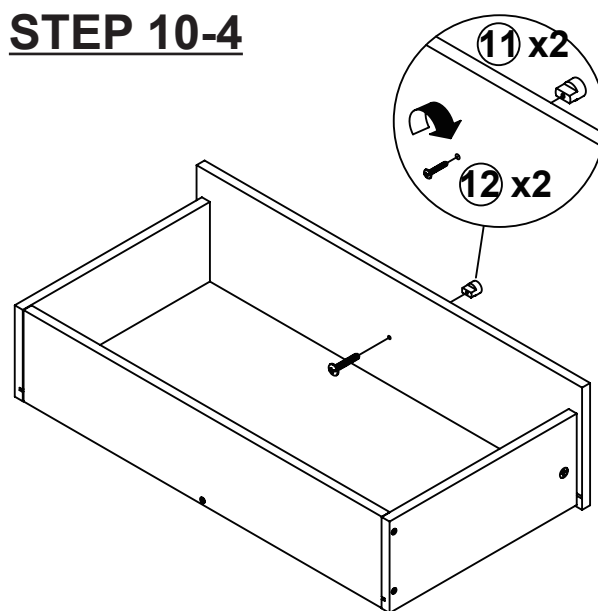
STEP 10-2



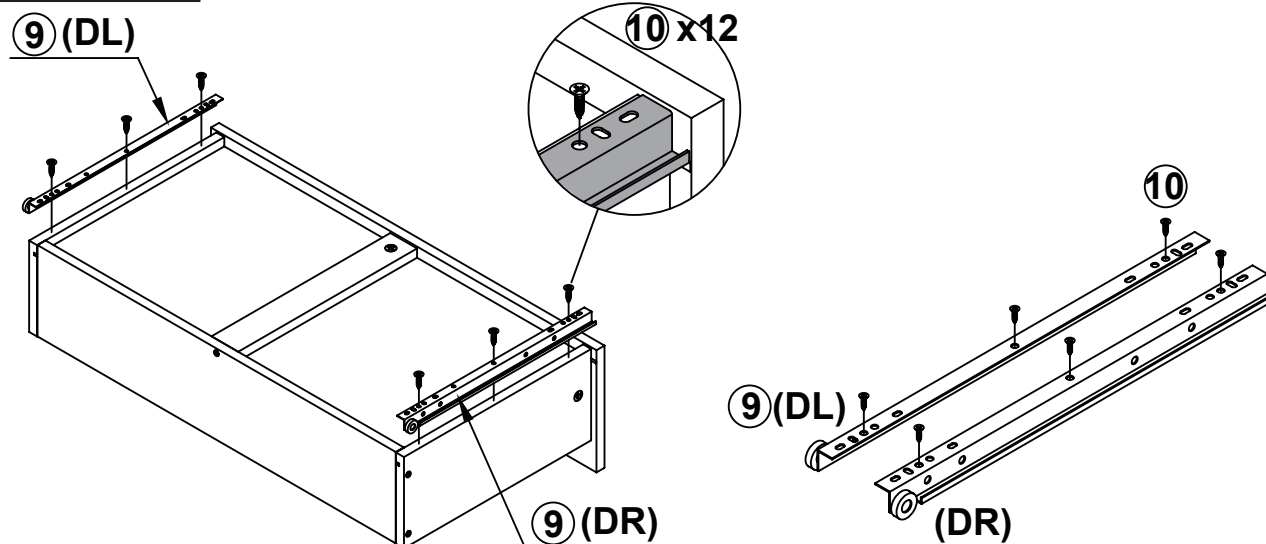
STEP 10-3



STEP 10-4

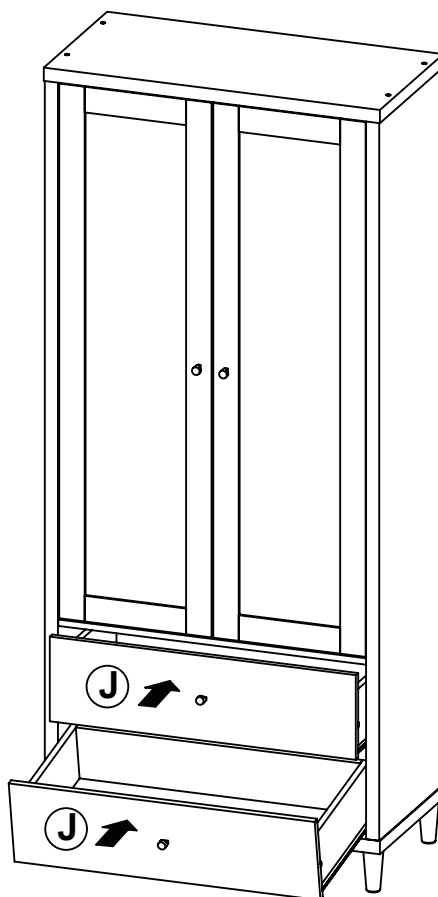


STEP 10-5

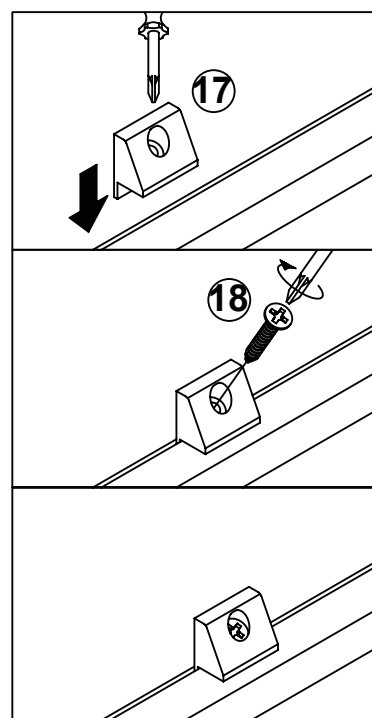
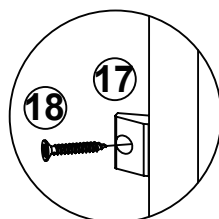
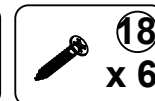
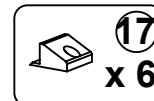
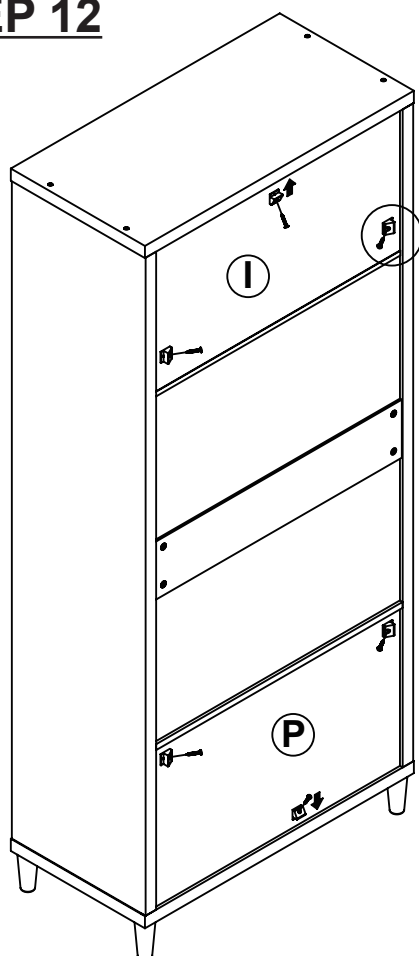


ITEM: 950724

STEP 11



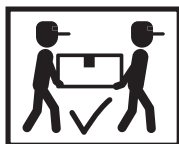
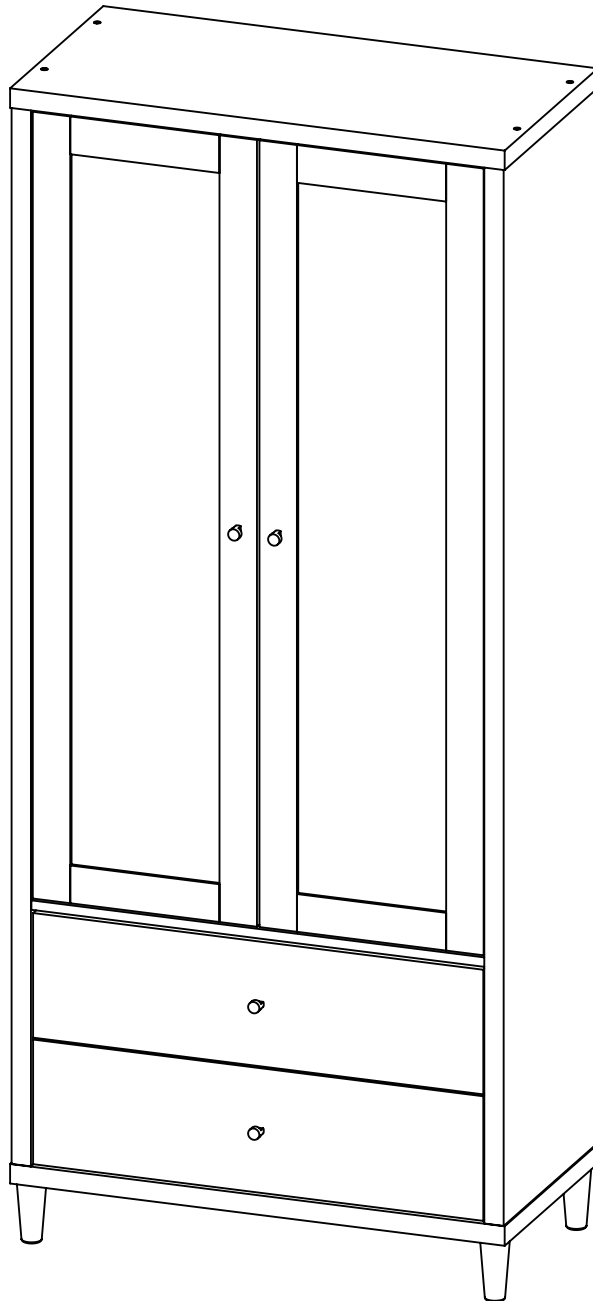
STEP 12

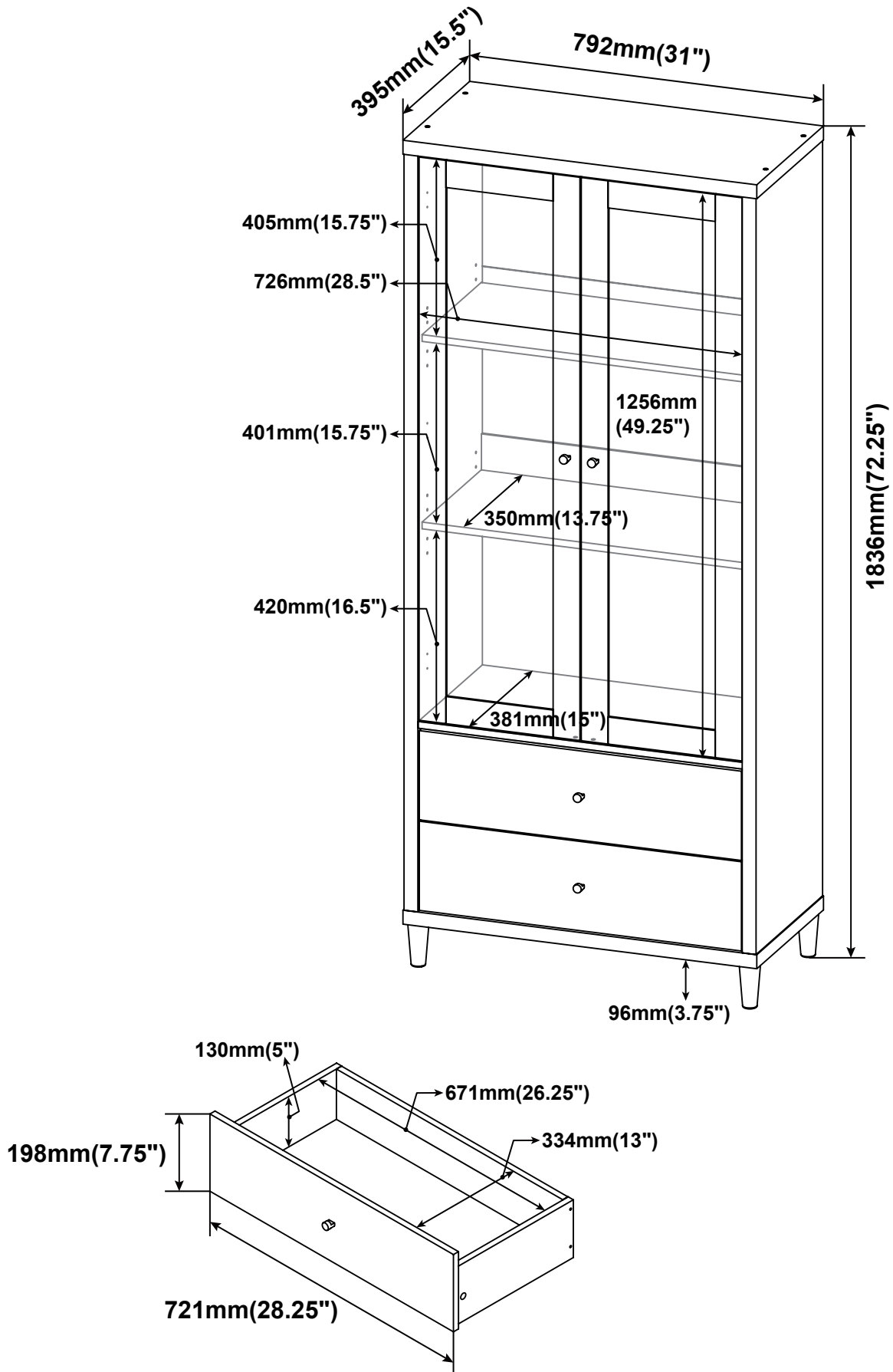


ITEM: **950724**

STEP 13

COMPLETE





Note : Dimension tolerance $\pm 5\%$

ANTI-TIPPING INSTALLMENT INSTRUCTIONS

FURNITURE TIPPING RESTRAINT

WARNING

Injury may result from tipping furniture.
This restraint may protect against tipping furniture.
Do not allow children to climb on furniture.
This restraint is not a substitute for proper adult supervision.
Failure to detach this restraint before moving the furniture
may result in injury and damage.

1. To attach the anti-tip strap, securely mount one end to the top of the case piece with the 5/8" screw.
2. Position the case piece against the wall in the desired location.
3. Pull the anti-tip strap taut and mark the position of where you will secure the other end on the wall.
4. Drill a 1-1/4" hole in the spot you marked.
5. Tap in plastic wall plug.
6. Fasten anti-tip strap with wall screw provided.

(Please install the anti-tipping kit in the middle of the case piece if only have one set of anti-tipping kit.)

