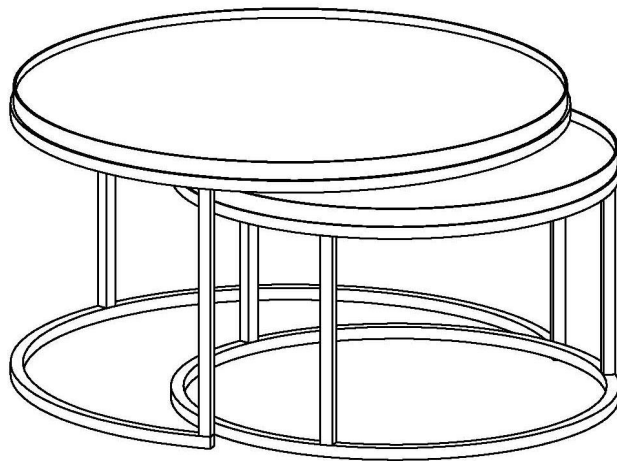




ASSEMBLY INSTRUCTIONS

COASTER FINE FURNITURE



Fine Furniture for every stage of life

931215

Nesting Table

REVISION 1: 11/26/2019

ITEM: **931215**

ASSEMBLY INSTRUCTIONS



ASSEMBLY TIPS:

1. Remove hardware from box and sort by size.
2. Please check to see that all hardware and parts are present prior to start of assembly.
3. Please follow attached instructions in the same sequence as numbered to assure fast & easy assembly.



WARNING

1. Don't attempt to repair or modify parts that are broken or defective. Please contact the store immediately.
2. This product is for home use only and not intend for commercial establishments.



ASSEMBLY TIME

20 MINUTES

PARTS IDENTIFICATION

A LARGE TABLE TOP  1PC

B LARGE TABLE LEG  3PCS

C LARGE TABLE LEG SUPPORT  1PC

D SMALL TABLE TOP  1PC


E SMALL TABLE LEG  3PCS

F SMALL TABLE LEG SUPPORT  1PC

HARDWARE IDENTIFICATION

1 BOLT  12PCS
1/4"x5/8"

2 BOLT  6PCS
1/4"x1-1/4"

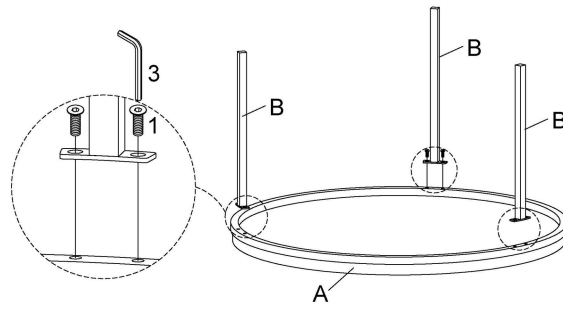
3 ALLEN KEY  1PC
4mm

ITEM:931215

ASSEMBLY INSTRUCTIONS

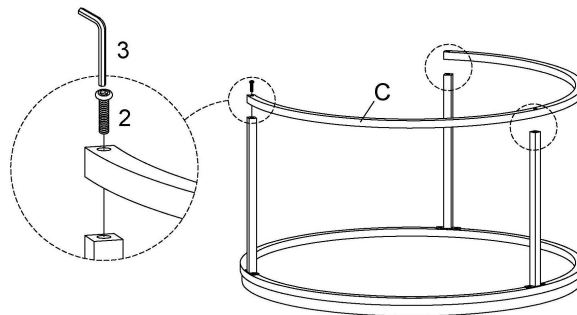


STEP 1



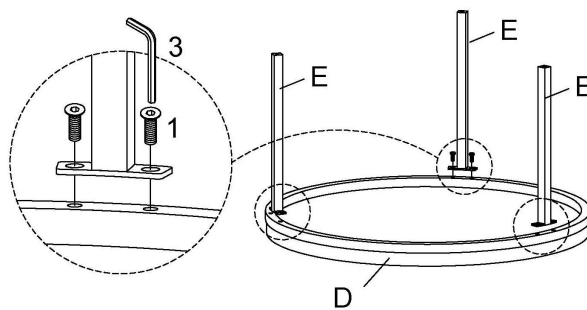
1		6PCS
3		1PC

STEP 2



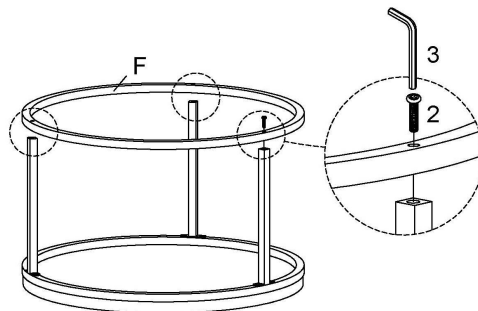
2		3PCS
3		1PC

STEP 3



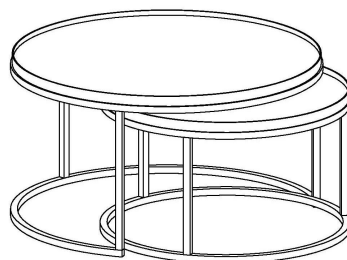
1		6PCS
3		1PC

STEP 4

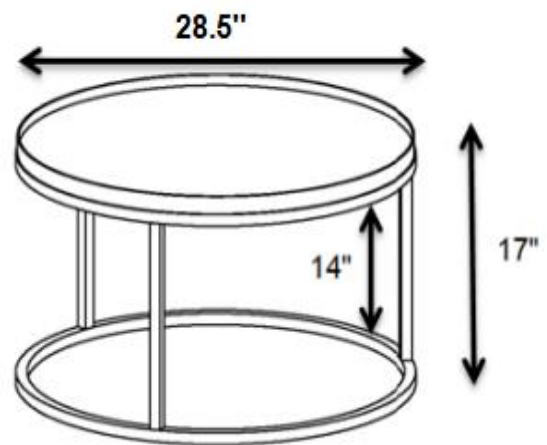
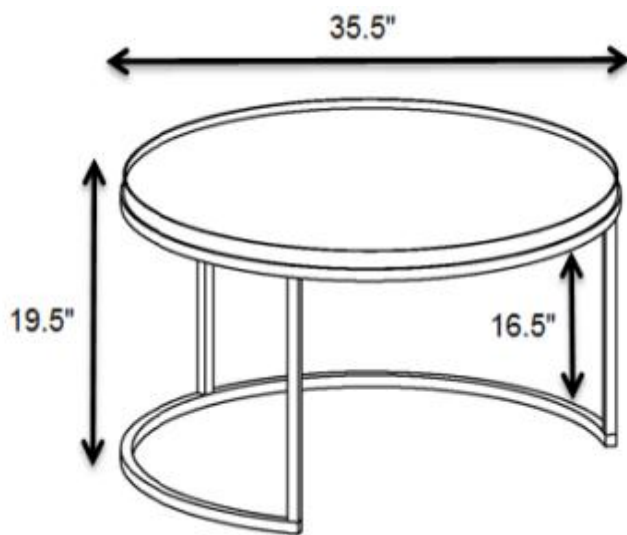


2		3PCS
3		1PC

STEP 5 COMPLETE



ITEM:931215



Note: Dimension tolerance $\pm 5\%$