

ASSEMBLY INSTRUCTIONS COASTER FINE FURNITURE



Fine Furniture for every stage of life

903850
ACCENT CHAIR

ITEM: **903850**



ASSEMBLY INSTRUCTIONS

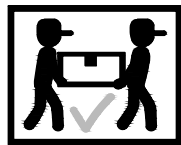
ASSEMBLY TIPS:

1. Remove hardware from box and sort by size.
2. Please check to see that all hardware and parts are present prior to start of assembly.
3. Please follow attached instructions in the same sequence as numbered to assure fast & easy assembly.



WARNING !

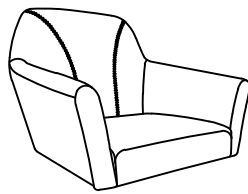
1. Don't attempt to repair or modify parts that are broken or defective. Please contact the store immediately.
2. This product is for home use only and not intended for commercial establishments.



ASSEMBLY TIME 30 MINUTES

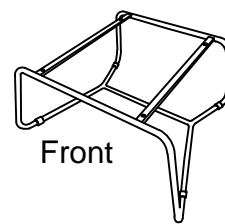
PARTS IDENTIFICATION

A. SEAT AND
BACK



1PC

B. BASE



Back

1PC

Front

HARDWARE PACKAGE

1. ALLEN WRENCH
(Ø1/4"*57mm-SILVER)



1PC

2. BOLT
(Ø1/4"*20mm-SILVER)



4PCS

3. FLAT WRENCH
(Ø1/4"*16mm-SILVER)



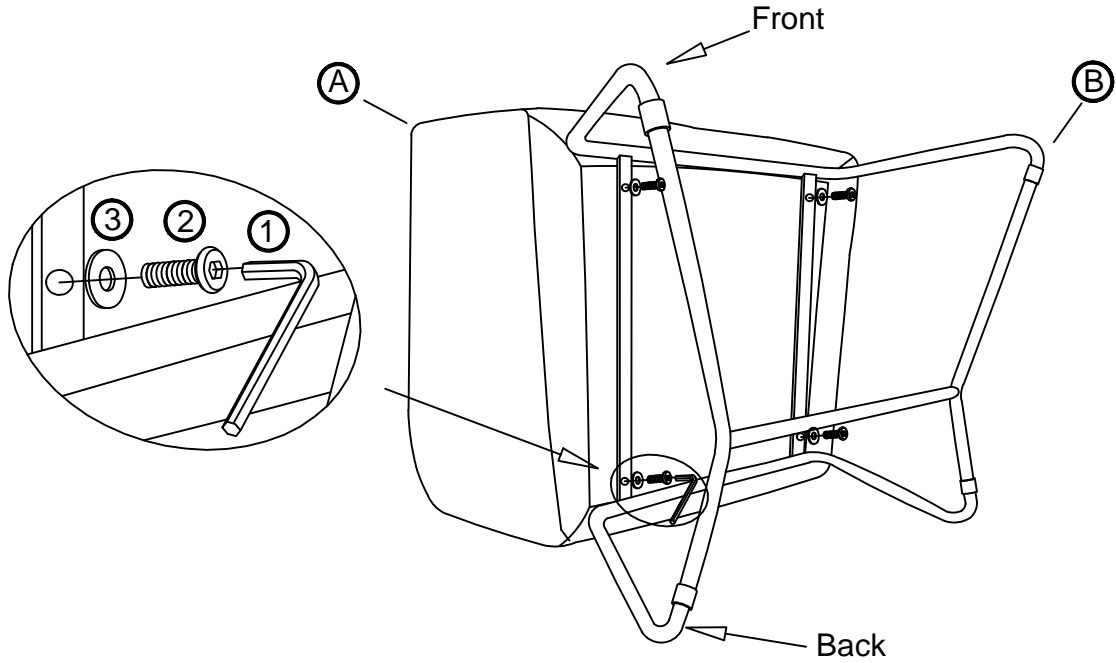
4PCS

ITEM: **903850**

ASSEMBLY INSTRUCTIONS



STEP 1



STEP 2
COMPLETE

