

# ASSEMBLY INSTRUCTIONS COASTER FINE FURNITURE



*Fine Furniture for every stage of life*

**802141**  
**WRITING DESK**

ITEM: **802141**

## ASSEMBLY INSTRUCTIONS



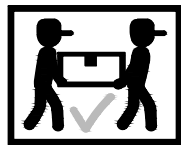
### ASSEMBLY TIPS:

1. Remove hardware from box and sort by size.
2. Please check to see that all hardware and parts are present prior to start of assembly.
3. Please follow attached instructions in the same sequence as numbered to assure fast & easy assembly.



### WARNING !

1. Don't attempt to repair or modify parts that are broken or defective. Please contact the store immediately.
2. This product is for home use only and not intended for commercial establishments.



**ASSEMBLY TIME 30 MINUTES**

## PARTS IDENTIFICATION

A. GLASS		1PC	E. BOTTOM FRAME		1PC
B. SHELF FRAME		1PC	F. RIGHT LEG		1PC
C. TOP BOX		1PC	G. LEFT LEG		1PC
D. CROSSBAR		2PCS			

## HARDWARE PACKAGE

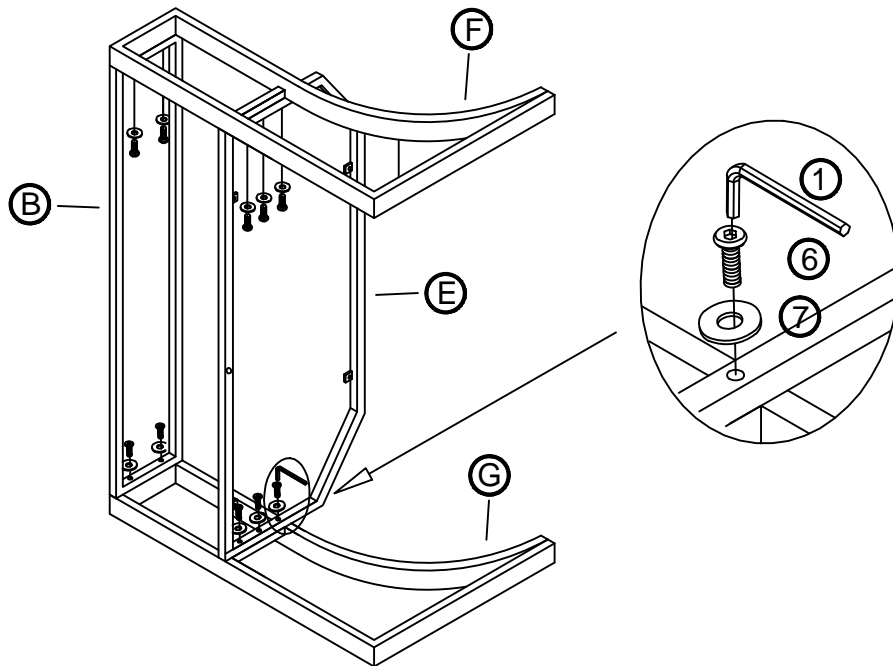
1. ALLEN WRENCH (Ø1/4"*57mm-SILVER)		1PC	6. BOLT (Ø1/4"*32mm-SILVER)		10PCS
2. BOLT (Ø1/4"*8mm-SILVER)		2PCS	7. FLAT WRENCH (Ø1/4"*16mm-SILVER)		18PCS
3. BOLT (Ø1/4"*15mm-SILVER)		4PCS	8. FLAT HEAD SCREW M4"*15mm-SILVER)		2PCS
4. BOLT (Ø1/4"*20mm-SILVER)		3PCS	9. HANDLE TOP (SILVER)		2PCS
5. BOLT (Ø1/4"*25mm-SILVER)		2PCS	10. HANDLE RING (SILVER)		2PCS

ITEM: **802141**

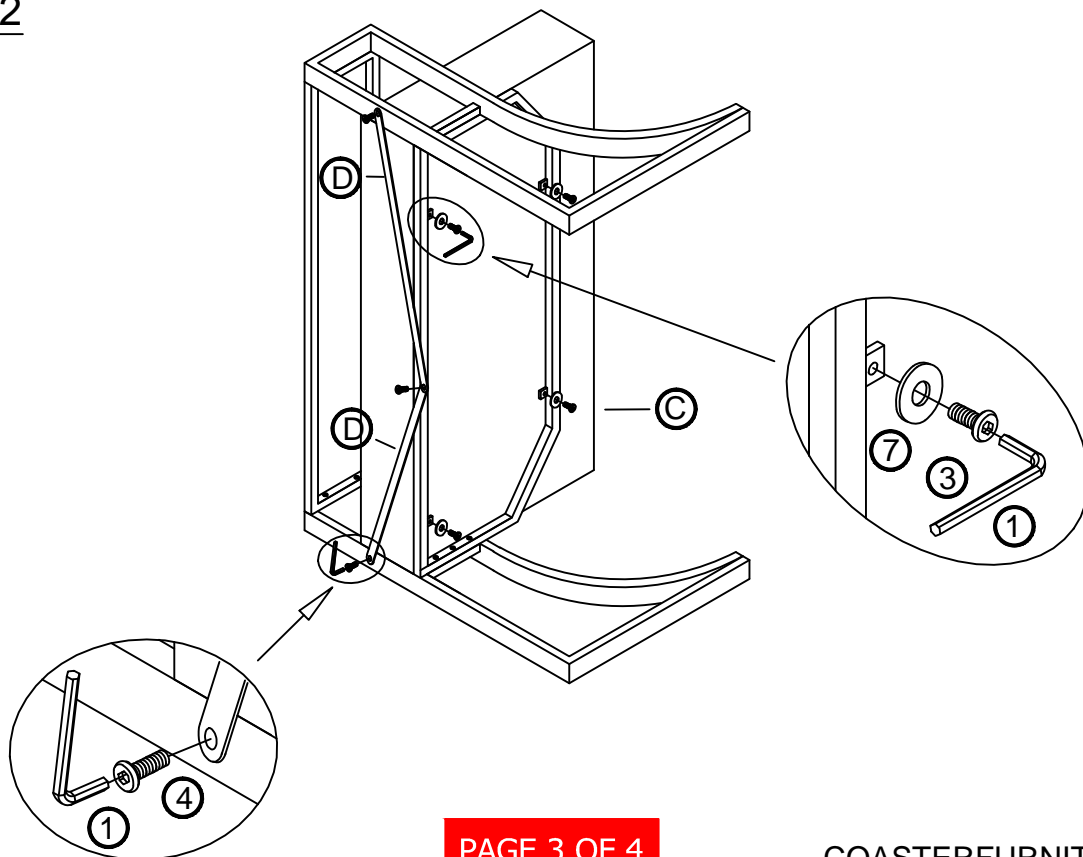
ASSEMBLY INSTRUCTIONS



STEP 1: Don't tighten all bolts on this step



STEP 2

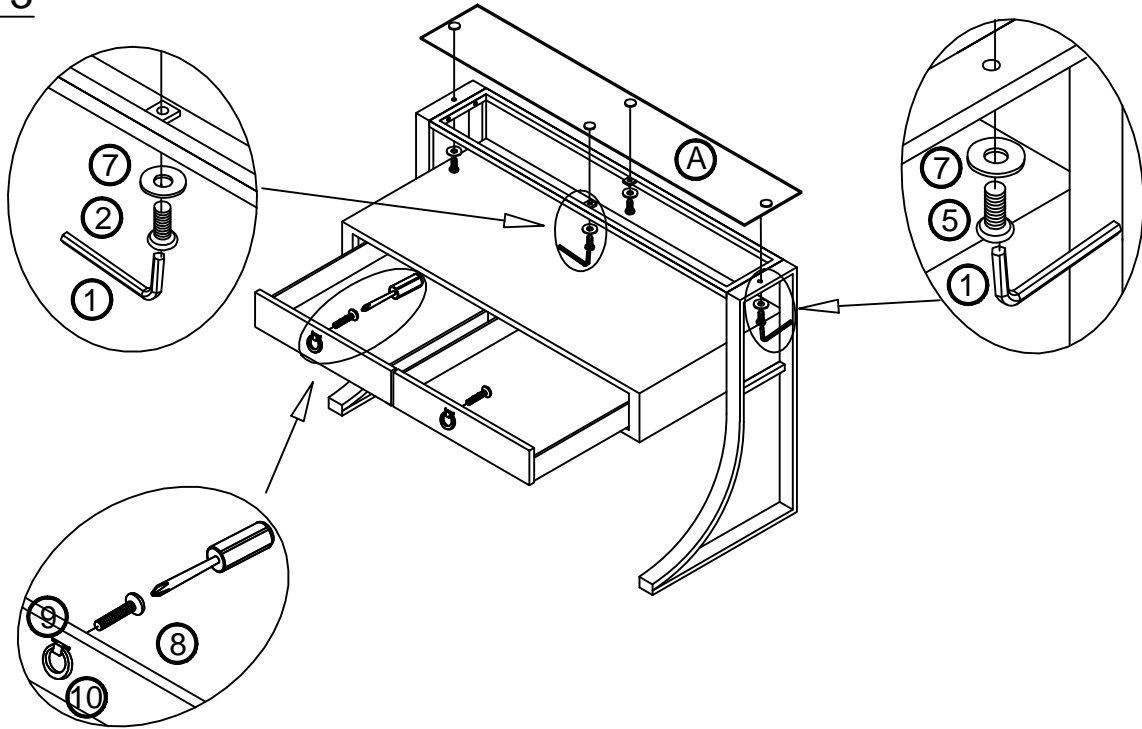


ITEM: **802141**

ASSEMBLY INSTRUCTIONS



STEP 3



STEP 4: Tighten all screws on this step  
**COMPLETE**

