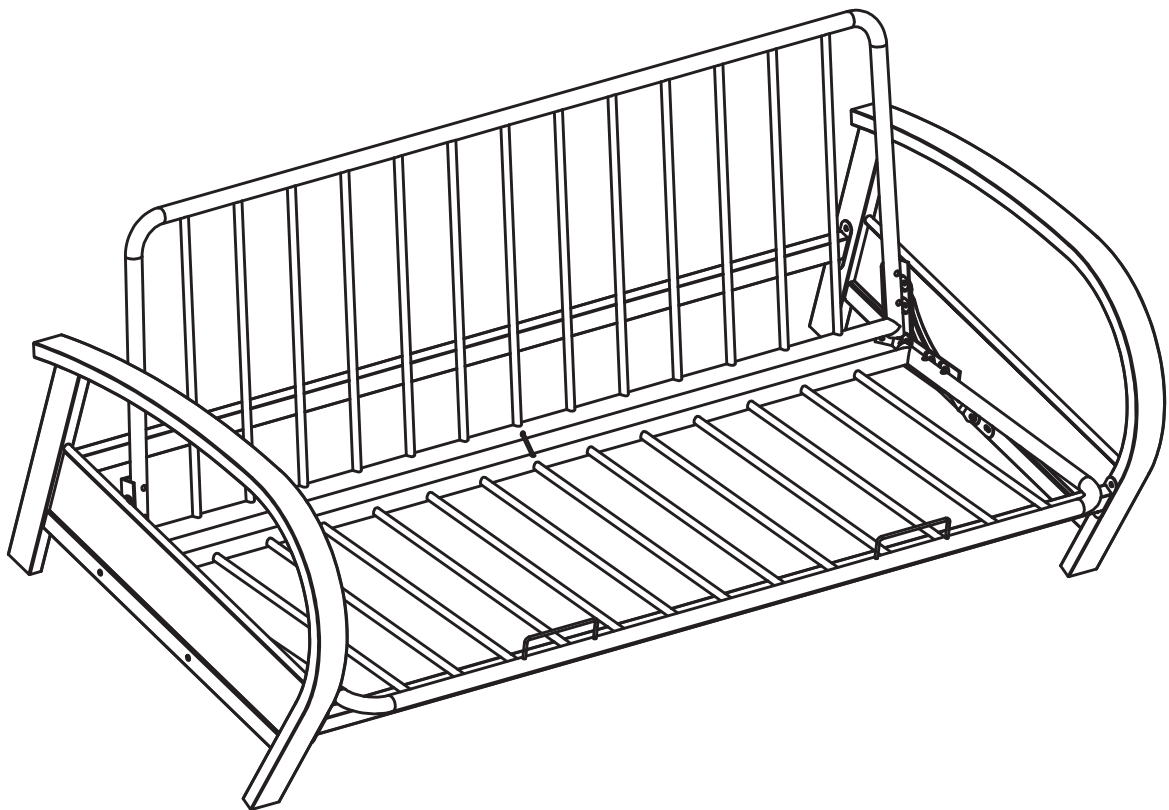


ASSEMBLY INSTRUCTIONS
COASTER FINE FURNITURE



Fine Furniture for every stage of life

7251
Metal Futon

ITEM: 7251



ASSEMBLY INSTRUCTIONS

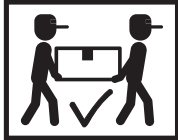
ASSEMBLY TIPS:

1. Remove hardware from box and sort by size.
2. Please check to see that all hardware and parts are present prior to start of assembly.
3. Please follow attached instructions in the same sequence as numbered to assure fast & easy assembly.



WARNING!

1. Don't attempt to repair or modify parts that are broken or defective. Please contact the store immediately.
2. This product is for home use only and not intended for commercial establishments.



ASSEMBLY TIME

60 MINUTES

PARTS IDENTIFICATION

A	RSF ARM		1PC	B	LSF ARM		1PC
C	RSF MECHANISM		1PC	D	LSF MECHANISM		1PC
E	BACK FRAME		1PC	F	SEAT FRAME		1PC
G	STRETCHER		1PC				

HARDWARE IDENTIFICATION

Z-HARDWARE

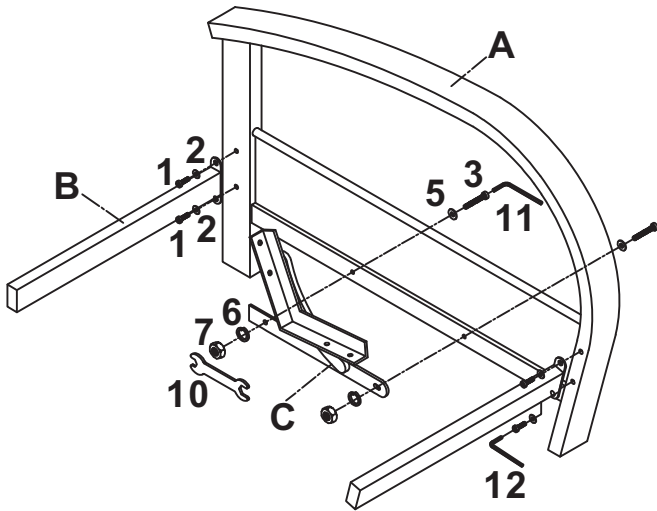
1	BOLT(\emptyset 1/4"x3/4"L)		8PCS	7	NUT(\emptyset 5/16")		12PCS
2	WASHER(\emptyset 1/4")		8PCS	8	PAD (20x40x3.0)		8PCS
3	BOLTS(\emptyset 5/16" x 1-1/4")		4PCS	9	HOOK (5.0x75)		1PCS
4	BOLTS(\emptyset 5/16" x 1-3/4")		8PCS	10	OPEN WRENCH (5/16")		1PCS
5	WASHER(\emptyset 5/16")		12PCS	11	ALLEN WRENCH (5/16")		1PCS
6	LOCK WASHER(\emptyset 5/16")		12PCS	12	ALLEN WRENCH (1/4")		1PCS

ITEM: 7251

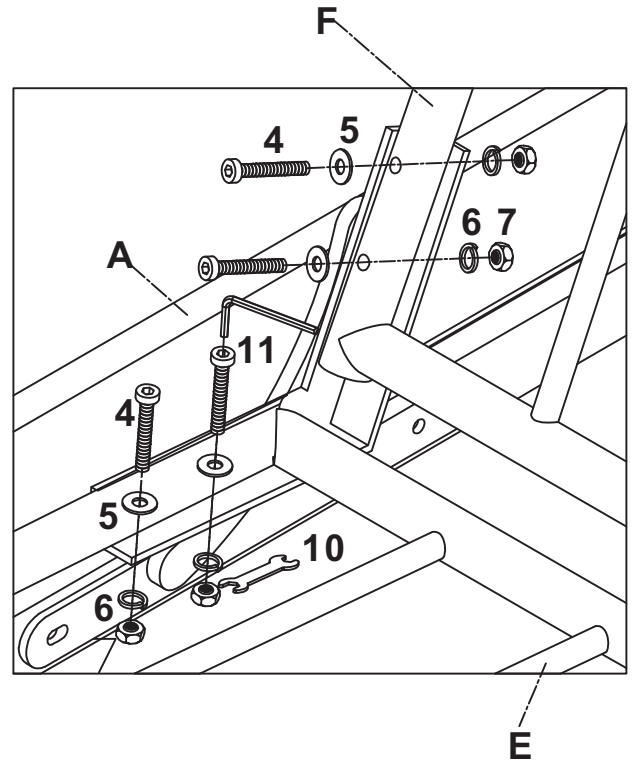
ASSEMBLY INSTRUCTIONS



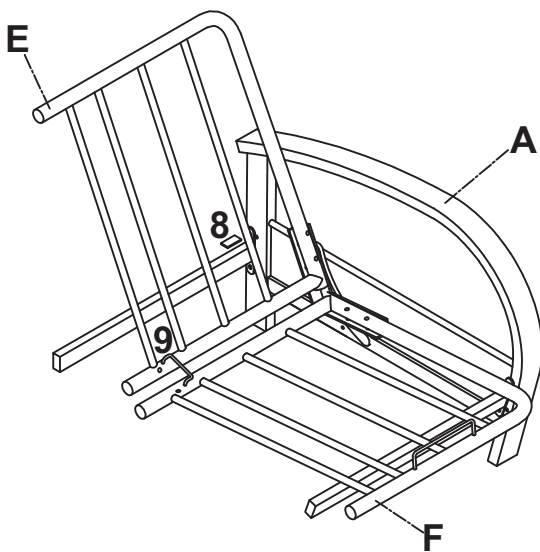
STEP 1



STEP 2

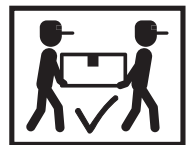
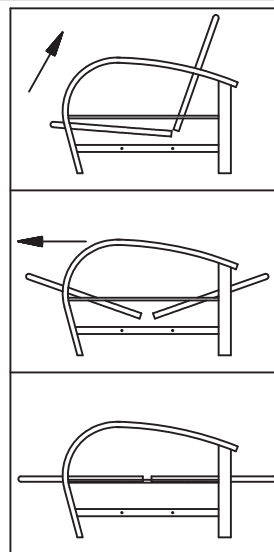


STEP 3

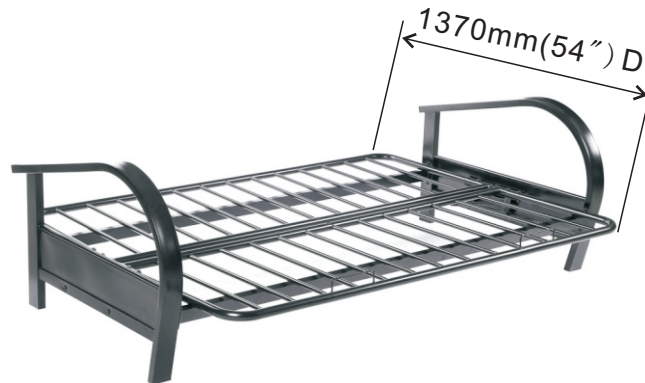
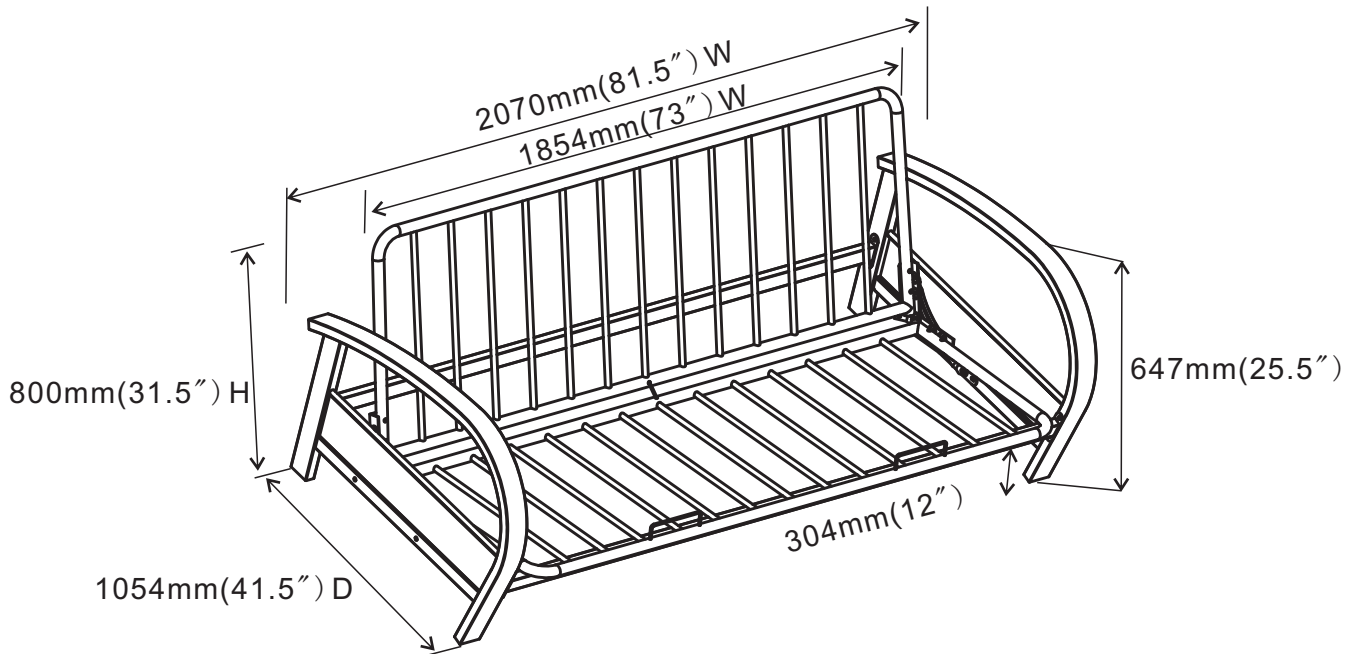


STEP 4

Operation Sequences



ITEM: 7251



Note : Dimension tolerance $\pm 5\%$