

ASSEMBLY INSTRUCTIONS
COASTER FINE FURNITURE



Fine Furniture for every stage of life

720457
3pc Occasional Set

REVISION 0 : 05/07/2019

ITEM:720457

ASSEMBLY INSTRUCTIONS



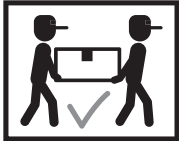
ASSEMBLY TIPS:

1. Remove hardware from box and sort by size.
2. Please check to see that all hardware and parts are present prior to start of assembly.
3. Please follow attached instructions in the same sequence as numbered to assure fast & easy assembly.



WARNING!

1. Don't attempt to repair or modify parts that are broken or defective. Please contact the store immediately.
2. This product is for home use only and not intended for commercial establishments.

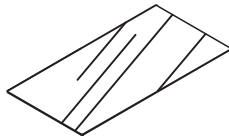


ASSEMBLY TIME

15 MINUTES

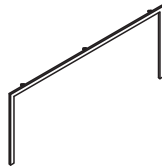
PARTS IDENTIFICATION

A Coffee table top



1 PC

B Coffee table long leg



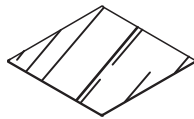
2 PCS

C Coffee table short leg



2 PCS

D End table tops



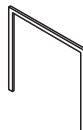
2 PCS

E End table long leg



4 PCS



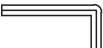
F End table short leg



4 PCS

ITEM:720457

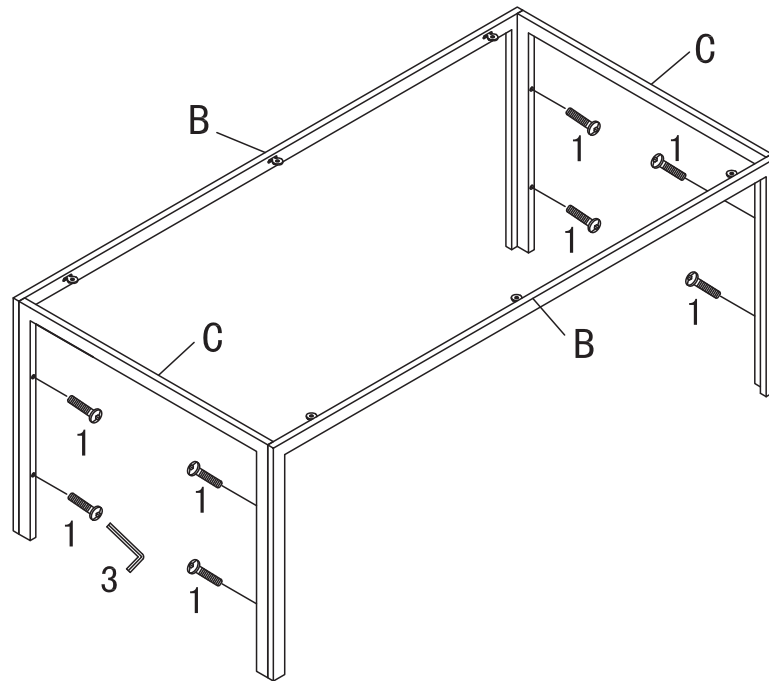
HARDWARE IDENTIFICATION

DESCRIPTION	FIGURE	Q'TY
1 Bolt (M6x32MM)		24 PCS
2 Sucker		14 PCS
3 Allen wrench (M4)		1 PC

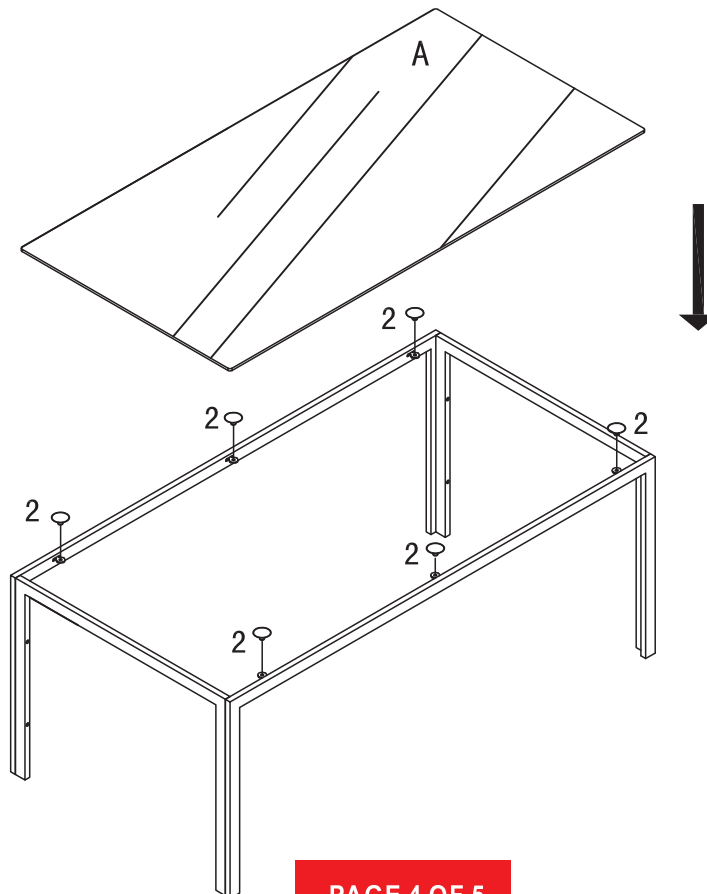
ITEM:720457

ASSEMBLY INSTRUCTIONS

STEP 1



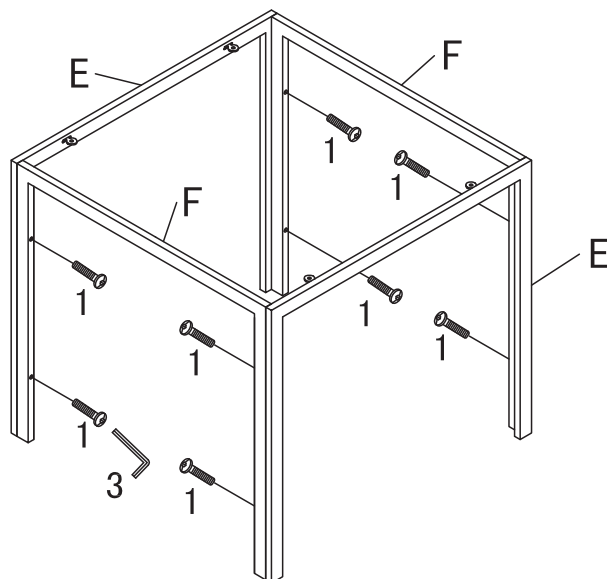
STEP 2



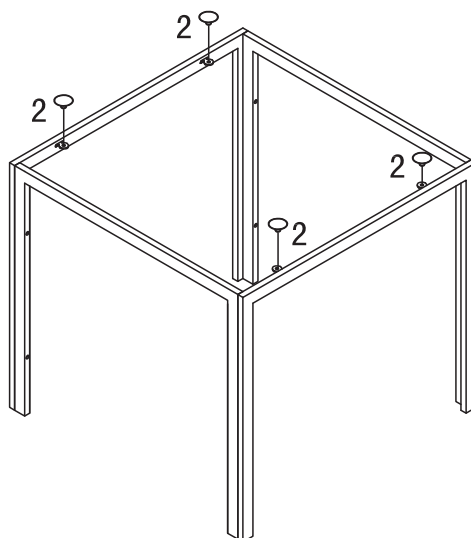
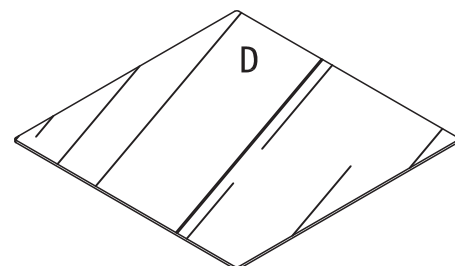
ITEM: 720457

ASSEMBLY INSTRUCTIONS

STEP 1

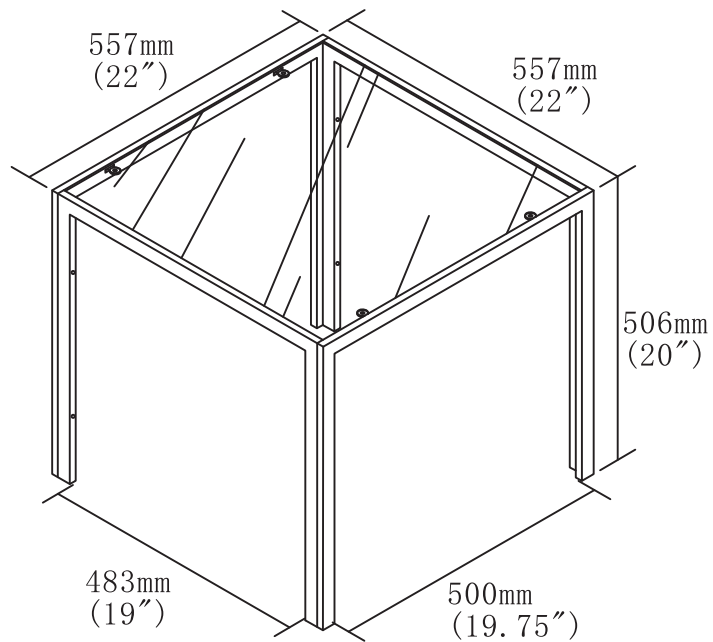
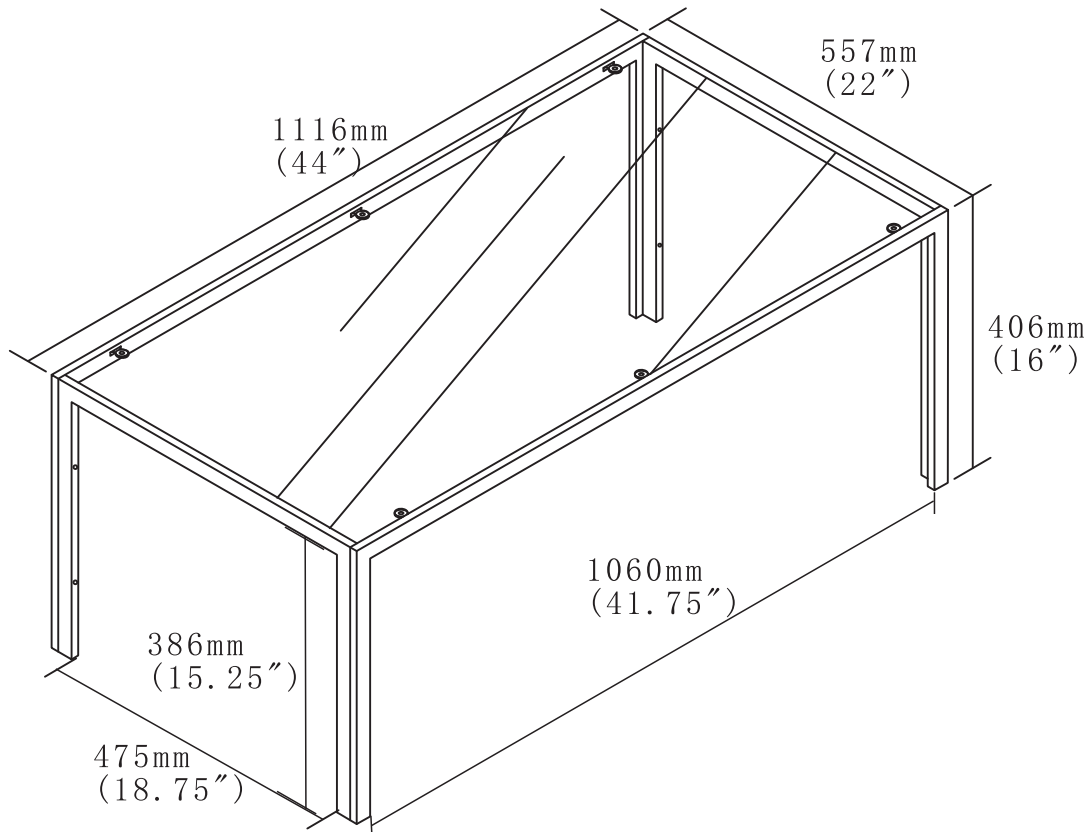


STEP 2



ITEM: 720457

COASTER
FINE FURNITURE



Note: Dimension tolerance $\pm 5\%$