

ASSEMBLY INSTRUCTIONS
COASTER FINE FURNITURE



Fine Furniture for every stage of life

708153
3PC Occasional Set

ITEM:708153



ASSEMBLY INSTRUCTIONS

ASSEMBLY TIPS:

1. Remove hardware from box and sort by size.
2. Please check to see that all hardware and parts are present prior to start of assembly.
3. Please follow attached instructions in the same sequence as numbered to assure fast & easy assembly.



WARNING!

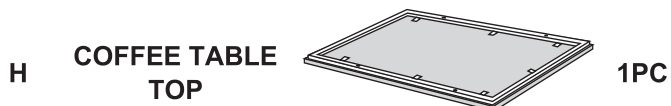
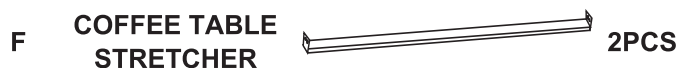
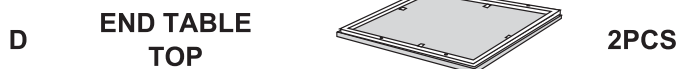
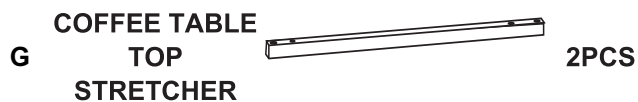
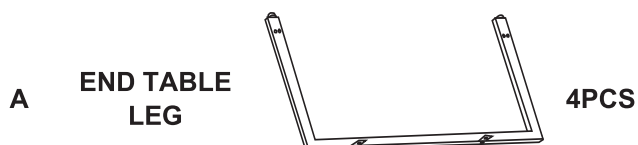
1. Dont attempt to repair or modify parts that ar e broken or defective. Please contact the store immediately.
2. This product is for home use only and not intended for commercial establishments.



ASSEMBLY TIME

20 MINUTES

PARTS IDENTIFICATION



NOTE:

Phillips head screw driver is required in the assembly process; however, manufacturer does not provide this item.

ITEM: **708153**



ASSEMBLY INSTRUCTIONS

ASSEMBLY TIPS:

1. Remove hardware from box and sort by size.
2. Please check to see that all hardware and parts are present prior to start of assembly.
3. Please follow attached instructions in the same sequence as numbered to assure fast & easy assembly.

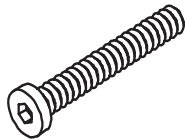


WARNING!

1. Dont attempt to repair or modify parts that are broken or defective. Please contact the store immediately.
2. This product is for home use only and not intended for commercial establishments.

Z-HARDWARE IDENTIFICATION

1 **LONG BOLT**
(1/4" x 2-3/4" BLK)



12PCS

2 **SHORT BOLT**
(1/4" x 1/2" BLK)



36PCS

3 **ALLEN WRENCH**
(4MM-GD)



1PC

NOTE:

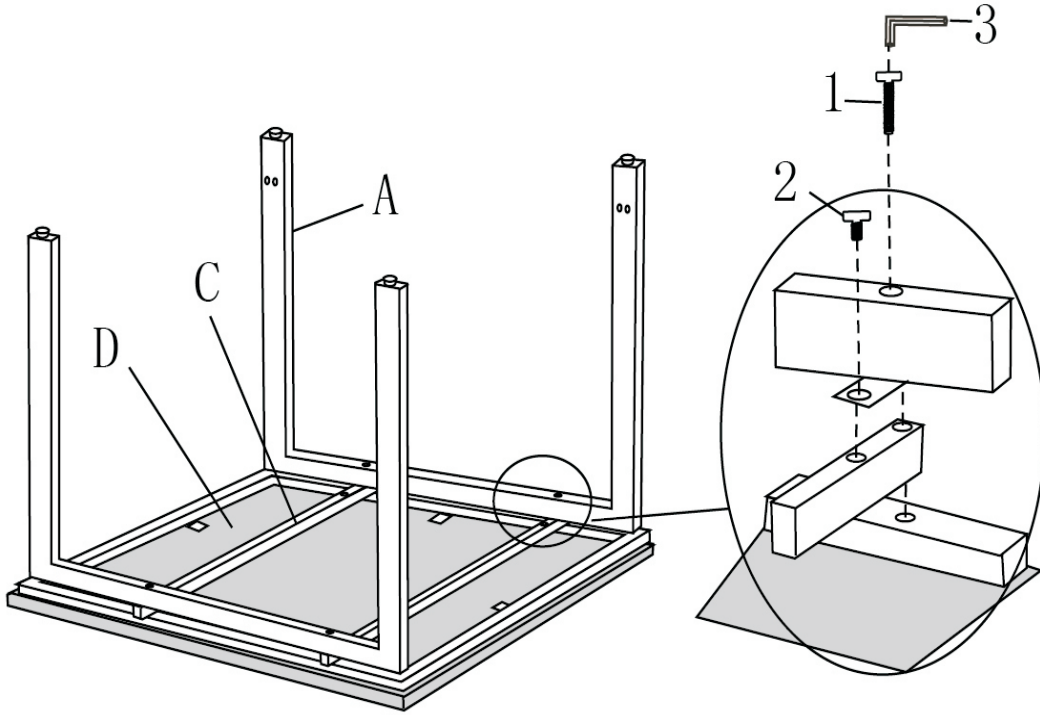
Phillips head screw driver is required in the assembly process; however, manufacturer does not provide this item.

ITEM: **708153**

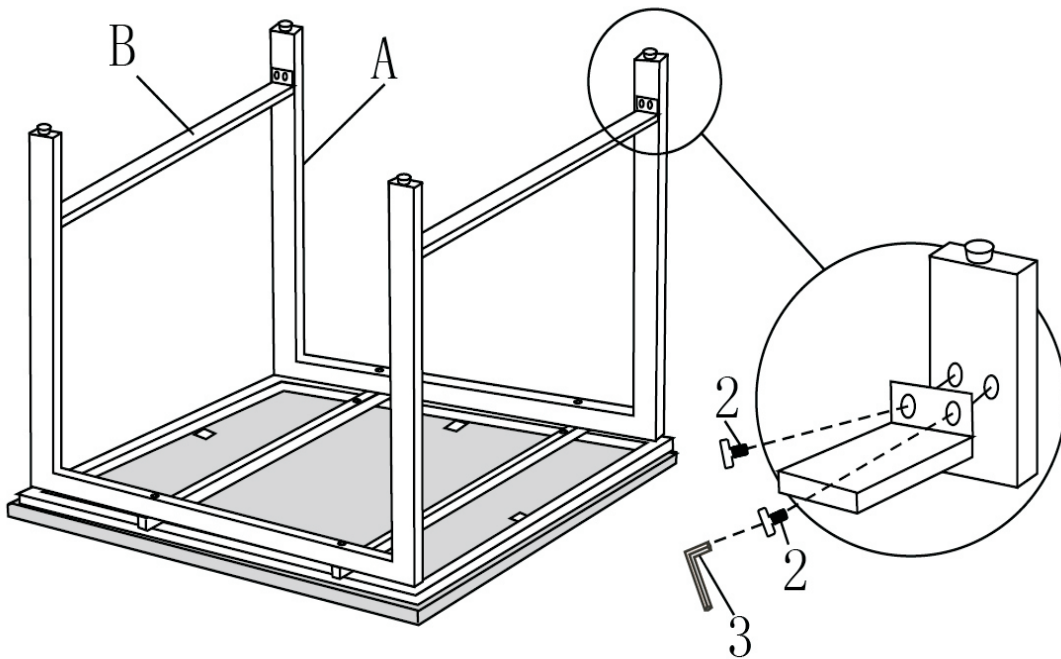


ASSEMBLY INSTRUCTIONS

STEP 1



STEP 2

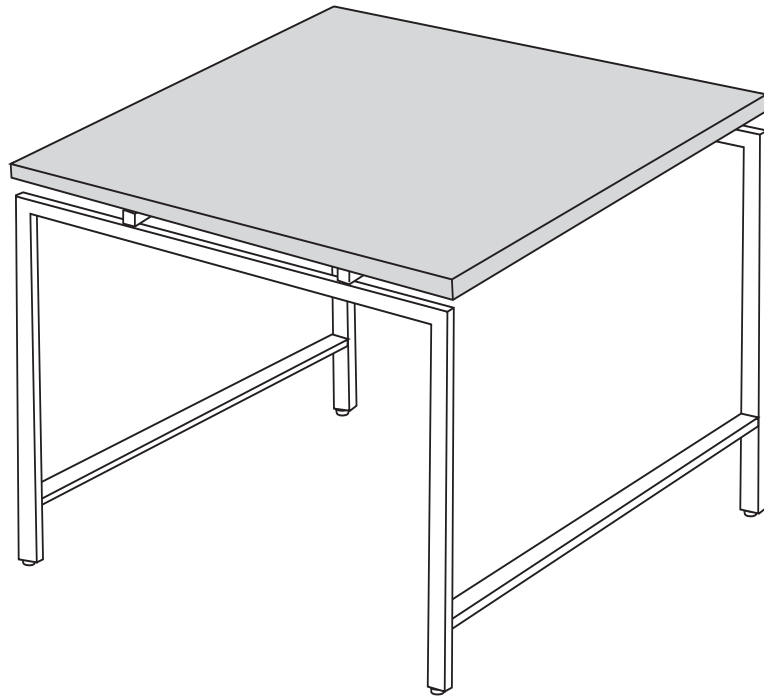


ITEM:708153

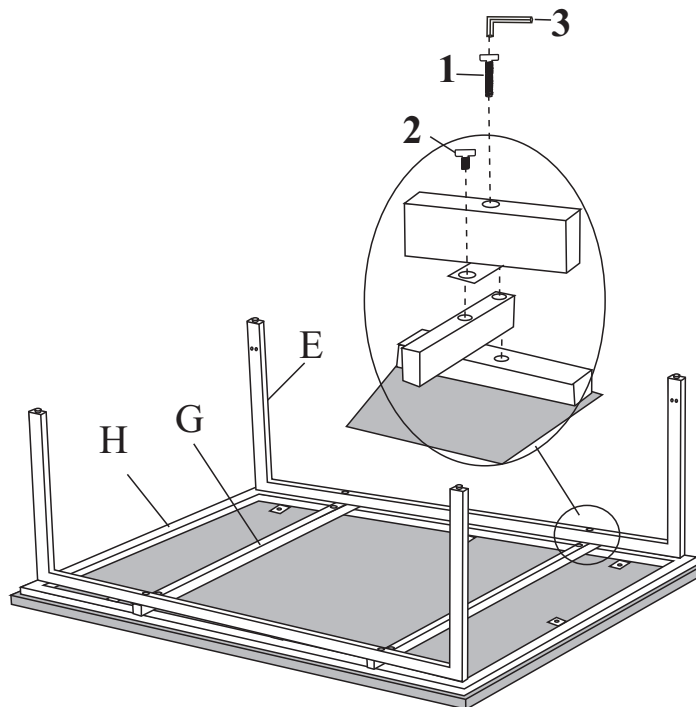


ASSEMBLY INSTRUCTIONS

STEP 3



STEP 4

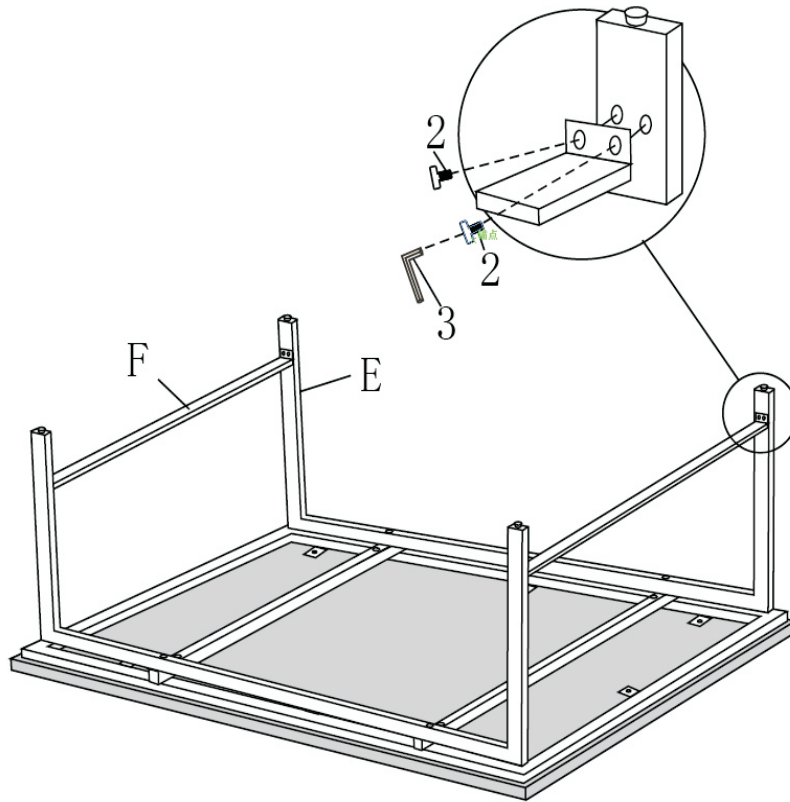


ITEM: **708153**

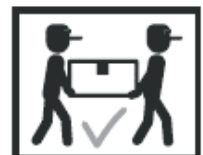
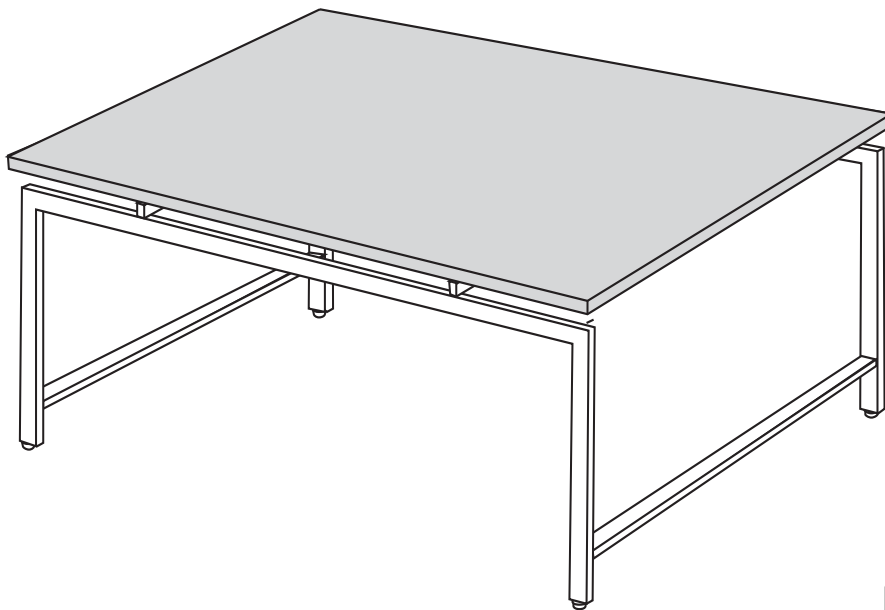


ASSEMBLY INSTRUCTIONS

STEP 5



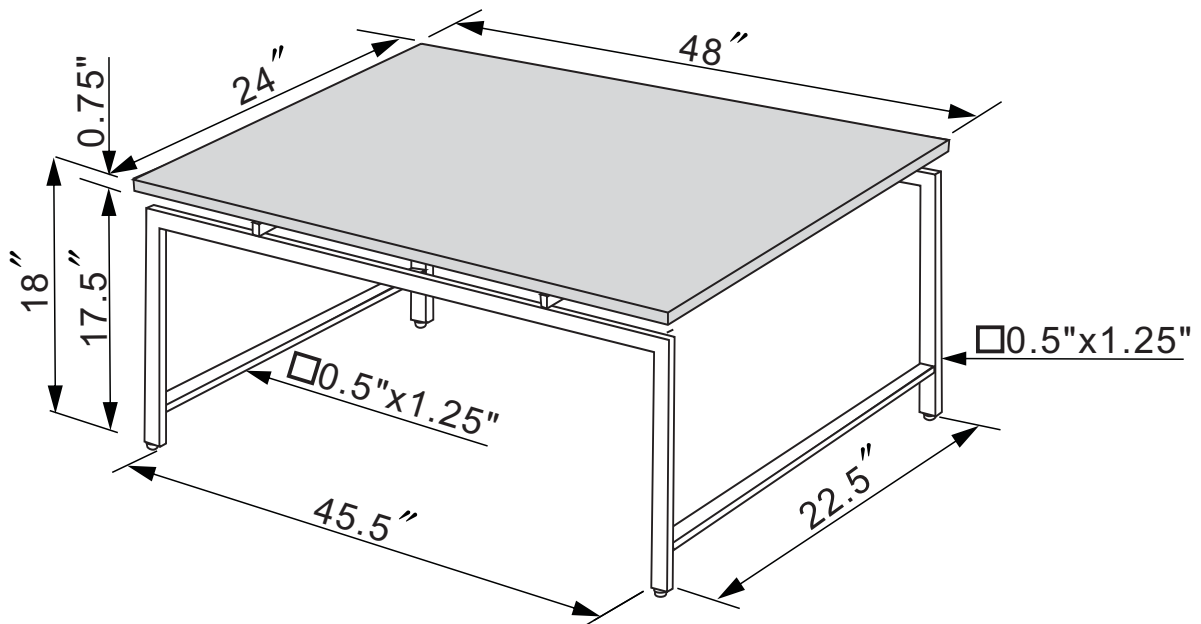
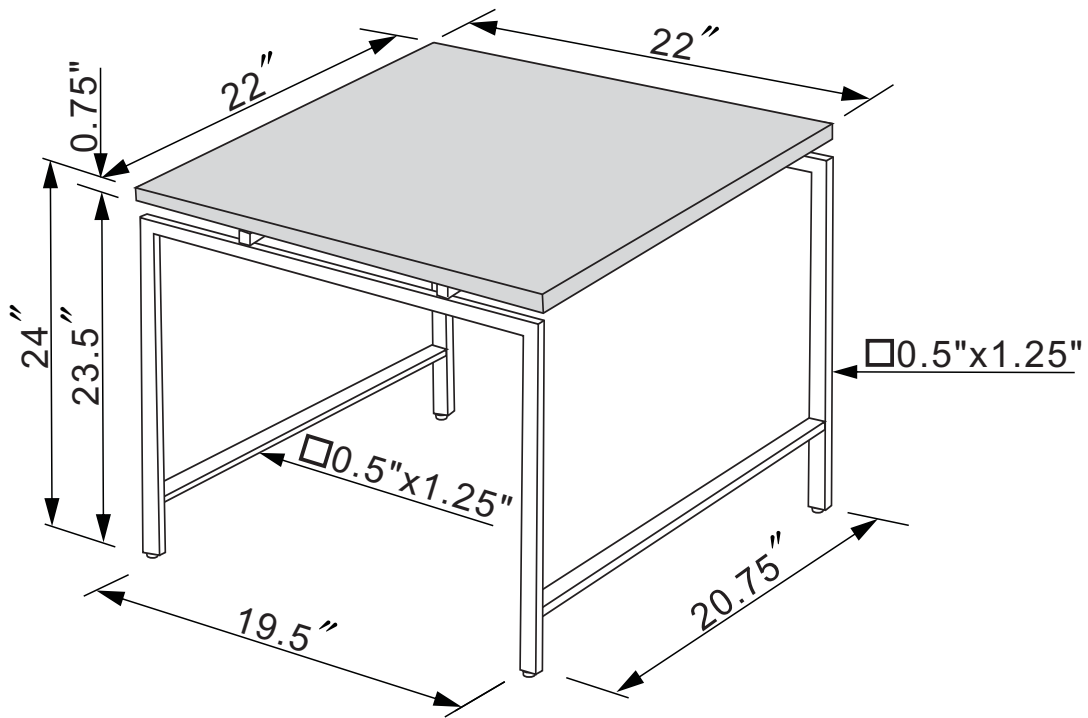
STEP 6



ITEM: **708153**



ASSEMBLY INSTRUCTIONS



Note: Dimension Tolerance $\pm 5\%$

