

**ASSEMBLY INSTRUCTIONS**  
**COASTER FINE FURNITURE**



*Fine Furniture for every stage of life*

**300407Q**  
**Queen Bed**

ITEM: **300407Q**



**ASSEMBLY INSTRUCTIONS**

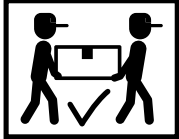
**ASSEMBLY TIPS:**

1. Remove hardware from box and sort by size.
2. Please check to see that all hardware and parts are present prior to start of assembly.
3. Please follow attached instructions in the same sequence as numbered to assure fast & easy assembly.



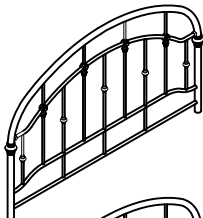
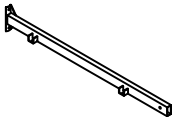
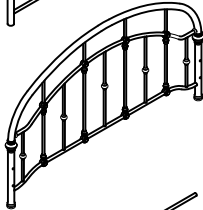
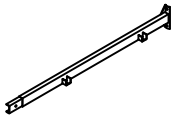
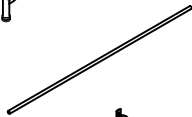




**WARNING !**

1. Don't attempt to repair or modify parts that are broken or defective. Please contact the store immediately.
2. This product is for home use only and not intended for commercial establishment.



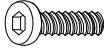
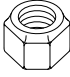
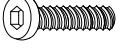

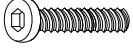
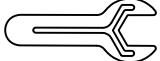


**ASSEMBLY TIME 20 MINUTE**

**PARTS IDENTIFICATION**

<b>A HEADBOARD</b>		<b>1PC</b>	<b>E SIDE RAIL 1</b>		<b>2PCS</b>
<b>B FOOTBOARD</b>		<b>1PC</b>	<b>F SIDE RAIL 2</b>		<b>2PCS</b>
<b>C CROSSBAR</b>		<b>1PC</b>	<b>G SLAT 1</b>		<b>2PCS</b>
<b>D LEG</b>		<b>2PCS</b>	<b>H SLAT 2</b>		<b>2PCS</b>
			<b>I SUPPORT LEG</b>		<b>6PCS</b>

**HARDWARE IDENTIFICATION**

<b>1 BOLT</b> (1/4"x2" - BLK)		<b>6PCS</b>	<b>5 WASHER</b> (φ16mm - BLK)		<b>30PCS</b>
<b>2 BOLT</b> (1/4"x5/8" - BLK)		<b>16PCS</b>	<b>6 NUT</b> (φ1/4" - BLK)		<b>4PCS</b>
<b>3 BOLT</b> (1/4"x7/8" - BLK)		<b>4PCS</b>	<b>7 ALLEN KEY</b> (4x22x60mm - BLK)		<b>1PC</b>
<b>4 BOLT</b> (1/4"x1-3/4" - BLK)		<b>6PCS</b>	<b>8 WRENCH</b> (WHT)		<b>1PC</b>

**NOTE:**

Phillips head screw driver is required in the assembly process; however, manufacturer does not provide this item.

ITEM: **300407Q**



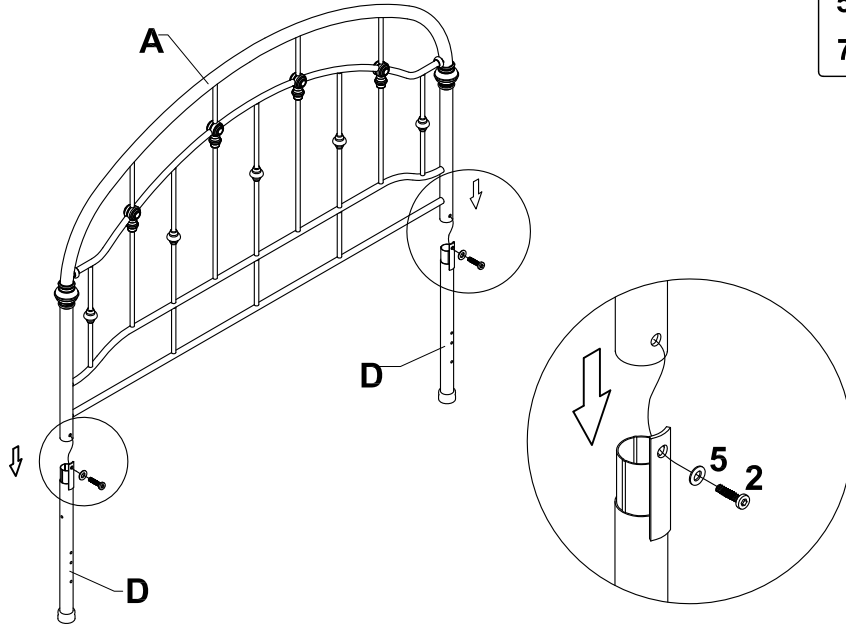
## ASSEMBLY INSTRUCTIONS

### STEP 1:

#### ASSEMBLY

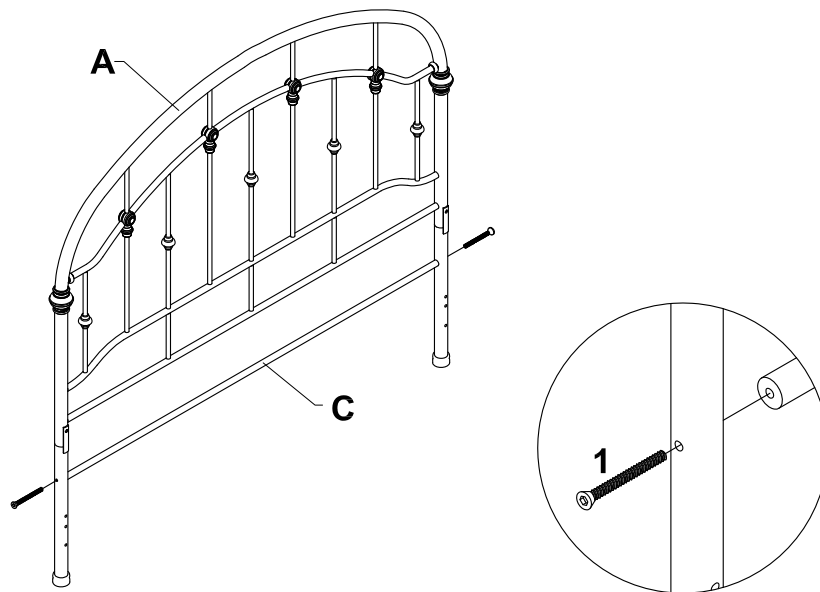
Do not fully tighten all bolts until assembly is complete.  
This will help all parts to assemble properly.

2		2PCS
5		2PCS
7		



### STEP 2:

1		2PCS
7		



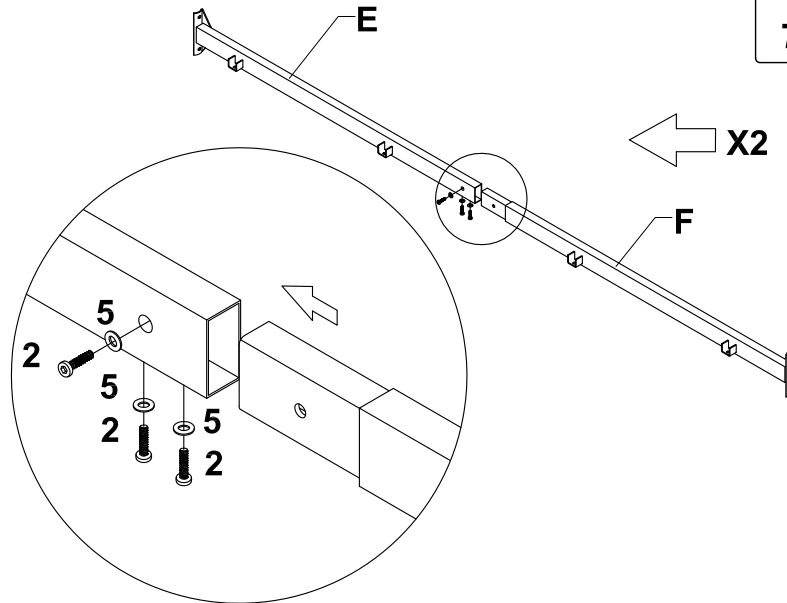
ITEM: **300407Q**

**ASSEMBLY INSTRUCTIONS**

**STEP 3:**

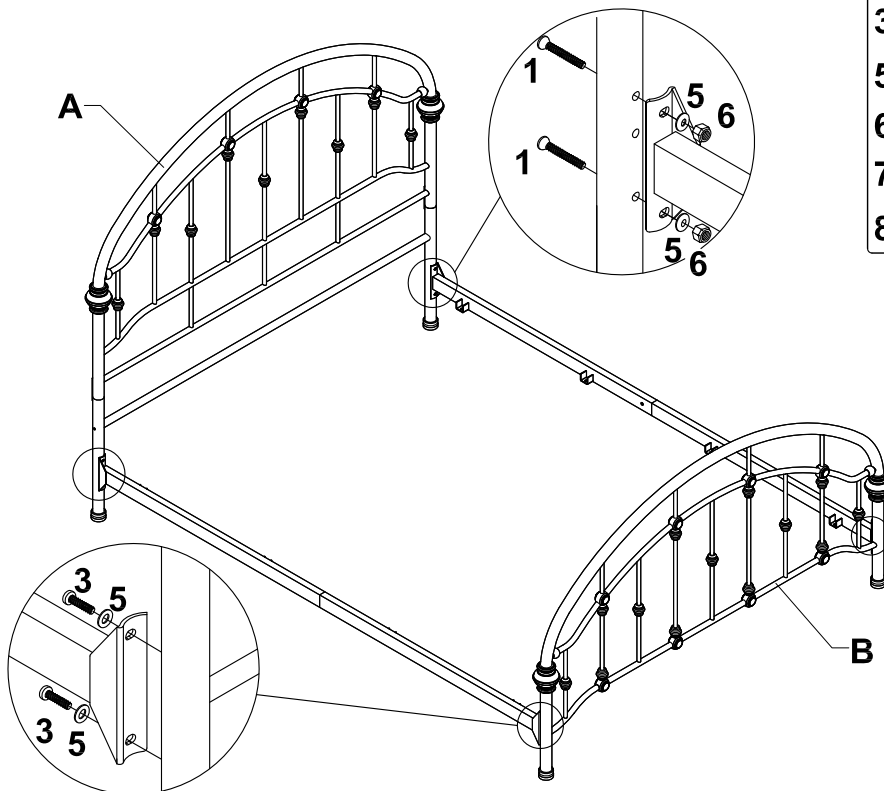


2		6PCS
5		6PCS
7		



**STEP 4:**

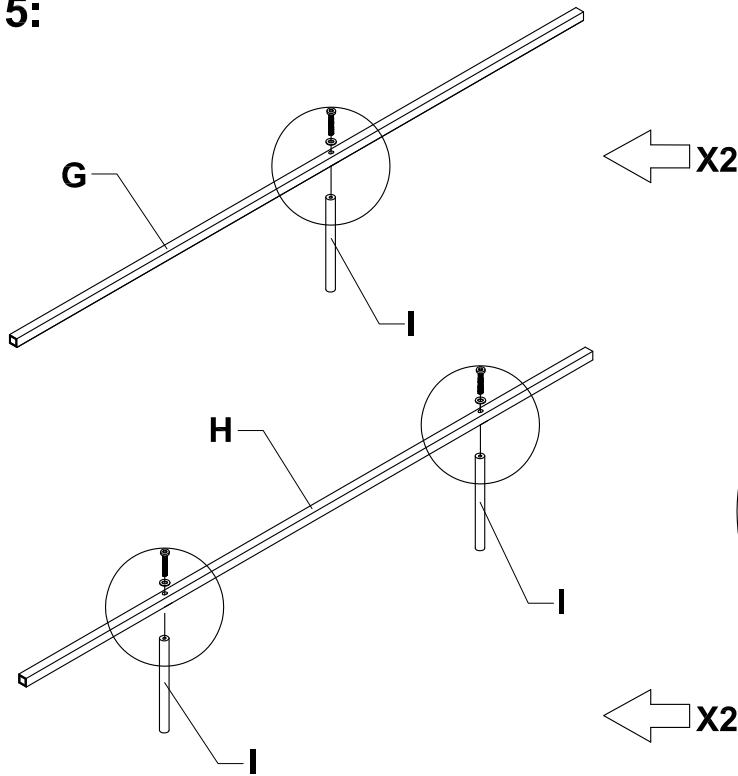
1		4PCS
3		4PCS
5		8PCS
6		4PCS
7		
8		



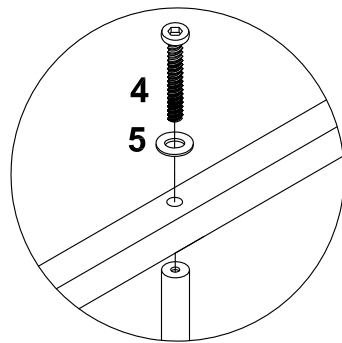
ITEM: **300407Q**

**ASSEMBLY INSTRUCTIONS**

**STEP 5:**

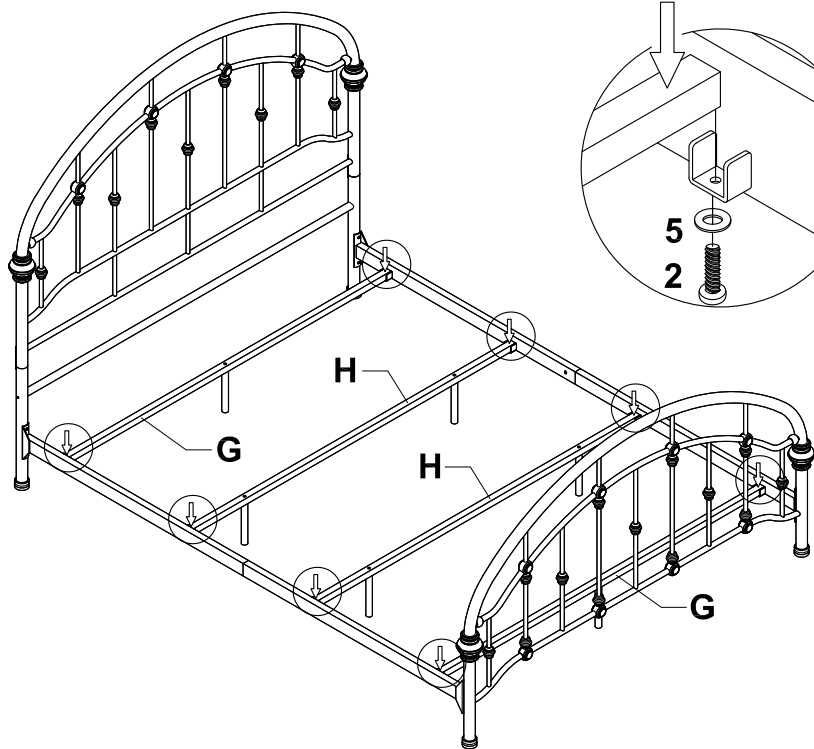


4		6PCS
5		6PCS
7		



**ATTENTION: TIGHTEN ALL THE BOLTS AT THIS STEP.**

**STEP 6:**

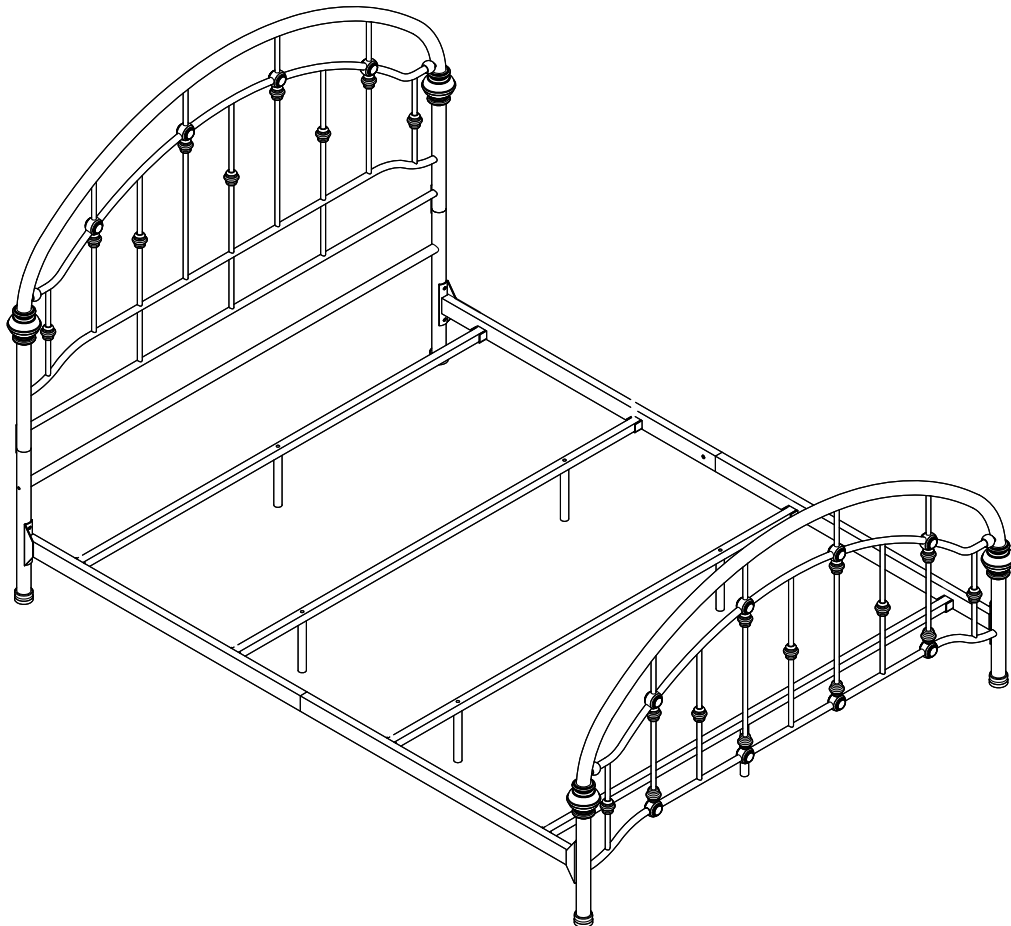


2		8PCS
5		8PCS
7		

ITEM: **300407Q**

## ASSEMBLY INSTRUCTIONS

### STEP 7:



#### **WARNINGS:**

- Use only mattress which is 79"-80" long and 59"-60" wide.
- Do not allow horseplay or under the bed and prohibit jumping on the bed.
- Periodically check and ensure that all the components are in their proper position, free from damage, and that all connectors are tight.
- Do not use substitute parts, Contact the store for replacement part.
- Maximum total weight is not to exceed 600 lbs.
  
- **Keep these instructions for future reference.**

ITEM:300407Q

**COASTER**<sup>®</sup>  
FINE FURNITURE

