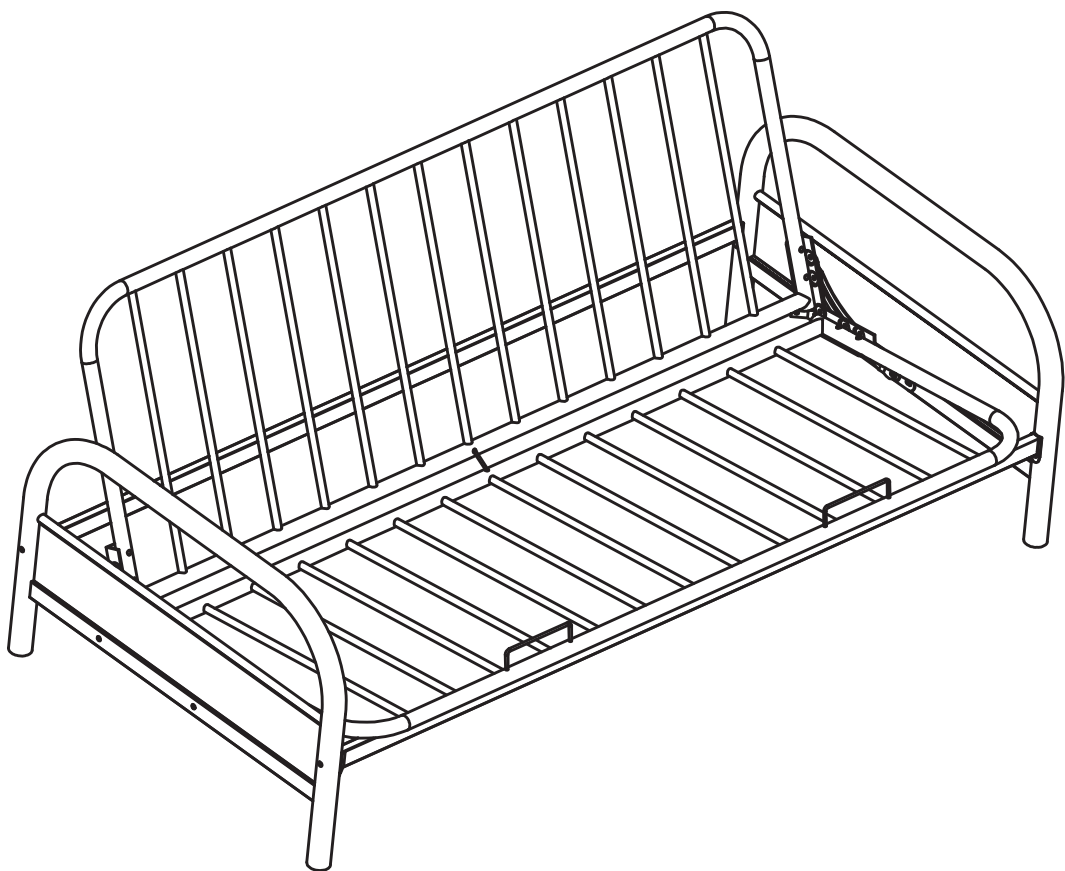


**ASSEMBLY INSTRUCTIONS**  
**COASTER FINE FURNITURE**



*Fine Furniture for every stage of life*

**2334**  
**Metal Futon**

# ITEM: 2334



## ASSEMBLY INSTRUCTIONS

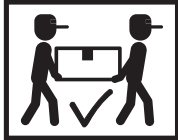
### ASSEMBLY TIPS:

1. Remove hardware from box and sort by size.
2. Please check to see that all hardware and parts are present prior to start of assembly.
3. Please follow attached instructions in the same sequence as numbered to assure fast & easy assembly.



### WARNING!

1. Don't attempt to repair or modify parts that are broken or defective. Please contact the store immediately.
2. This product is for home use only and not intended for commercial establishments.



ASSEMBLY TIME

30 MINUTES

## PARTS IDENTIFICATION

A	RSF ARM		1PC	E	RAIL		2PCS
B	RSF ARM		1PC	F	RSF MECHANISM		1PC
C	SEAT FRAME		1PC	G	LSF MECHANISM		1PC
D	BACK FRAME		1PC	H	HOOK		1PC

## HARDWARE IDENTIFICATION

### Z-HARDWARE

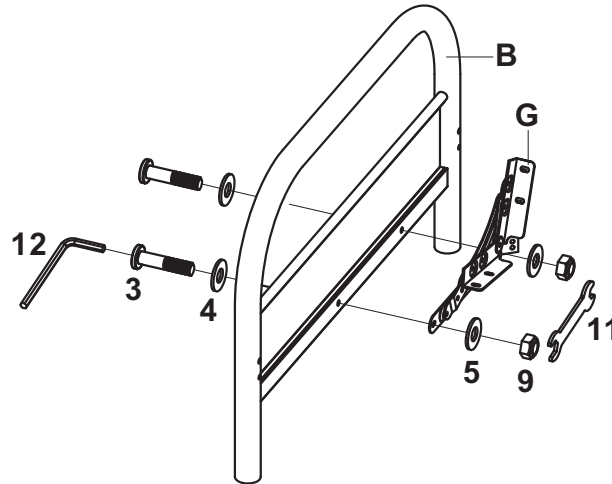
1	BOLT(Ø5/16"x3"L)		4PCS	8	WAVE WASHER		4PCS
2	BOLT(Ø 5/16"x1-3/4"L)		8PCS	9	NUT		12PCS
3	BOLT(Ø5/16"x1-1/4"L)		4PCS	10	PAD		4PCS
4	WASHER		12PCS	11	WRENCH		1PC
5	LOCK WASHER(Ø5/16")		12PCS	12	ALLEN KEY(Ø5/16")		1PC
6	SPRING WASHER (Ø1/4")		4PCS	13	ALLEN KEY(Ø1/4")		1PC
7	BOLT (Ø1/4"x1-1/4"L)		4PCS				

ITEM: 2334

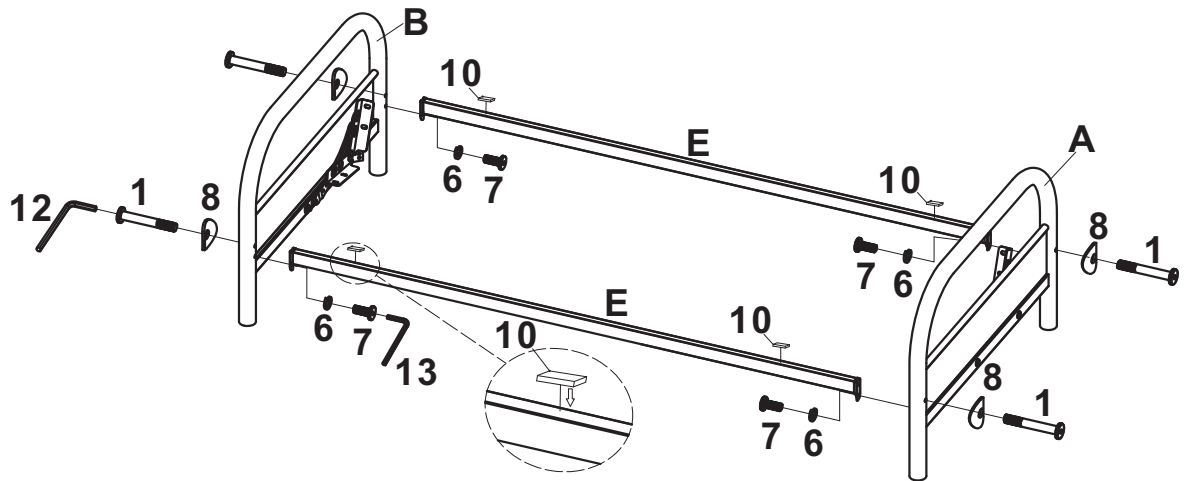
# ASSEMBLY INSTRUCTIONS



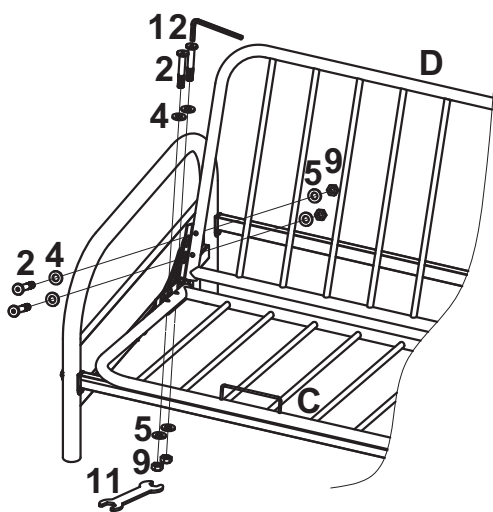
## STEP 1



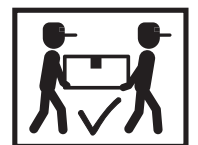
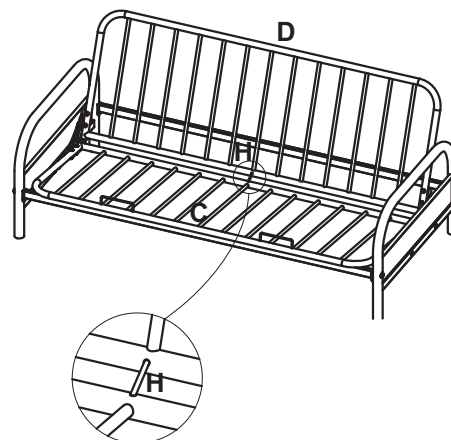
## STEP 2

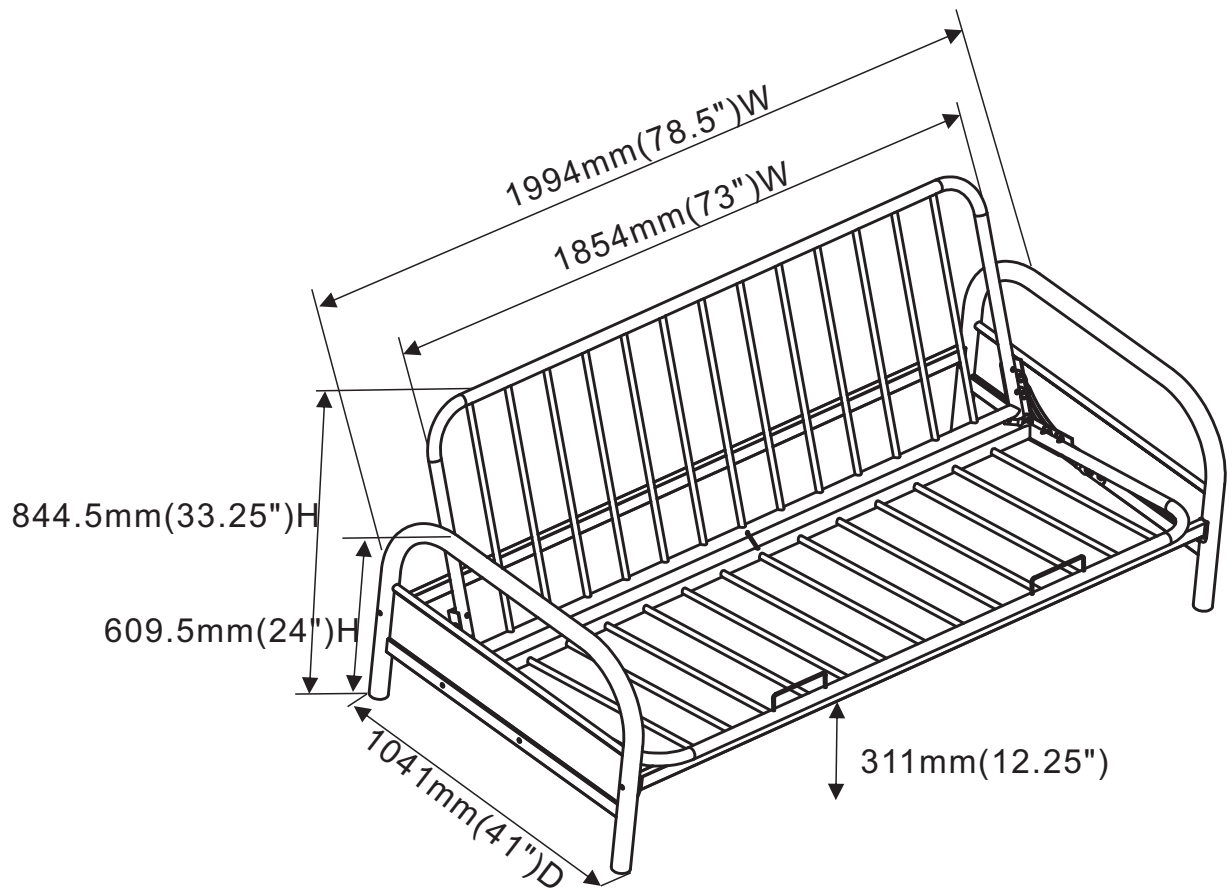


## STEP 3



## STEP 4





Note : Dimension tolerance  $\pm 5\%$