

**ASSEMBLY INSTRUCTIONS**  
**COASTER FINE FURNITURE**



*Fine Furniture for every stage of life*

**100201**  
**GAME TABLE**

ITEM: **100201**



## ASSEMBLY INSTRUCTIONS

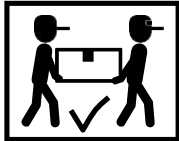
### ASSEMBLY TIPS:

1. Remove hardware from box and sort by size.
2. Please check to see that all hardware and parts are present prior to start of assembly.
3. Please follow attached instructions in the same sequence as numbered to assure fast & easy assembly.



### WARNING!

1. Don't attempt to repair or modify parts that are broken or defective. Please contact the store immediately.
2. This product is for home use only and not intended for commercial establishments.



ASSEMBLY TIME

15 MINUTES

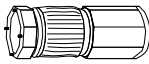
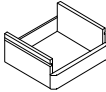
## PARTS IDENTIFICATION

A	DINING TOP		1
B	POOL TOP		1
C	MOUNTING BOARD		1
D	BASE		4
E	BRUSH		1
F	BALL SET		1
G	CUE STICK		2
H	CHALK		2

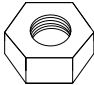

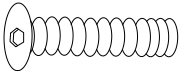
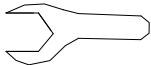
**ITEM:100201**



## PARTS IDENTIFICATION

I	PEDESTAL		1
J	DRAWER		2

## HARDWARE IDENTIFICATION

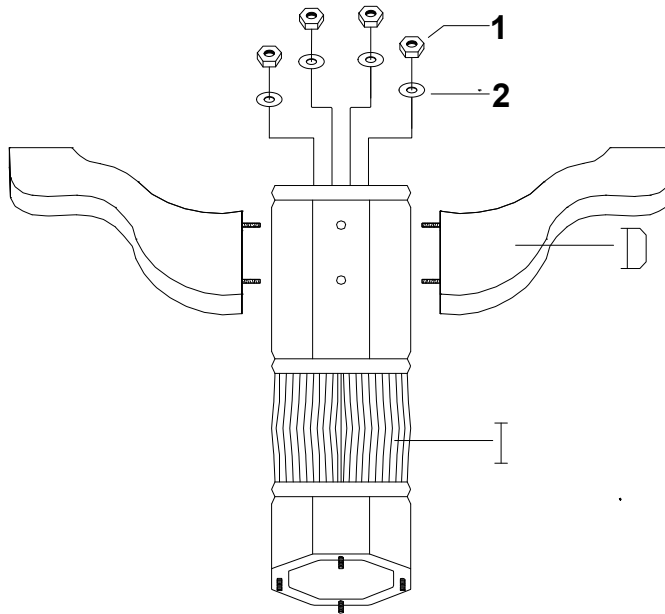
1	SMALL BOLT (5/16*12)		8
2	METAL WASHER(5/16*19)		12
3	LARGE BOLT(5/16*40)		4
4	ALLEN WRENCH(5/16)		1

**NOTE:**

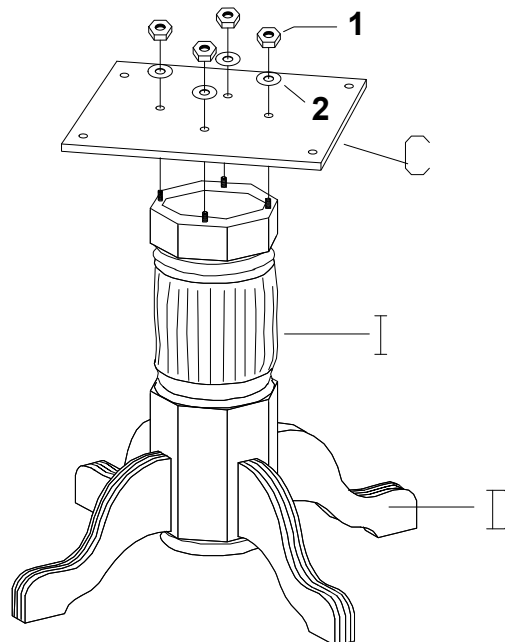
Phillips head screw driver is required in the assembly process; however, manufacturer does not provide this item.

ITEM: **100201**

**ASSEMBLY INSTRUCTIONS**  
**LOWER BED END**  
**STEP 1**

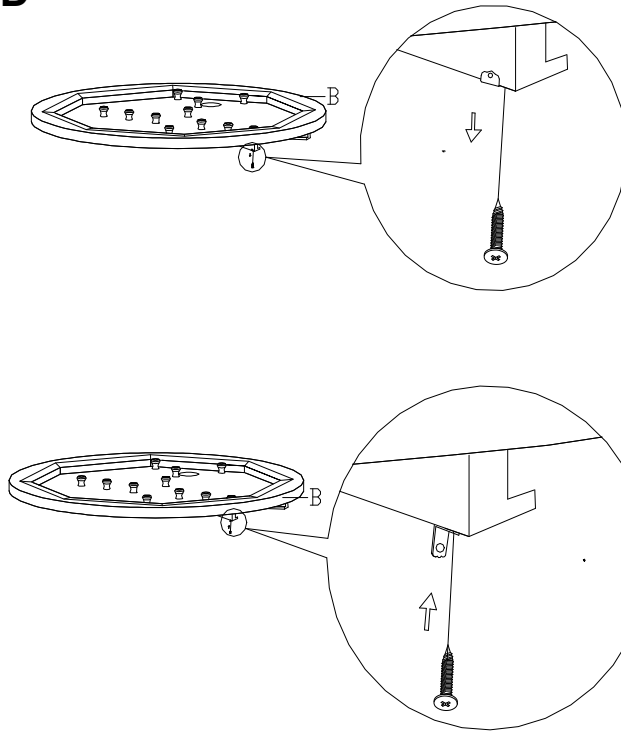


**UPPER BED END**  
**STEP 2**

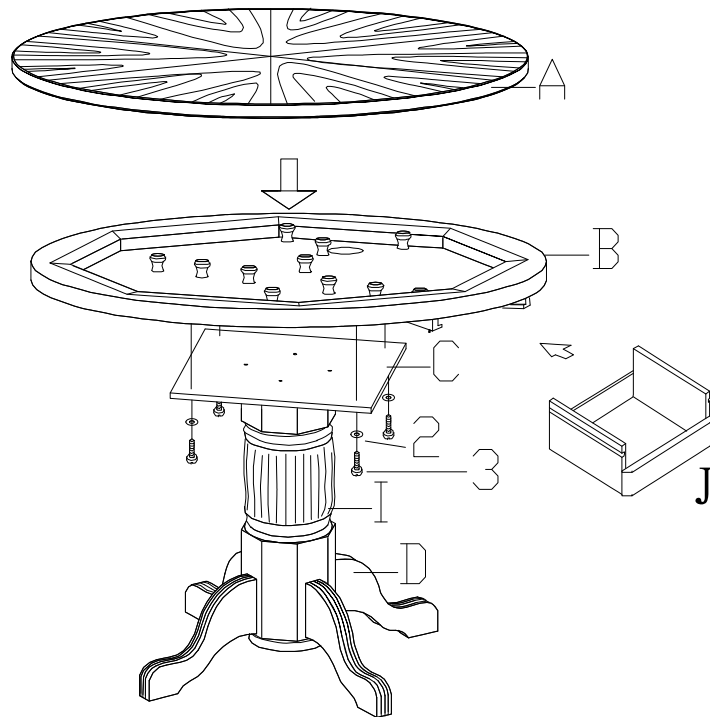


ITEM: **100201**

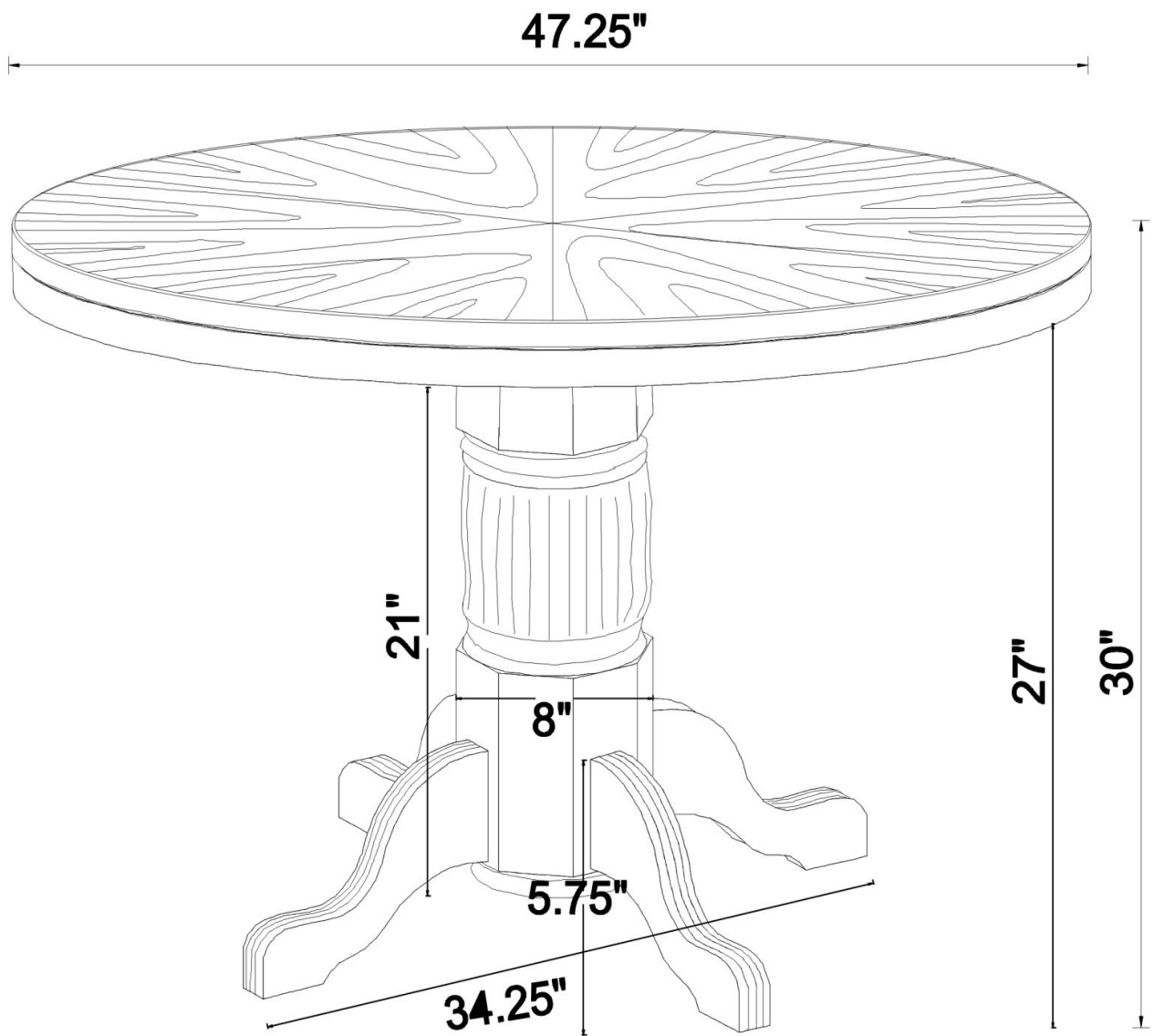
**ASSEMBLY INSTRUCTIONS**  
**LOWER BED END**  
**STEP 3**



**UPPER BED END**  
**STEP 4**



ITEM: **100201**



Note: Dimension tolerance  $\pm 5\%$