

ASSEMBLY INSTRUCTIONS
COASTER FINE FURNITURE



Fine Furniture for every stage of life

100171
GAME TABLE

ITEM: 100171



ASSEMBLY INSTRUCTIONS

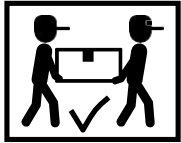
ASSEMBLY TIPS:

1. Remove hardware from box and sort by size.
2. Please check to see that all hardware and parts are present prior to start of assembly.
3. Please follow attached instructions in the same sequence as numbered to assure fast & easy assembly.



WARNING!

1. Don't attempt to repair or modify parts that are broken or defective. Please contact the store immediately.
2. This product is for home use only and not intended for commercial establishments.



ASSEMBLY TIME

15 MINUTES

PARTS IDENTIFICATION

100171B 1:

A	DINING TOP		1
B	POOL TOP		1
C	MOUNTING BOARD		1
D	BASE		1
E	BRUSH		1
F	BALL SET		1
G	CUE STICK		2
H	CHALK		2

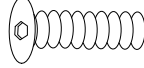
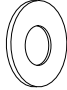
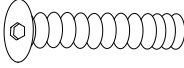


100171B 2:

I	PEDESTAL		1
J	DRAWER		2

ITEM:100171

HARDWARE IDENTIFICATION



1	SMALL BOLT (5/16*40)		8
2	METAL WASHER (5/16*19)		12
3	LARGE BOLT (5/16*75)		4
4	ALLEN WRENCH (5/16)		1
5	LARGE SPRING WASHER(5/16)		12

Hardware Pack is located in 100171B1

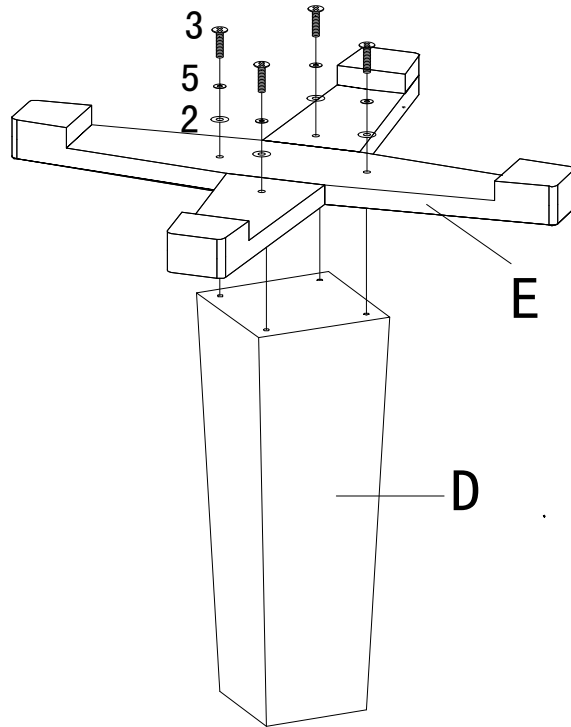
NOTE:

Phillips head screw driver is required in the assembly process; however, manufacturer does not provide this item.

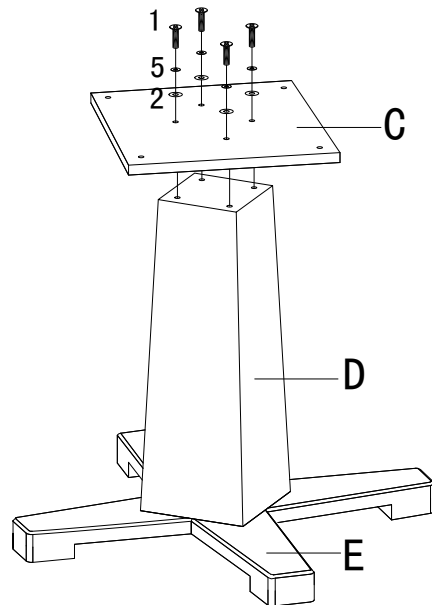
ITEM: **100171**



ASSEMBLY INSTRUCTIONS
LOWER BED END
STEP 1

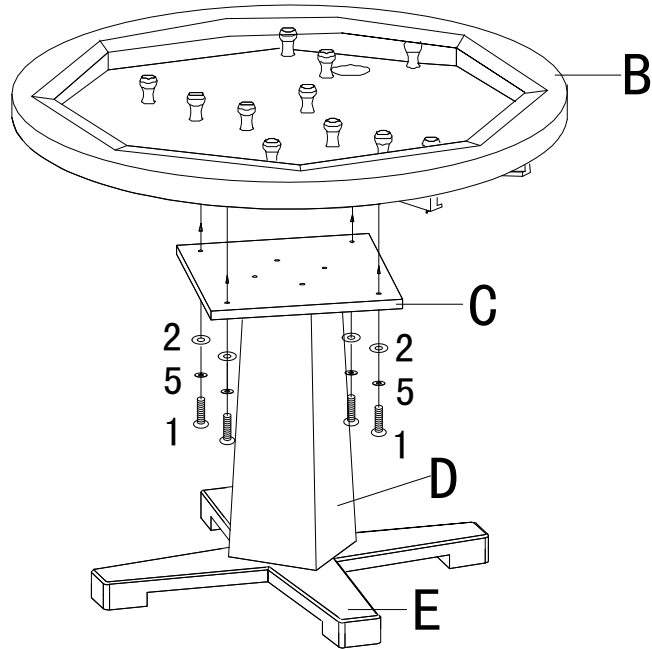


UPPER BED END
STEP 2



COASTERFURNITURE.COM

ITEM: **100171**
ASSEMBLY INSTRUCTIONS
STEP 3



STEP 4

