



ASSEMBLY INSTRUCTIONS
COASTER FINE FURNITURE



Fine Furniture for every stage of life

902559
ACCENT CHAIR

ITEM : 902559

ASSEMBLY INSTRUCTIONS



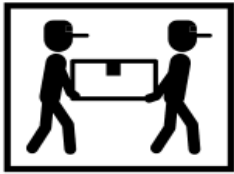
ASSEMBLY TIPS:

- 1.Remove hardware from box and sort by size.
- 2.Please check to see that all hardware and parts are present prior to start of assembly.
- 3.Please follow attached instruction in the same sequence as numbered to assure fast & easy assembly.

WARNING!



- 1.Don't attempt to repair or modify parts that are broken or defective. Please contact the store immediately.
- 2.This product is for home use only and not intended for commercial establishment.

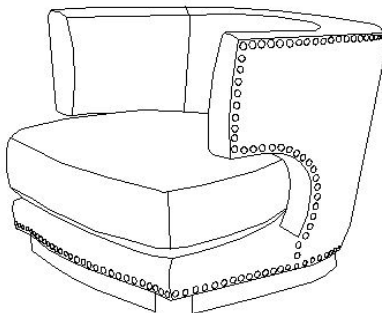


ASSEMBLY TIME PER UNIT

20MINUTES

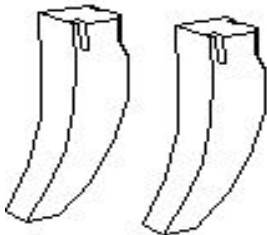
PARTS IDENTIFICATION

(A) SEAT



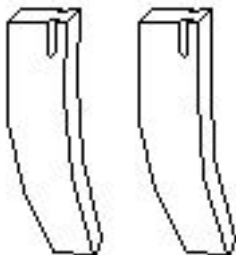
1 PC

(B) FRONT LEG







2 PCS

(C) REAR LEG

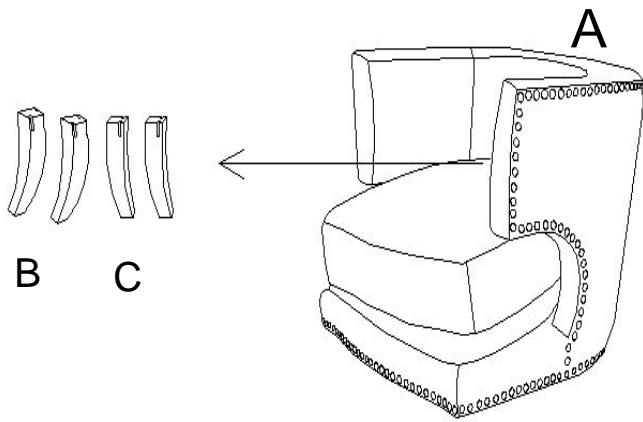


2 PCS

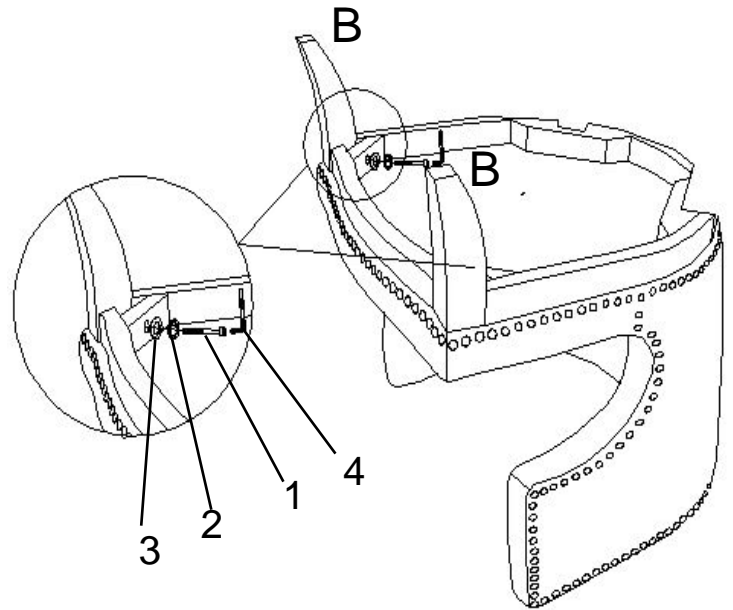
Z. HARDWARE PACKAGE:

NO	DESCRIPTION	FIGURE	Q'TY
1	SHORT BOLT M8*60MM		4PCS
2	BENT WASHER 8MM		4 PCS
3	WASHER (Φ8*Φ22)*2MM		4 PCS
4	ALLEN WRENCH M6		1 PC

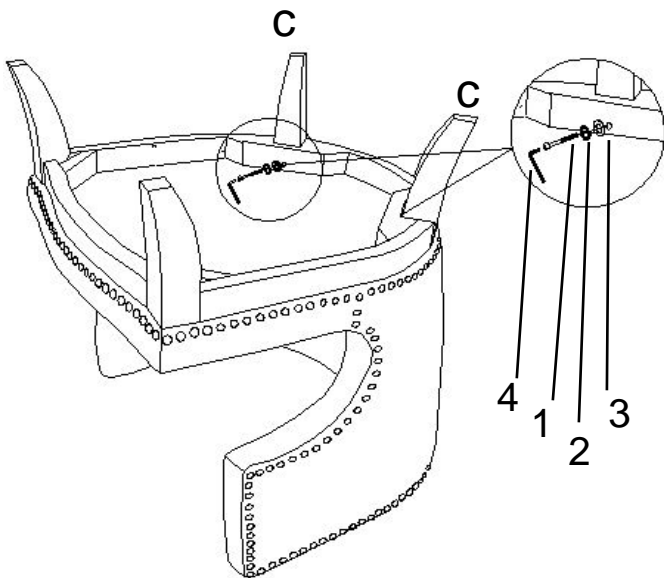
STEP 1:



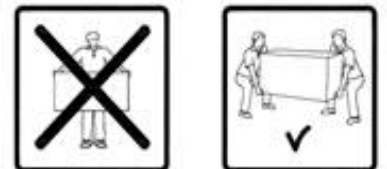
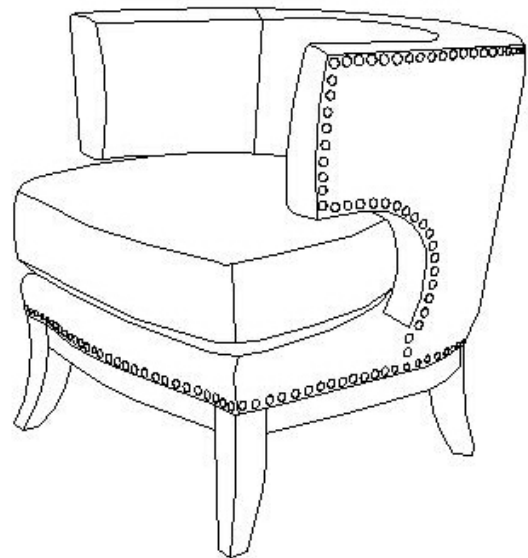
STEP 2:



STEP 3:



STEP 4:



PRODUCT/PART DIMENSIONS

