



*ASSEMBLY INSTRUCTIONS
COASTER FINE FURNITURE*



Fine Furniture for every stage of life

191991
Dining Table

ITEM: **191991**



ASSEMBLY INSTRUCTIONS

ASSEMBLY TIPS:

1. Remove hardware from box and sort by size.
2. Please check to see that all hardware and parts are present prior to start of assembly.
3. Please follow attached instructions in the same sequence as numbered to assure fast & easy assembly.



WARNING!

1. Don't attempt to repair or modify parts that are broken or defective. Please contact the store immediately.
2. This product is for home use only and not intended for commercial establishments.



ASSEMBLY TIME

10 MINUTES

PARTS IDENTIFICATION

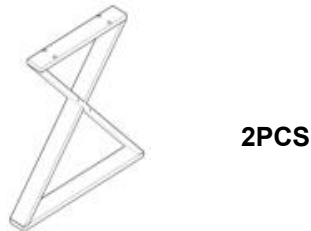
B1 (BOX 1)

A TOP



B2 (BOX 2)

B LEG



C CROSSBAR



NOTE:

Phillips head screw driver is required in the assembly process; however, manufacturer does not provide this item.

ITEM: **191991**



ASSEMBLY INSTRUCTIONS

ASSEMBLY TIPS:

1. Remove hardware from box and sort by size.
2. Please check to see that all hardware and parts are present prior to start of assembly.
3. Please follow attached instructions in the same sequence as numbered to assure fast & easy assembly.



WARNING!

1. Don't attempt to repair or modify parts that are broken or defective. Please contact the store immediately.
2. This product is for home use only and not intended for commercial establishments.








ASSEMBLY TIME

10 MINUTES

HARDWARE IDENTIFICATION

Z-B2 (BOX 2) - HARDWARE PACK IS LOCATED IN 191991 (B2)

1	ALLEN KEY (4MM)		1PC
2	ALLEN SCREW (M6*20)		4PCS
3	RUBBER MAT (38*38)		4PCS
4	ALLEN KEY (5MM)		1PCS
5	ALLEN SCREW (M8*50)		8PCS

HARDWARE PACK IS LOCATED IN 191991 (B2)

NOTE:

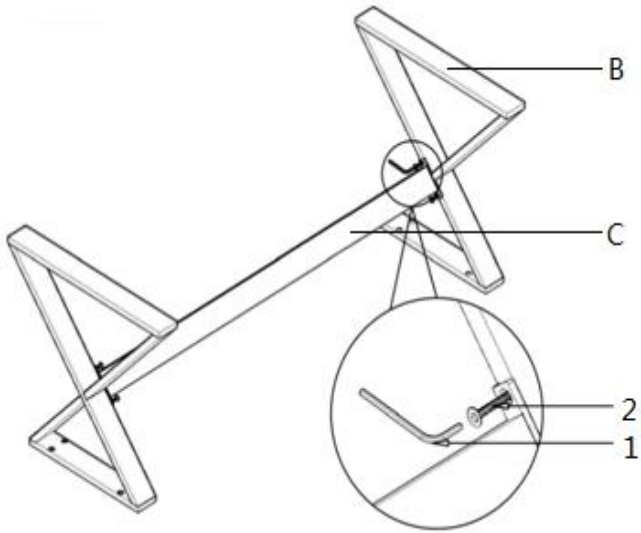
Phillips head screw driver is required in the assembly process; however, manufacturer does not provide this item.

ITEM: **191991**

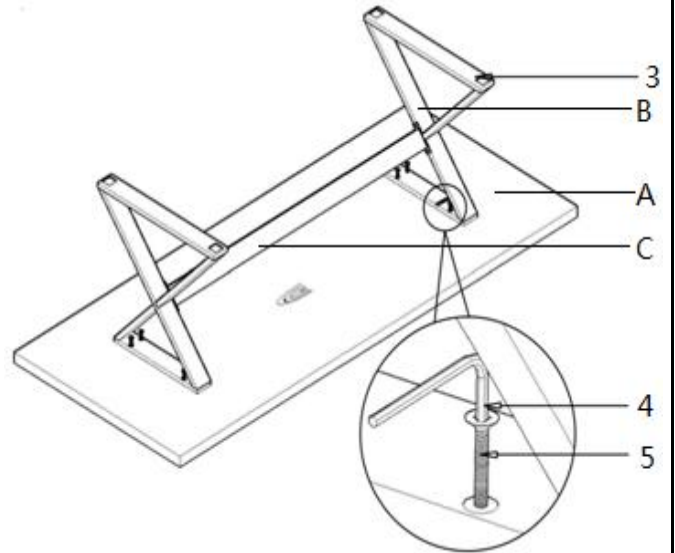


ASSEMBLY INSTRUCTIONS

STEP 1



STEP 2



STEP 3 COMPLETE



ITEM: **191991**

