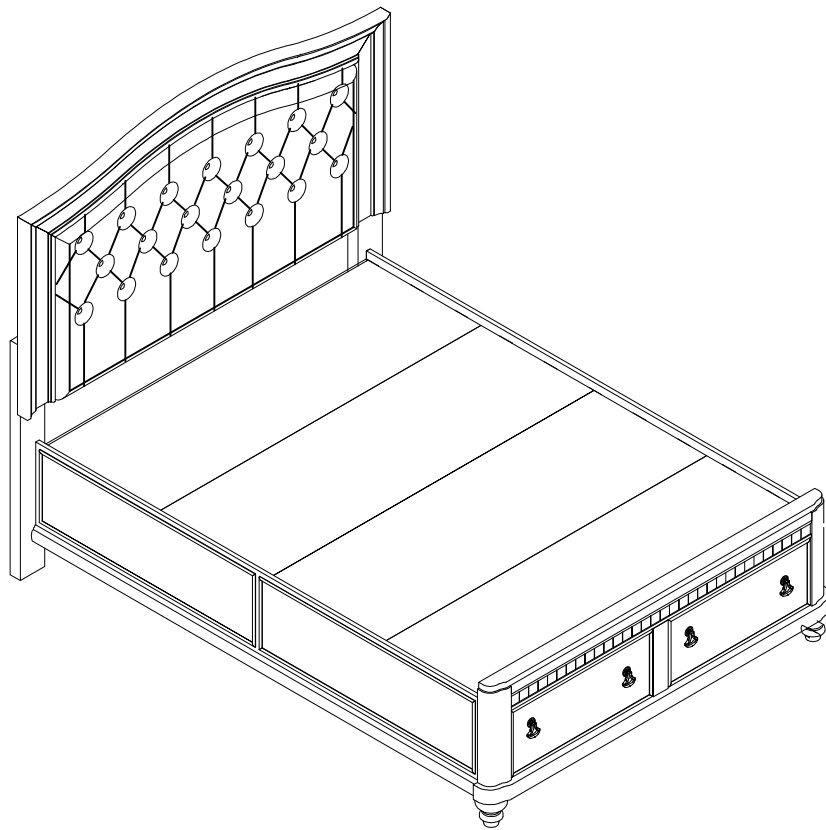


ASSEMBLY INSTRUCTIONS
COASTER FINE FURNITURE



Fine Furniture for every stage of life

204180Q (B1-B3)
Queen Storage Bed

REVISION 0 : 03/06/2017
REVISION 1 : 07/04/2017
REVISION 2 : 11/05/2019

ITEM: 204180Q (B1-B3)

ASSEMBLY INSTRUCTIONS

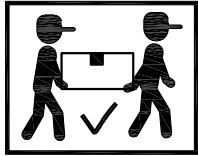
ASSEMBLY TIPS:

1. Remove hardware from box and sort by size.
2. Please check to see that all hardware and parts are present prior to start of assembly.
3. Please follow attached instructions in the same sequence as numbered to assure fast & easy assembly.

WARNING!



1. Don't attempt to repair or modify parts that are broken or defective. Please contact the store immediately.
2. This product is for home use only and not intended for commercial establishments.



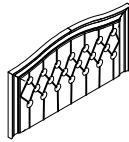
ASSEMBLY TIME

20 MINUTES

PARTS IDENTIFICATION

B1 (BOX 1)

A HEADBOARD PANEL



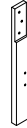
1PC

B LEFT HEADBOARD LEG



1PC

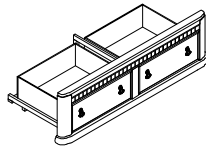
C RIGHT HEADBOARD LEG



1PC

B2 (BOX 2)

D STORAGE FOOTBOARD



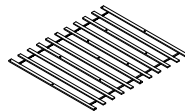
1PC

E FOOTBOARD BUN FOOT



2PCS

F ROLL SLAT (11PCS)



1SET

G FOOTBOARD SUPPORT LEG WITH LEVELER



3PCS

H CONCEAL PANEL (WITH "H" LABEL)



1PC

I CENTER RAIL SUPPORT WITH LEVELER



2PCS

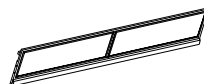
L CONCEAL PANEL (WITH "L" LABEL)



3PCS

B3 (BOX 3)

J BED RAIL



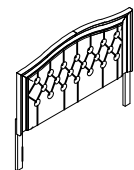
2PCS

K CENTER RAIL



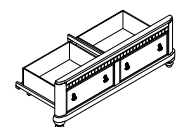
1PC

HB 204180Q (B1) FROM BOX 1 HEADBOARD COMPLETE



1PC

FB 204180Q (B2) FROM BOX 2 STORAGE FOOTBOARD COMPLETE



1PC

ITEM: 204180Q (B1-B3)

ASSEMBLY INSTRUCTIONS

ASSEMBLY TIPS:

1. Remove hardware from box and sort by size.
2. Please check to see that all hardware and parts are present prior to start of assembly.
3. Please follow attached instructions in the same sequence as numbered to assure fast & easy assembly.

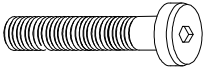





WARNING!

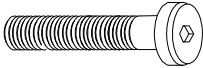
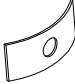
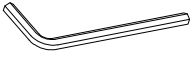
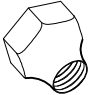


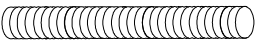
1. Don't attempt to repair or modify parts that are broken or defective. Please contact the store immediately.
2. This product is for home use only and not intended for commercial establishments.

HARDWARE IDENTIFICATION

Z-B1 (BOX 1) - HARDWARE PACK IS LOCATED IN 204180Q (B1)

1	BOLT (5/16" x 60mm - BLK)		6PCS	3	FLAT WASHER (5/16" x 19 x 1.5mm - BLK)		6PCS
2	LOCK WASHER (5/16" - BLK)		6PCS	4	ALLEN WRENCH (4MM - BLK)		1PC

Z-B3 (BOX 3) - HARDWARE PACK IS LOCATED IN 204180Q (B3)

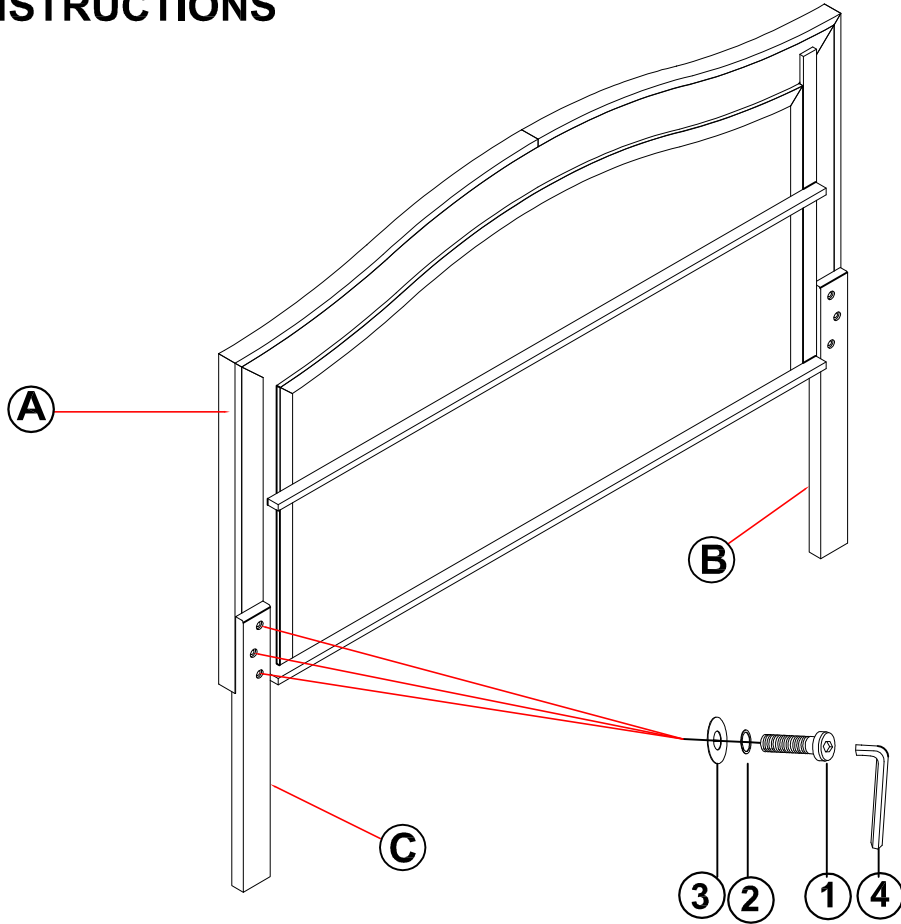
5	BOLT (1/4" x 32mm - BLK)		4PCS	9	U-SQUARE WASHER (25 x 15 x 2mm - RBW)		8PCS
6	ALLEN WRENCH (4MM - RBW)		1PC	10	HEX NUT (5/16" x 17mm - RBW)		8PCS
7	FLAT HEAD SCREW (4 x 32mm - RBW)		6PCS	11	WRENCH (13MM - RBW)		1PC
8	THREADED BOLT (5/16" x 75mm - RBW)		8PCS				

NOTE:
Phillips head screw driver is required in the assembly process; however, manufacturer does not provide this item.

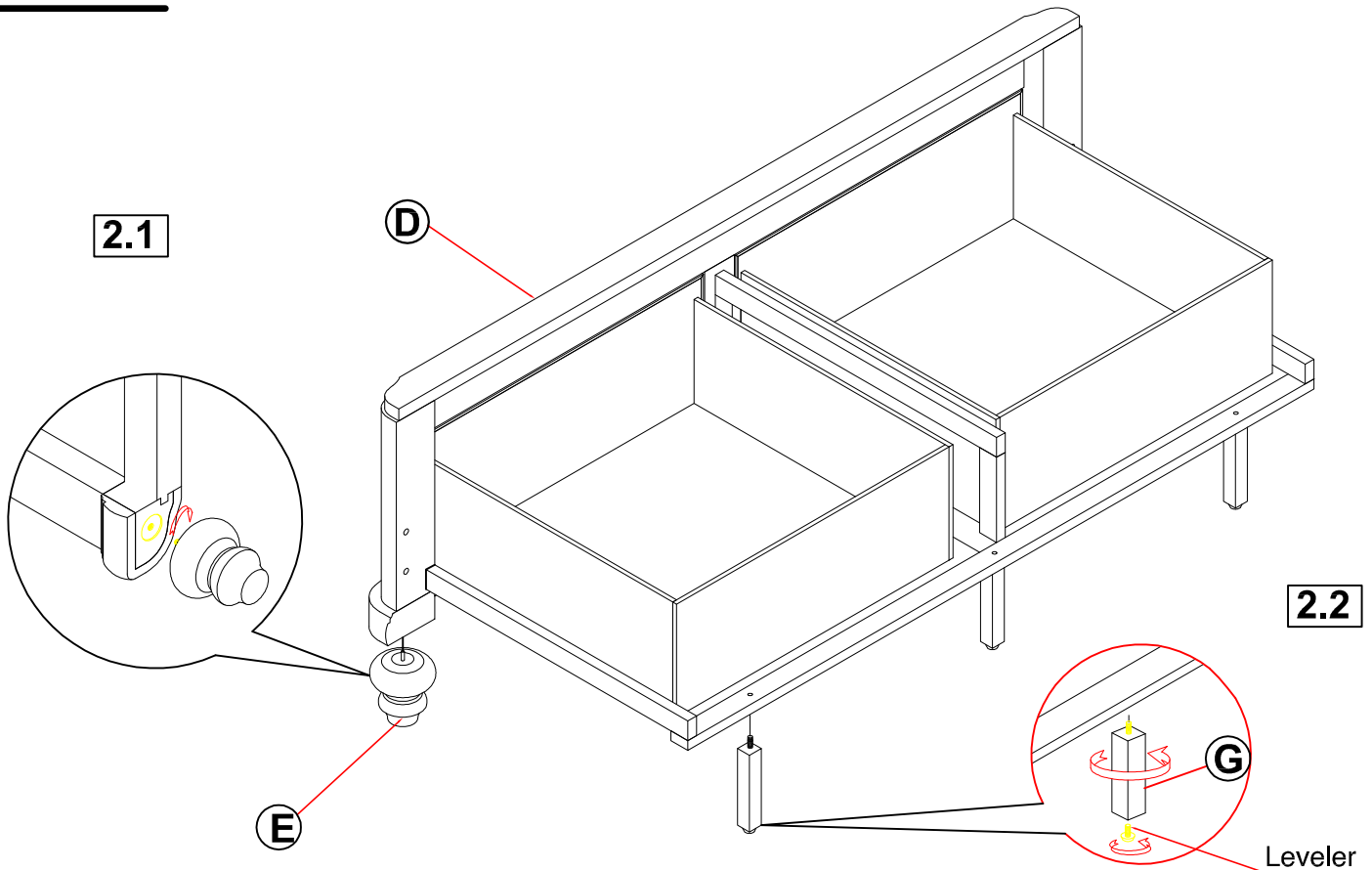
ITEM: 204180Q (B1-B3)

ASSEMBLY INSTRUCTIONS

STEP 1



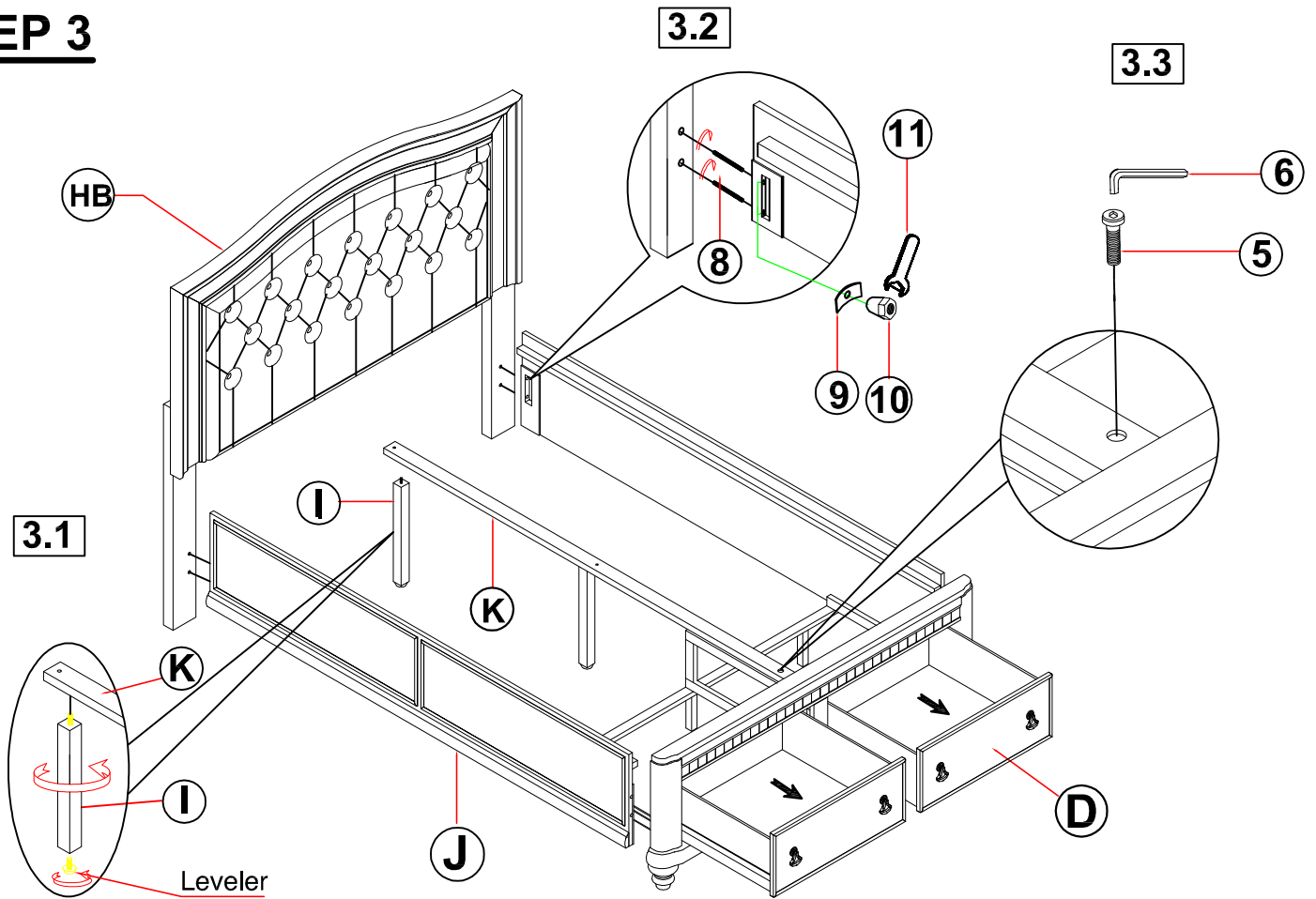
STEP 2



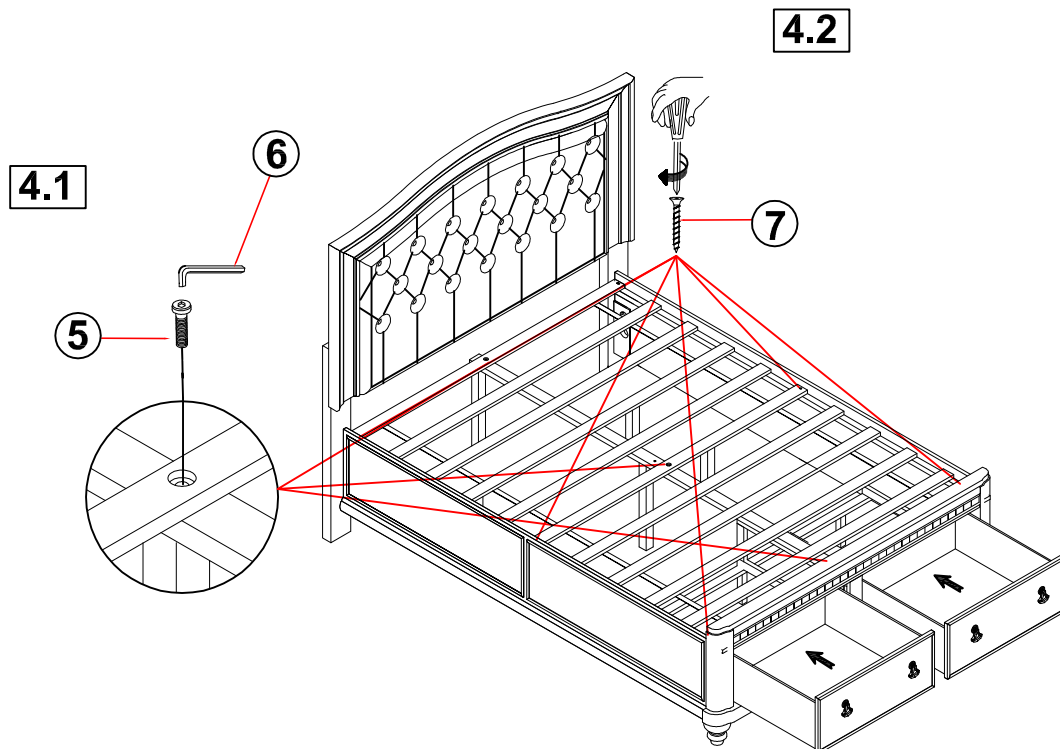
ITEM: 204180Q (B1-B3)

ASSEMBLY INSTRUCTIONS

STEP 3



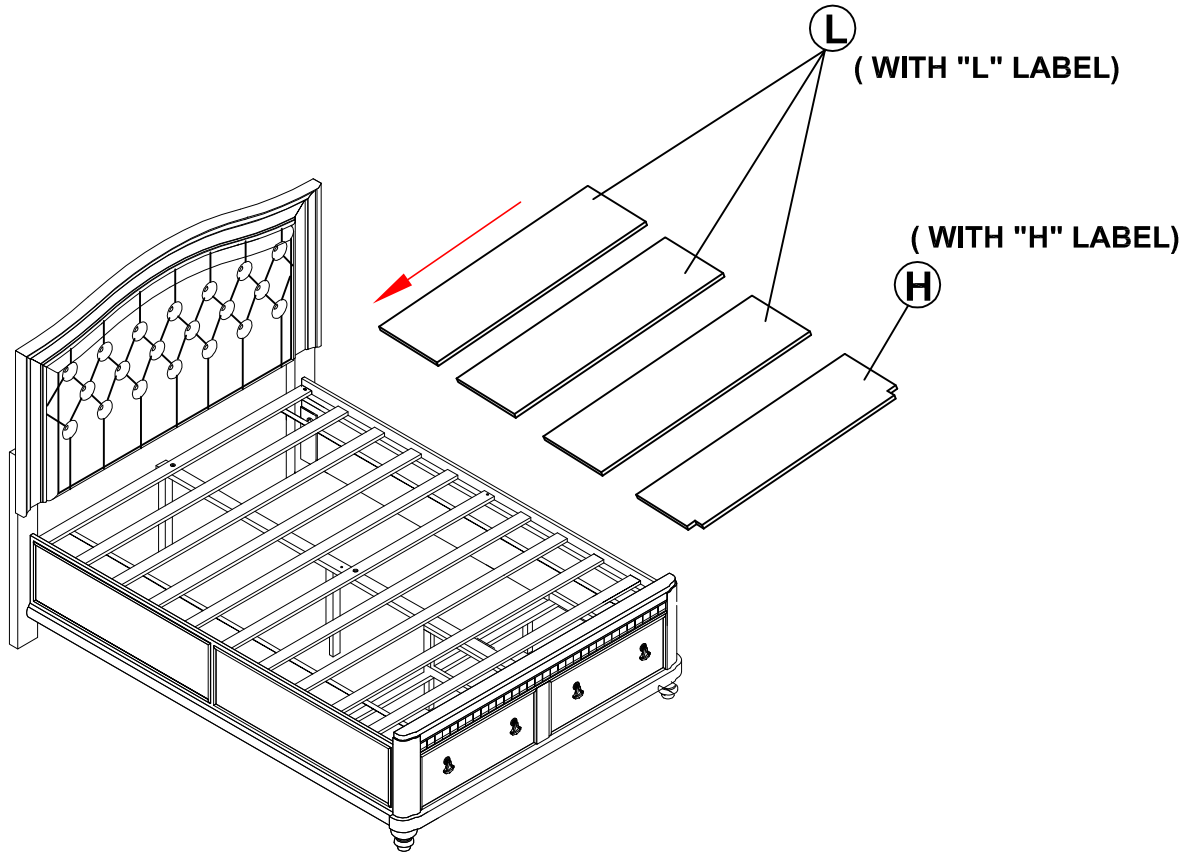
STEP 4



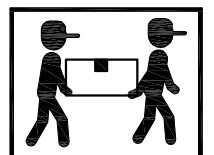
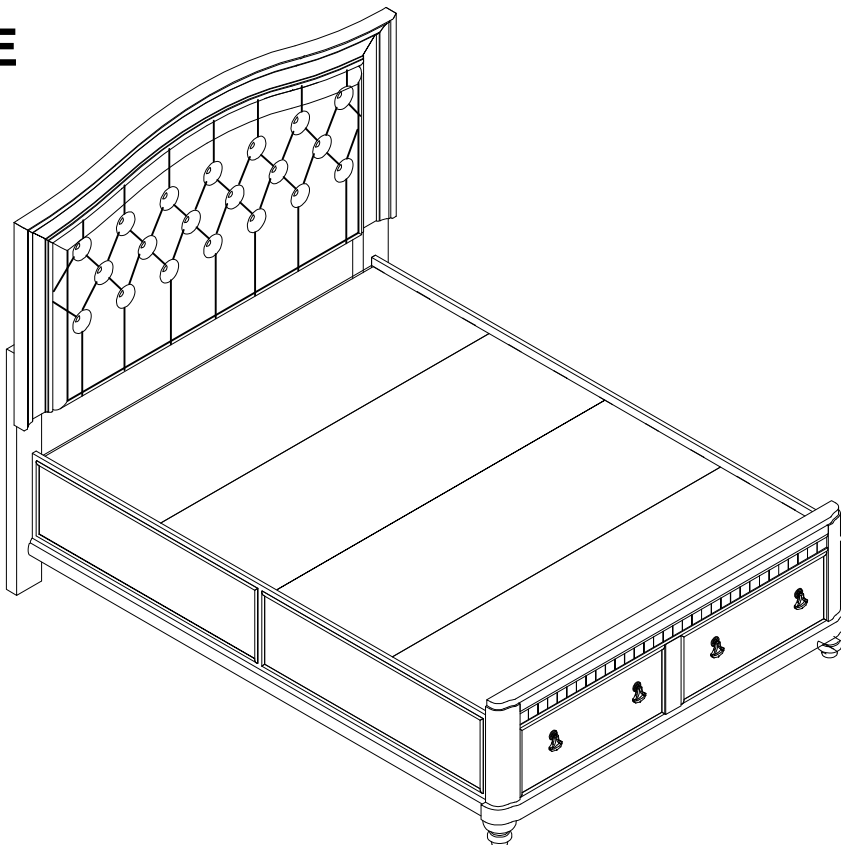
ITEM: 204180Q (B1-B3)

ASSEMBLY INSTRUCTIONS

STEP 5



STEP 6
COMPLETE

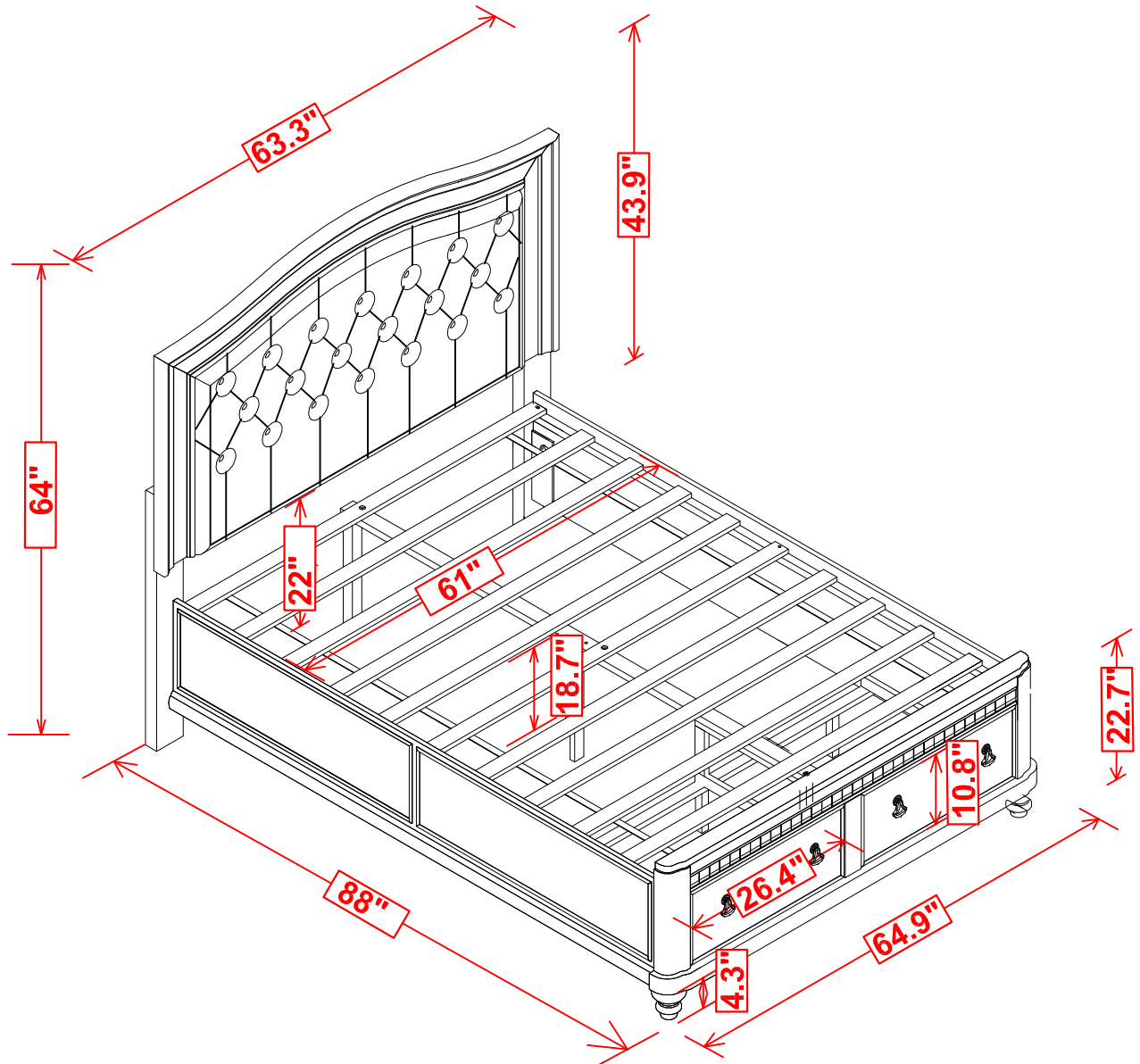


ITEM:204180Q (B1-B3)

COASTER
FINE FURNITURE

INNER SIZE:61.2"x81"

INNER SIZE OF DRAWER : 26.4" x 24.4" x 10.8"



Note : Dimension tolerance $\pm 5\%$