

**COASTER**<sup>®</sup>  
FINE FURNITURE

**722287**

END TABLE

ASSEMBLY INSTRUCTIONS  
COASTER FINE FURNITURE



[www.coastercompany.com](http://www.coastercompany.com)

REVISION 0: 05/28/2018

# ASSEMBLY INSTRUCTIONS

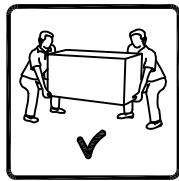
**ASSEMBLY TIPS:**

- 1.Remove hardware from box and sort by size.
- 2.Please check to see that all hardware and parts are present prior to start of assembly.
- 3.Please follow attached instructions in the same sequence as numbered to assure fast & easy assembly.



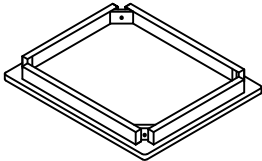
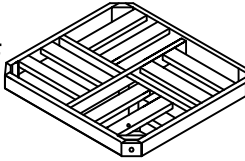
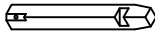
**Warning!**

- 1.Don't attempt to repair or modify parts that are broken or defective, Please contact the store immediately.
- 2.This product is for home use only and not intended for commercial establishment.







ASSEMBLY TIME PER UNIT: 20 MINUTES

## PARTS IDENTIFICATION

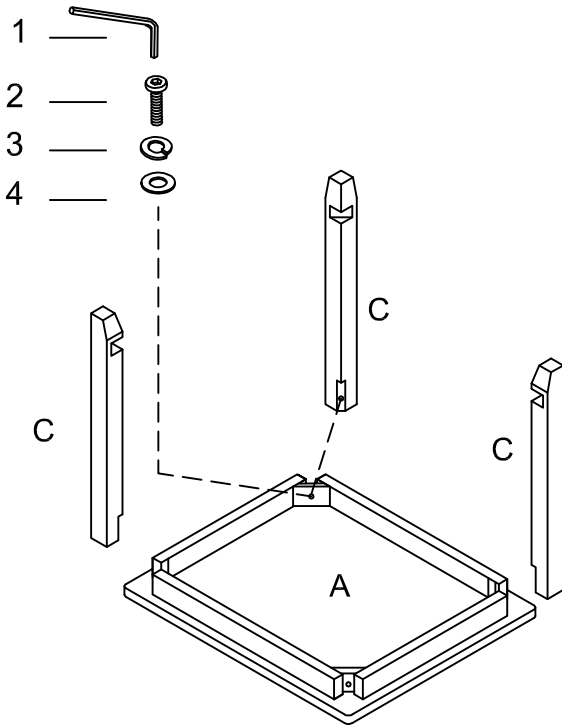
<b>A</b>	TOP		1PC
<b>B</b>	BOTTOM SHELF		1PC
<b>C</b>	LEG		4PCS

## Z HARDWARE PACKAGE

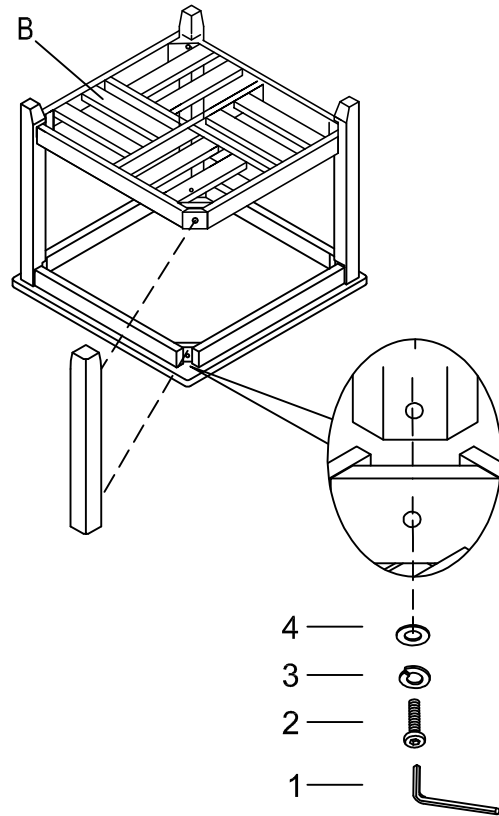
NO	DESCRIPTION	FIGURE	QTY
1	ALLEN WRENCH (4MM BLK)		1PC
2	ALLEN BOLT ( Ø1/4*2" BLK )		12PCS
3	LOCK WASHER (Ø1/4" BLK)		12PCS
4	FLAT WASHER (Ø1/4**19MM BLK)		12PCS

It needs two persons and takes about twenty minutes to assemble the item.

STEP 1:



STEP 2:



COMPLETED

