



ASSEMBLY INSTRUCTIONS COASTER FINE FURNITURE



Fine Furniture for every stage of life

650011
Glider & Ottoman

ITEM:650011



ASSEMBLY INSTRUCTION

ASSEMBLY TIPS:

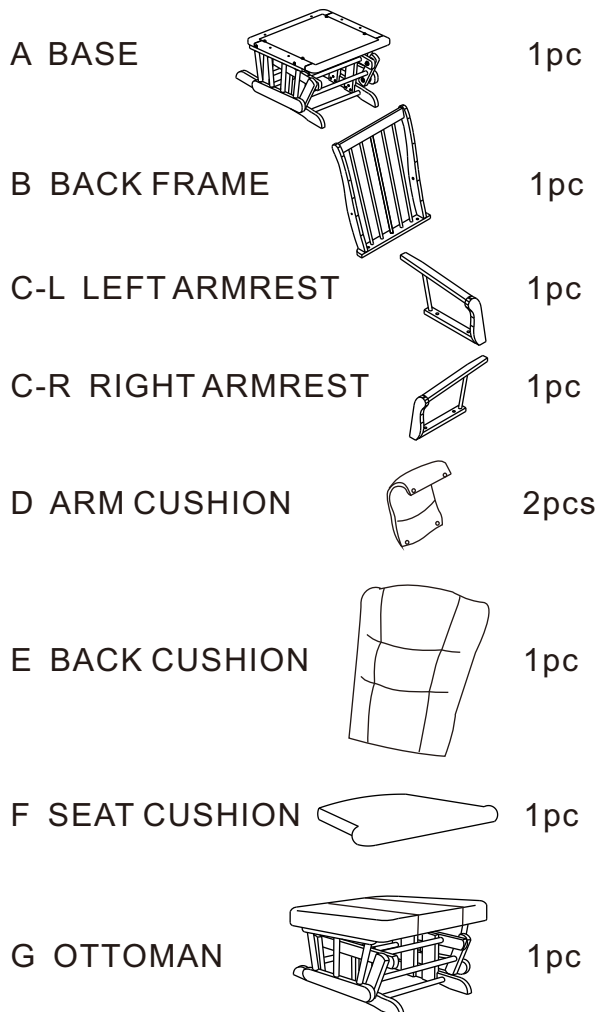
- 1.Remove hardware from box and sort by size.
- 2.Please check to see that all hardware and parts are present prior to start of assembly.
- 3.Please follow attached instruction in the same sequence as numbered to assure fast & easy assembly.

⚠ Warning !

- 1.Don't attempt to repair or modify parts that are broken or defective. Please contact the store immediately.
- 2.This product is for home use only and not intended for commercial establishment.

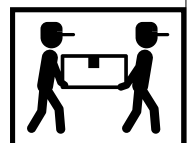
ASSEMBLY TIME PER UNIT: 20 MINUTES

PARTS IDENTIFICATION



Z HARDWARE PACKAGE:

NO.	DESCRIPTION	FIGURE	Q'TY
1	11*45 mm Bolts		2pcs
2	11*38 mm Bolts		6pcs
3	10.5*2 mm Spring washer		8pcs
4	10*12 mm Barrel nuts		2pcs
5	5*25*57 mm Allen key		1pc

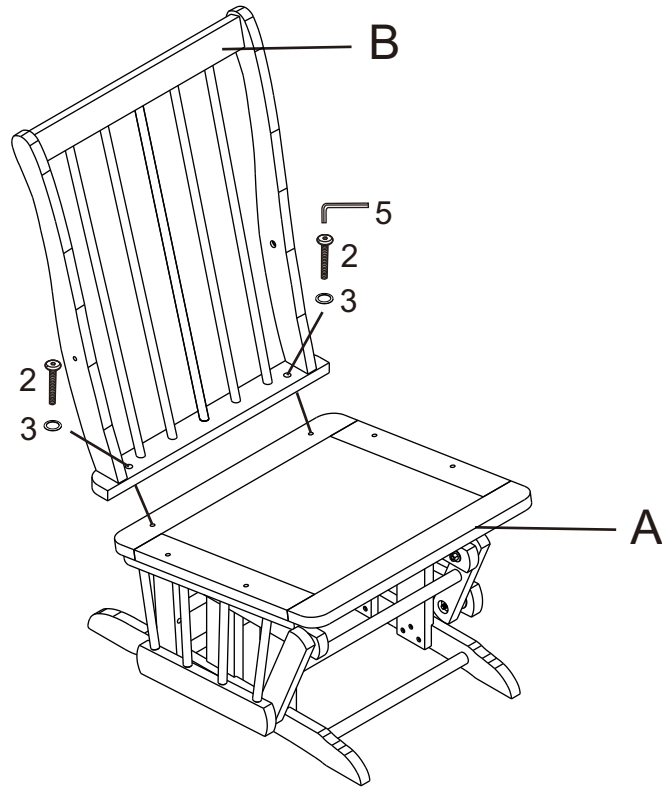


ITEM:650011

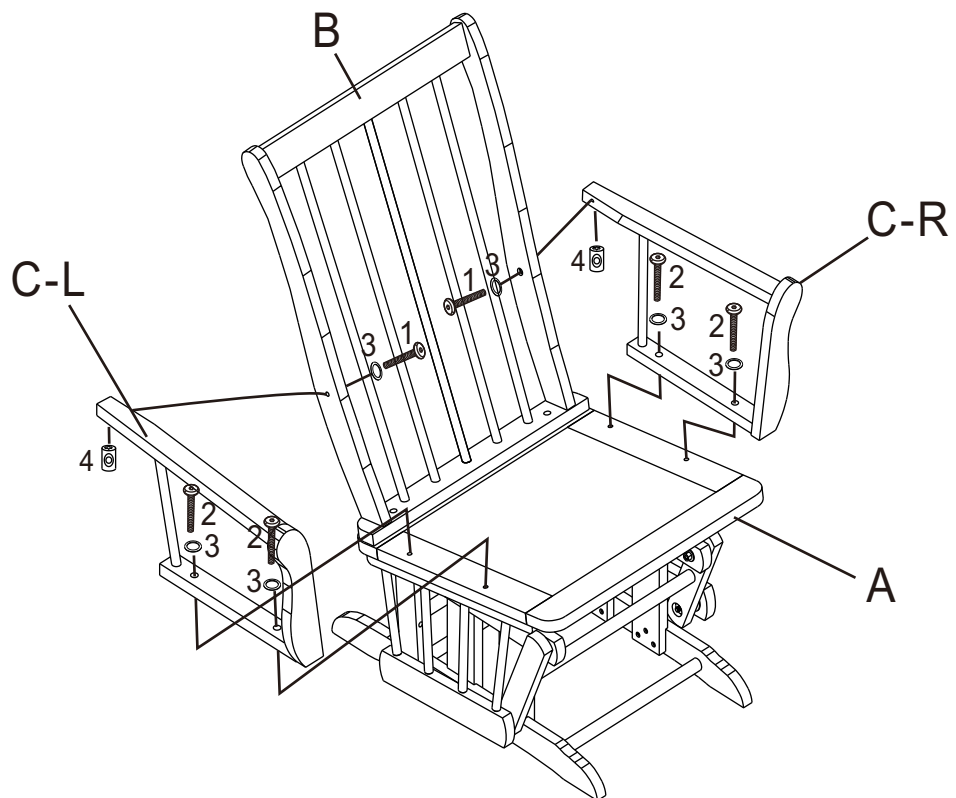


ASSEMBLY INSTRUCTION

STEP 1



STEP 2

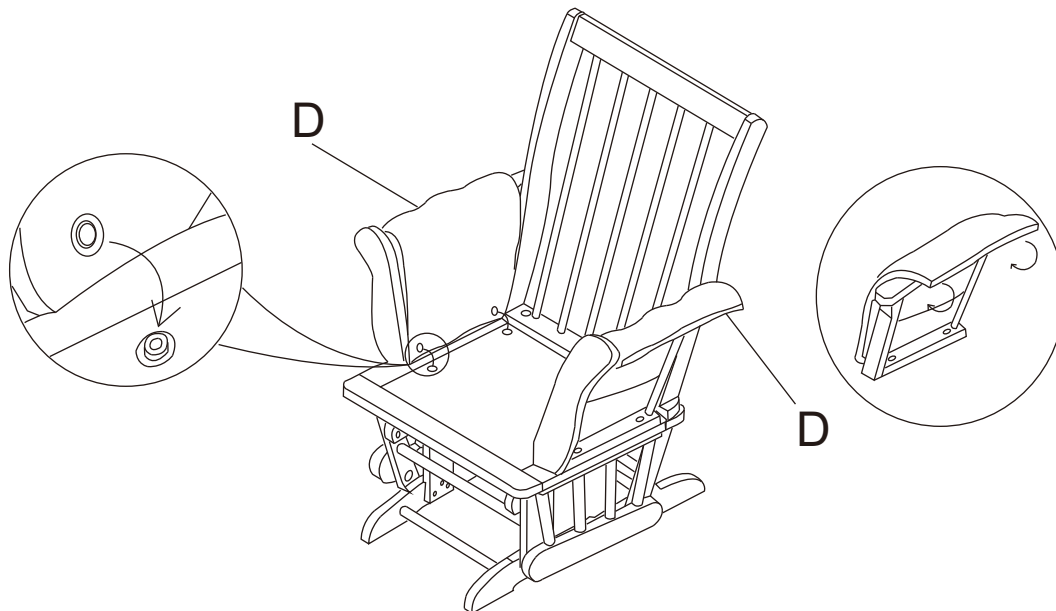


ITEM:650011

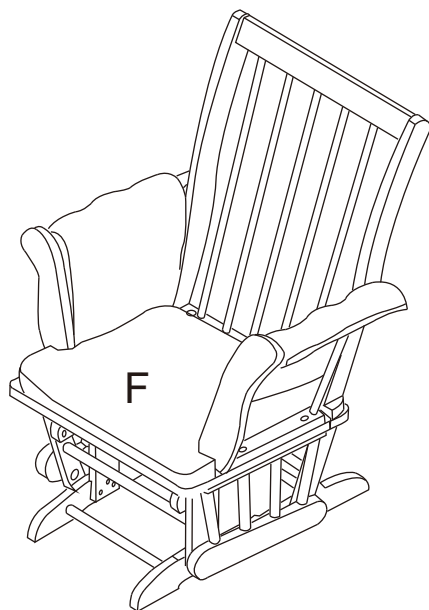


ASSEMBLY INSTRUCTION

STEP 3



STEP 4



STEP 5

