

**COASTER**<sup>®</sup>  
FINE FURNITURE

**222721KE (B1 & B2)**

**EASTERN KING BED**

---

**ASSEMBLY INSTRUCTIONS  
COASTER FINE FURNITURE**



**[www.coastercompany.com](http://www.coastercompany.com)**

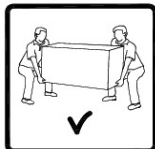
### ASSEMBLY TIPS:

1. Remove hardware from box and sort by size.
2. Please check to see that all hardware and parts are present prior to start of assembly.
3. Please follow attached instructions in the same sequence as numbered to assure fast & easy assembly.



#### Warning!

1. Don't attempt to repair or modify parts that are broken or defective. Please contact the store immediately.
2. This product is for home use only and not intended for commercial establishments.



**ASSEMBLY TIME**

**20 MINUTES**

## PARTS IDENTIFICATION

### B1 (BOX 1 )

	PART NAME	FIGURE	QTY
<b>A</b>	HEADBOARD PANEL		1PC
<b>B</b>	FOOTBOARD		1PC
<b>C</b>	RIGHT HEADBOARD LEG		1PC
<b>D</b>	LEFT HEADBOARD LEG		1PC
<b>E</b>	BED SLAT		4PCS
<b>F</b>	BED SLAT SUPPORT WITH LEVELER		8PCS

## HARDWARE IDENTIFICATION

### Z-B1 (BOX1)- HARDWARE PACK IS LOCATED IN 222721KE (B1)

	HARDWARE NAME	FIGURE	QTY
<b>1</b>	BOLT (M6 x 30mm - BLK)		6PCS
<b>2</b>	LOCK WASHER (1/4" - RBW)		6PCS
<b>3</b>	FLAT WASHER (1/4"ID x 13mm - BLK)		6PCS
<b>4</b>	SMALL ALLEN WRENCH (M4 x 65mm - BLK)		1PC
<b>5</b>	BIG ALLEN WRENCH (M5 x 65mm - BLK)		1PC
<b>6</b>	FLAT HEAD SCREW (M4 x 32mm - RBW)		8PCS

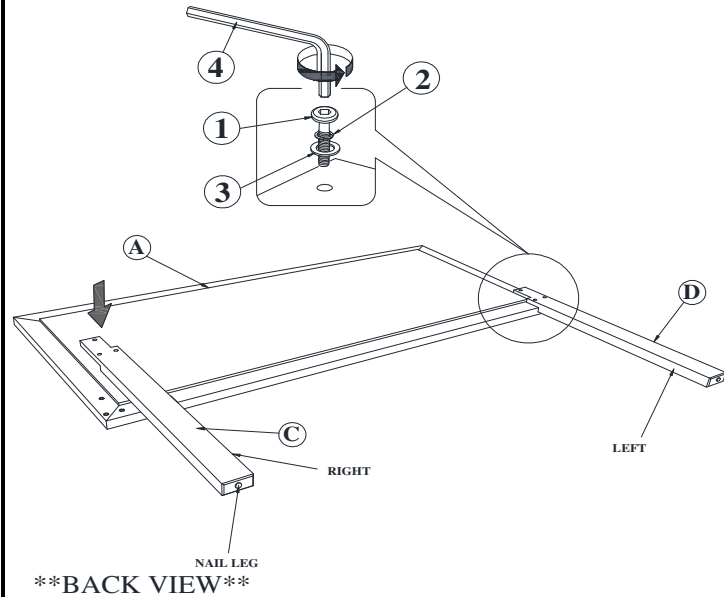
### B2 (BOX 2 )

<b>G</b>	BED RAIL		2 PCS
<b>HB</b>	222721KE (B1) FROM BOX 1 HEADBOARD COMPLETE		1 PC
<b>B</b>	222721KE (B1) FROM BOX 1 FOOTBOARD		1 PC

**NOTE : PHILLIPS HEAD SCREW DRIVER IS REQUIRED IN THE ASSEMBLY PROCESS; HOWEVER, MANUFACTURER DOES NOT PROVIDE THIS ITEM.**

**222721KE (B1) - BOX 1**

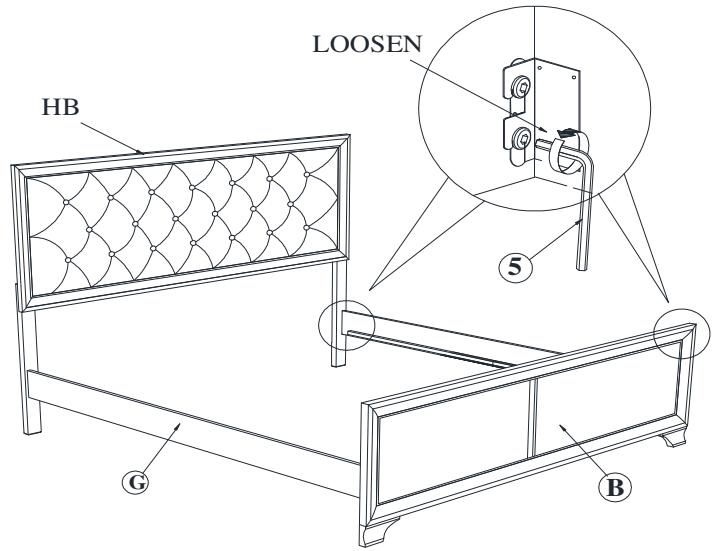
**STEP 1**



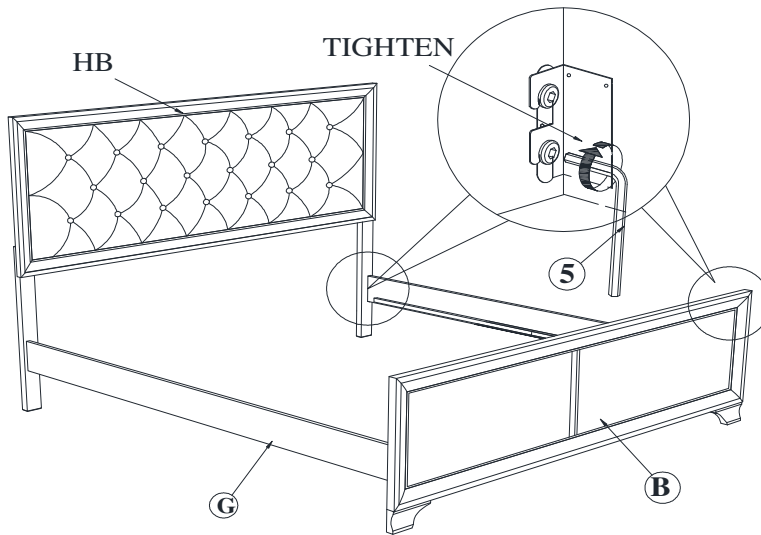
Note: Please take note of the marking sticker ( L & R ) on the headboard legs.

**222721KE (B1 & B2) - BOX 1 & BOX 2**

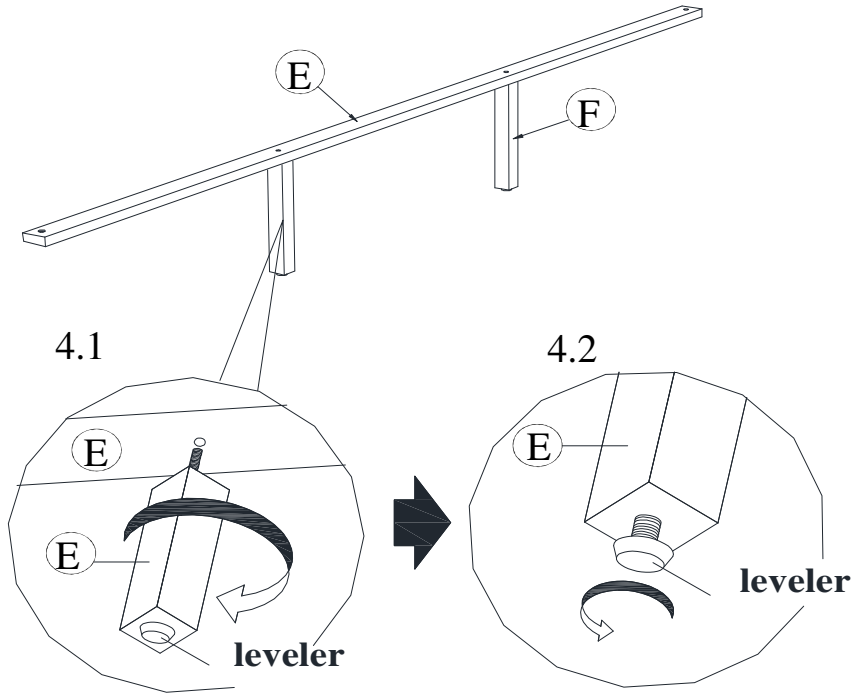
**STEP 2**



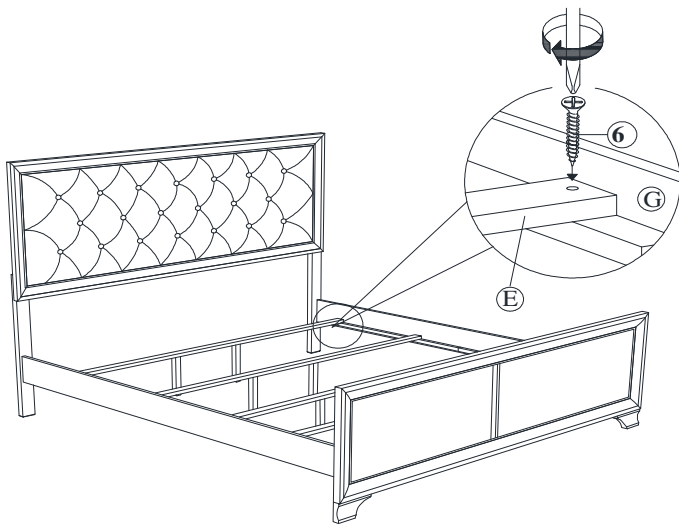
**STEP 3**



STEP 4



STEP 5



STEP 6  
COMPLETE

