

**ASSEMBLY INSTRUCTIONS
COASTER FINE FURNITURE**



www.coastercompany.com

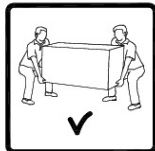
ASSEMBLY TIPS:

1. Remove hardware from box and sort by size.
2. Please check to see that all hardware and parts are present prior to start of assembly.
3. Please follow attached instructions in the same sequence as numbered to assure fast & easy assembly.



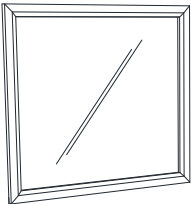

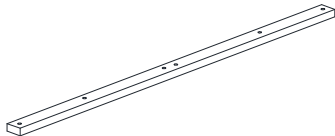
Warning!

1. Don't attempt to repair or modify parts that are broken or defective. Please contact the store immediately.
2. This product is for home use only and not intended for commercial establishments.

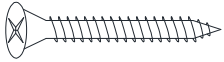


ASSEMBLY TIME	5 MINUTES
----------------------	------------------

PARTS IDENTIFICATION

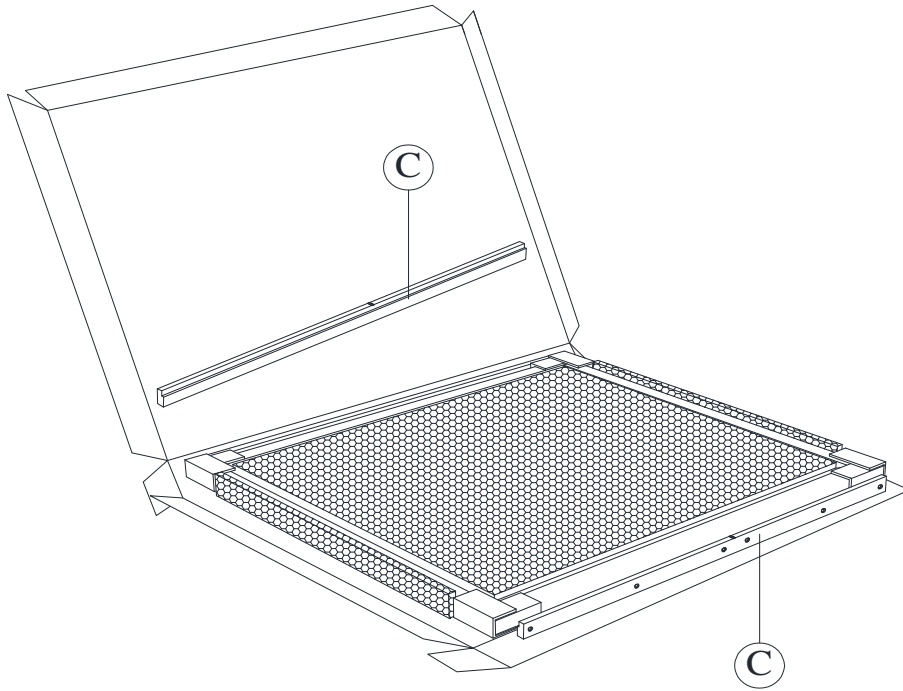
	PART NAME	FIGURE	QTY
A	MIRROR		1PC
B	DRESSER * FROM BOX ITEM #212423		1PC
C	MIRROR SUPPORT (PACKED WITH MIRROR)		2PCS

HARDWARE IDENTIFICATION

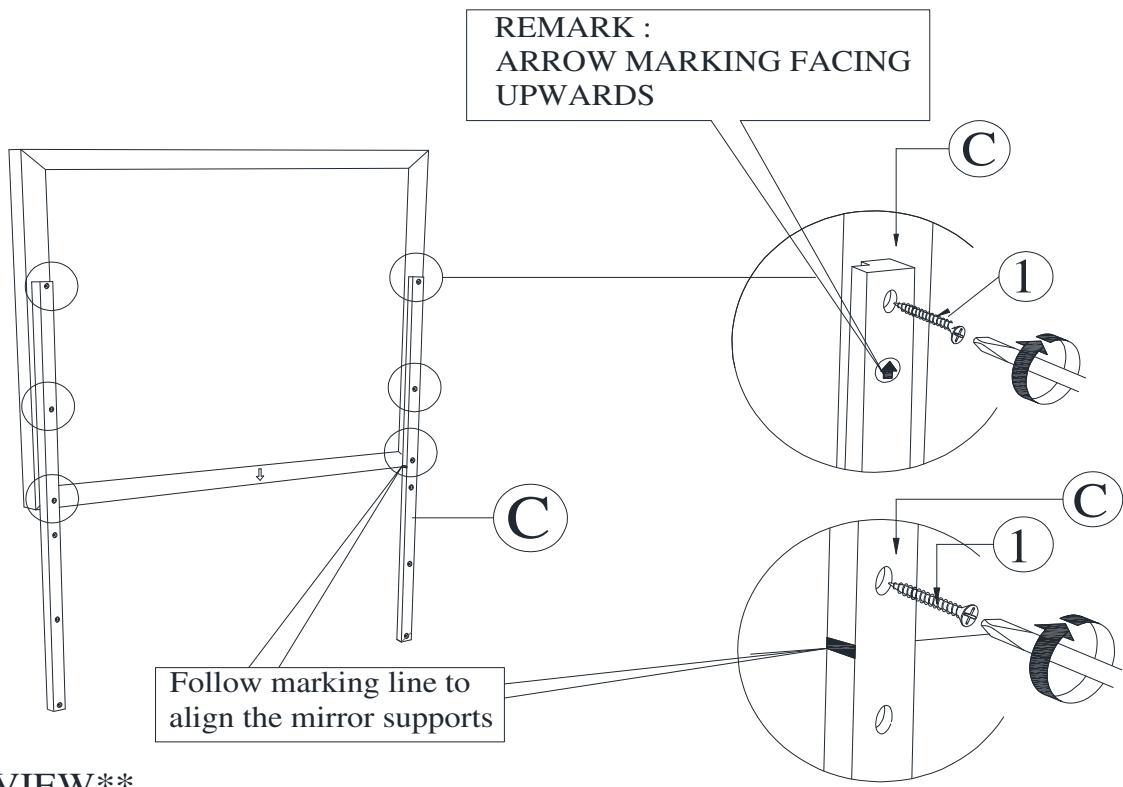
	HARDWARE NAME	FIGURE	QTY
1	FLAT HEAD SCREW (M4 x 32mm - RBW)		12PCS

**NOTE : PHILLIPS HEAD SCREW DRIVER IS REQUIRED IN THE ASSEMBLY PROCESS;
HOWEVER, MANUFACTURER DOES NOT PROVIDE THIS ITEM.**

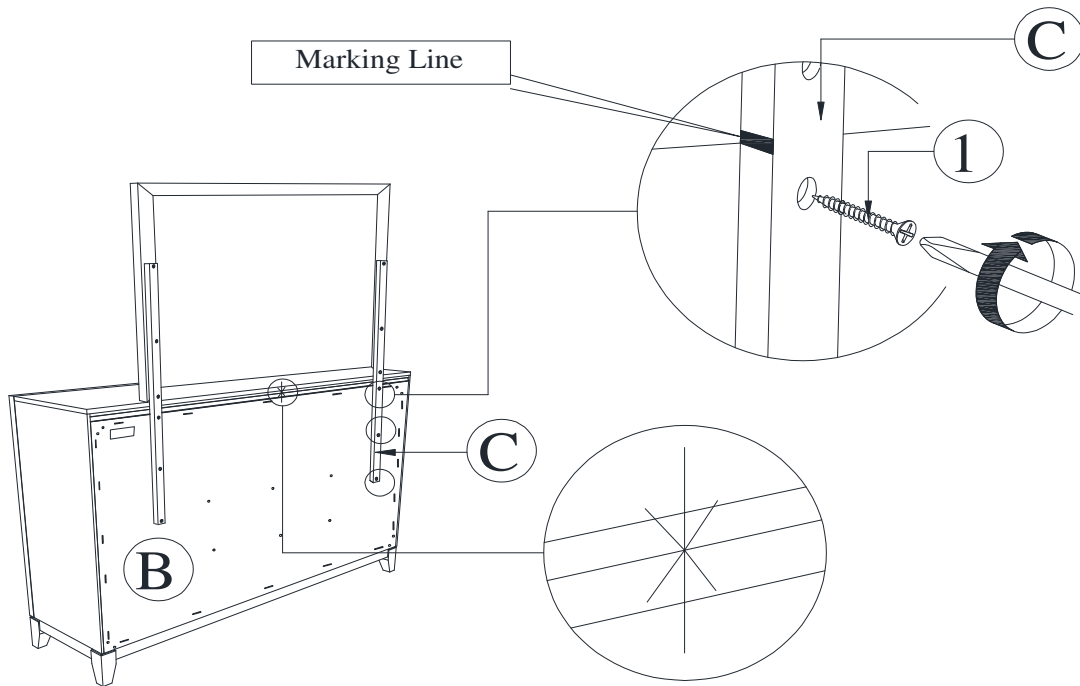
STEP 1



STEP 2



STEP 3



REMARK :
ARROW MARKING MUST BE ALIGNED

STEP 4
COMPLETE

