

ASSEMBLY INSTRUCTIONS

COASTER FINE FURNITURE



www.coastercompany.com

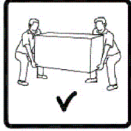
ASSEMBLY TIPS:

1. Remove hardware from box and sort by size.
2. Please check to see that all hardware and parts are present prior to start of assembly.
3. Please follow attached instruction in the same sequence as numbered to assure fast & easy assembly.



Warning!

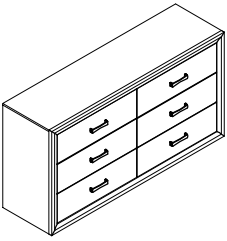
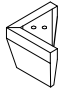
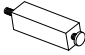
1. Don't attempt to repair or modify parts that are broken or defective. Please contact the store immediately.
2. This product is for home use only and not intended for commercial establishment.



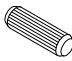




ASSEMBLY TIME

15 MINUTES

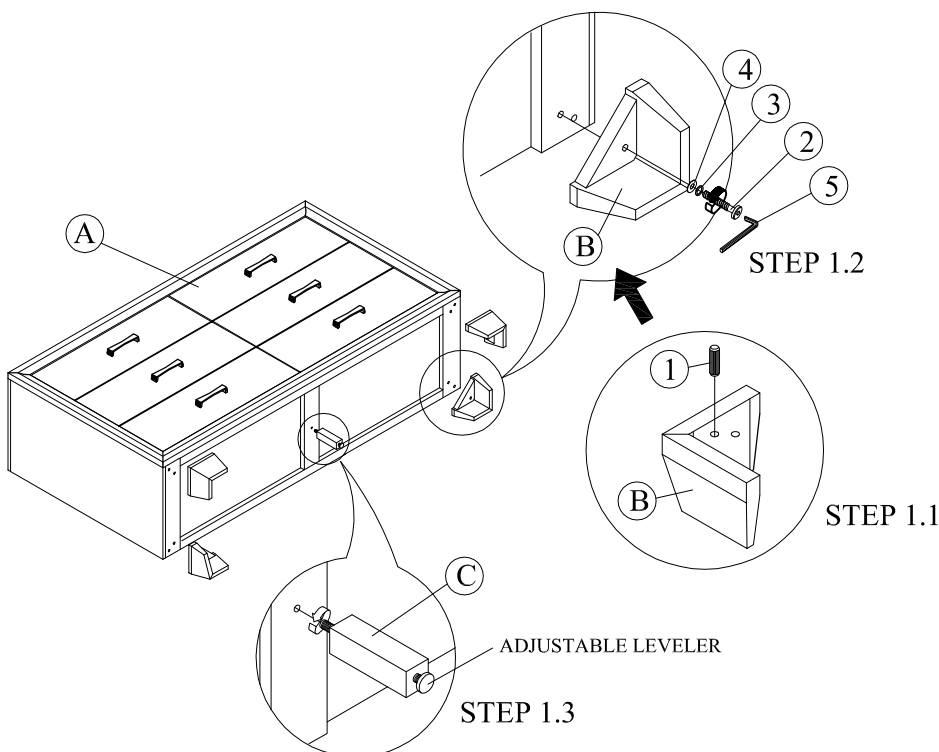
PARTS IDENTIFICATION

A		DRESSER	1PC
B		LEG	4PCS
C		CENTER SUPPORT LEG WITH LEVELER	1PC

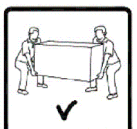
HARDWARE IDENTIFICATION

1		WOOD DOWEL	4PCS
2		BOLT	4PCS
3		LOCK WASHER	4PCS
4		FLAT WASHER	4PCS
5		ALLEN WRENCH	1PC

STEP 1

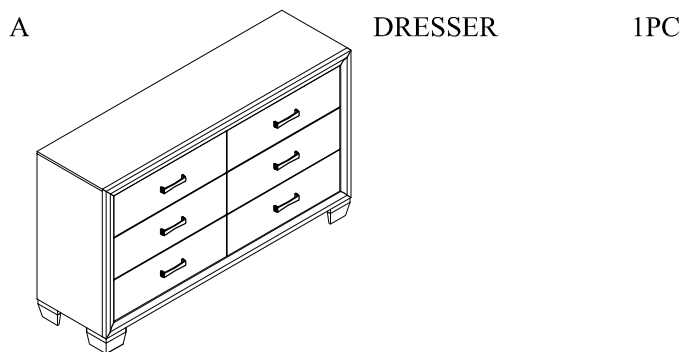


COMPLETE

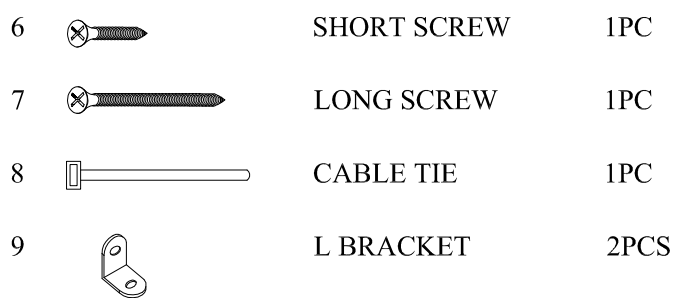


ANTI - TIPPING KIT

PARTS IDENTIFICATION



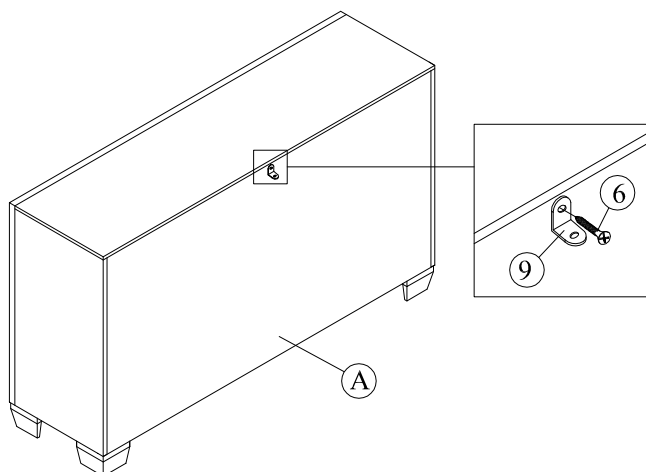
HARDWARE IDENTIFICATION



THIS TIP RESTRAINT MUST BE ATTACHED TO A WALL STUD USING LONG SCREW ENCLOSED.

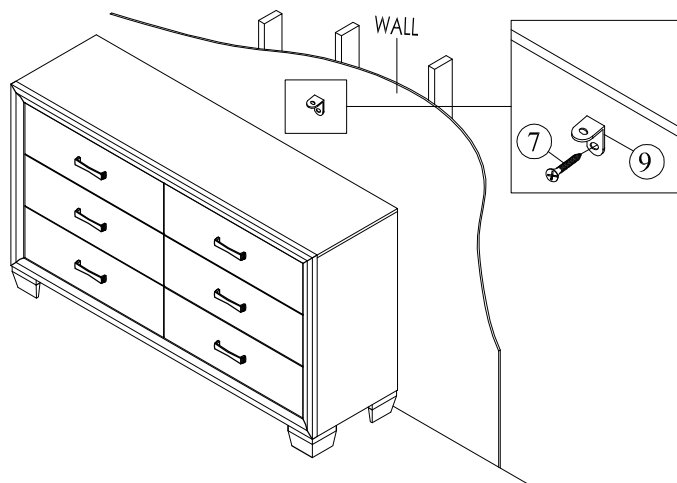
STEP 1

Attach a bracket securely to the back top rail of the dresser using short screw provided, through the smaller hole.



STEP 2

Locate the other bracket on the wall over a wall stud and two inches below the mounting bracket secured to the back of dresser. Attached to the wall stud using the long screw provided, through the smaller hole.



STEP 3

Place the dresser into position so both mounting brackets are vertically in line. Lace the end of the restraint strap through the larger hole in each mounting bracket. Bring both ends together and slide the flat end through the locking end and draw it through until all slack is removed. Confirm that the strap is securely laced and locked.

