

ASSEMBLY INSTRUCTIONS

COASTER FINE FURNITURE



www.coastercompany.com

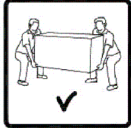
ASSEMBLY TIPS:

1. Remove hardware from box and sort by size.
2. Please check to see that all hardware and parts are present prior to start of assembly.
3. Please follow attached instruction in the same sequence as numbered to assure fast & easy assembly.



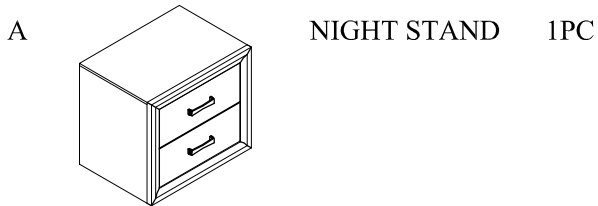
Warning!

1. Don't attempt to repair or modify parts that are broken or defective. Please contact the store immediately.
2. This product is for home use only and not intended for commercial establishment.



ASSEMBLY TIME 10 MINUTES

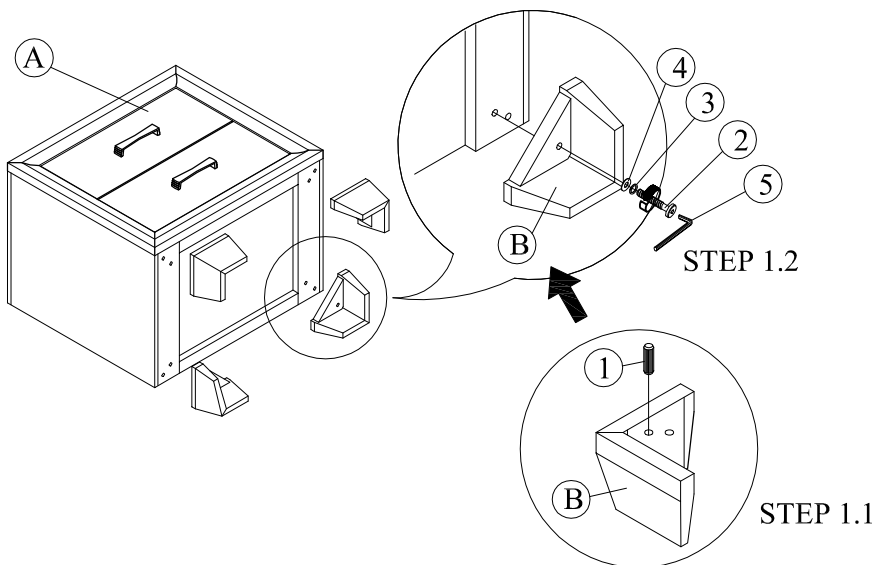
PARTS IDENTIFICATION



HARDWARE IDENTIFICATION

- | | | | |
|---|--|--------------|------|
| 1 | | WOOD DOWEL | 4PCS |
| 2 | | BOLT | 4PCS |
| 3 | | LOCK WASHER | 4PCS |
| 4 | | FLAT WASHER | 4PCS |
| 5 | | ALLEN WRENCH | 1PC |

STEP 1



COMPLETE

