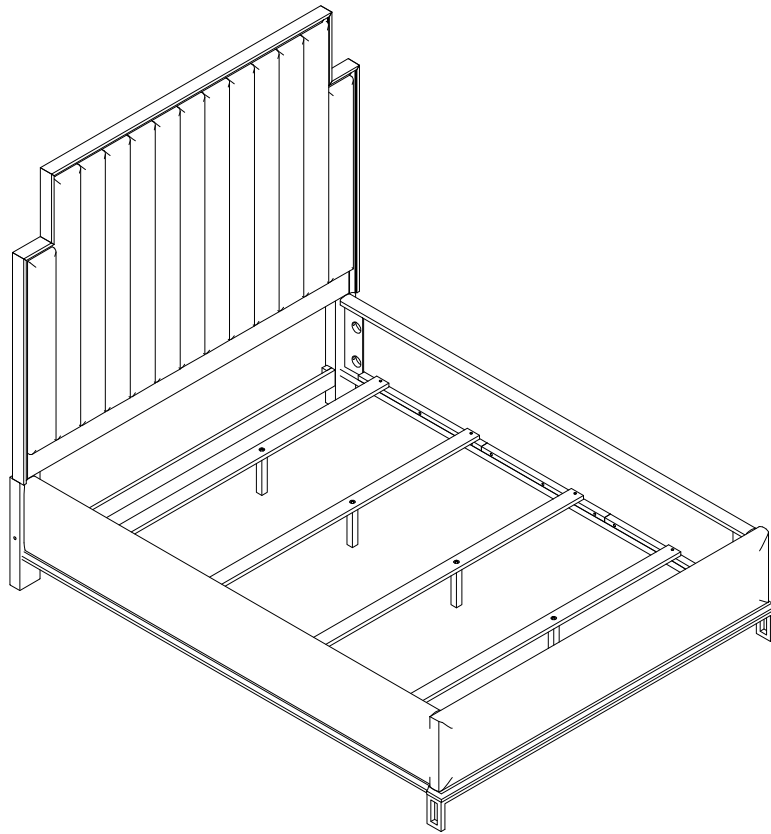


**ASSEMBLY INSTRUCTIONS**  
**COASTER FINE FURNITURE**



*Fine Furniture for every stage of life*

**222820Q (B1-B3)**  
**Queen Bed**

# ITEM: 22820Q (B1-B3)

## ASSEMBLY INSTRUCTIONS

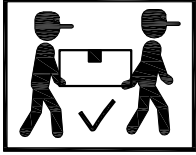
### ASSEMBLY TIPS:

1. Remove hardware from box and sort by size.
2. Please check to see that all hardware and parts are present prior to start of assembly.
3. Please follow attached instructions in the same sequence as numbered to assure fast & easy assembly.

### WARNING!



1. Don't attempt to repair or modify parts that are broken or defective. Please contact the store immediately.
2. This product is for home use only and not intended for commercial establishments.



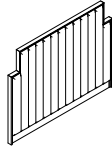
ASSEMBLY TIME

30 MINUTES

## PARTS IDENTIFICATION

### B1 (BOX 1)

A HEADBOARD PANEL



1PC

B LEFT HEADBOARD LEG



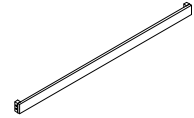
1PC

C RIGHT HEADBOARD LEG



1PC

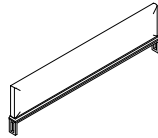
D HEADBOARD BOTTOM RAIL



1PC

### B2 (BOX 2)

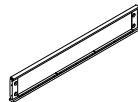
E FOOTBOARD



1PC

### B3 (BOX 3)

F LEFT BED RAIL



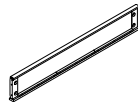
1PC

H BED SLAT



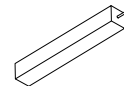
4PCS

G RIGHT BED RAIL



1PC

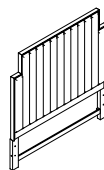
I BED SLAT SUPPORT WITH LEVELER



4PCS

HB

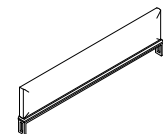
22820Q (B1)  
FROM BOX 1  
HEADBOARD  
COMPLETE



1PC

E

22820Q (B2)  
FROM BOX 2  
FOOTBOARD



1PC

# ITEM: 22820Q (B1-B3)

## ASSEMBLY INSTRUCTIONS

### ASSEMBLY TIPS:

1. Remove hardware from box and sort by size.
2. Please check to see that all hardware and parts are present prior to start of assembly.
3. Please follow attached instructions in the same sequence as numbered to assure fast & easy assembly.

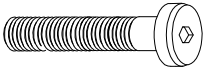





### WARNING!

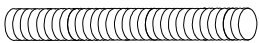
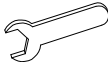



1. Don't attempt to repair or modify parts that are broken or defective. Please contact the store immediately.
2. This product is for home use only and not intended for commercial establishments.

## HARDWARE IDENTIFICATION

### Z-B1 (BOX 1) - HARDWARE PACK IS LOCATED IN 22820Q (B1)

1	<b>BOLT</b> (5/16" x 35mm - BLK)		10PCS	3	<b>FLAT WASHER</b> (5/16" x 19 x 1.5mm - BLK)		10PCS
2	<b>LOCK WASHER</b> (5/16" - BLK)		10PCS	4	<b>ALLEN WRENCH</b> (4MM - BLK)		1PC

### Z-B3 (BOX 3) - HARDWARE PACK IS LOCATED IN 22820Q (B3)

5	<b>THREADED BOLT</b> (5/16" x 75mm - RBW)		8PCS	8	<b>WRENCH</b> (13MM - RBW)		1PC
6	<b>U-SQUARE WASHER</b> (25 x 15 x 2mm - RBW)		8PCS	9	<b>FLAT HEAD SCREW</b> (4 x 32mm - RBW)		8PCS
7	<b>HEX NUT</b> (5/16" x 17mm - RBW)		8PCS				

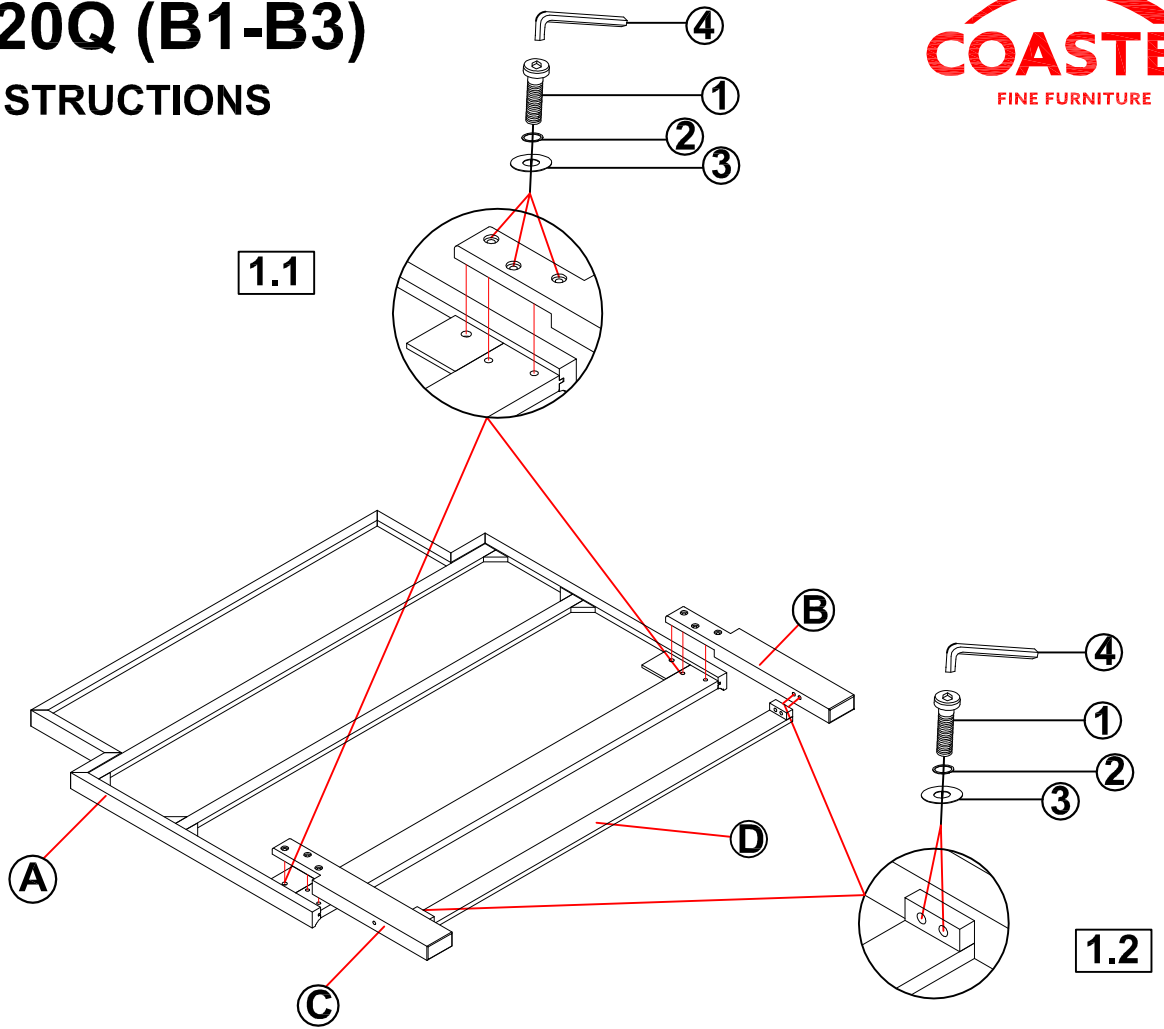
**NOTE:**  
Phillips head screw driver is required in the assembly process; however, manufacturer does not provide this item.

# ITEM: 222820Q (B1-B3)

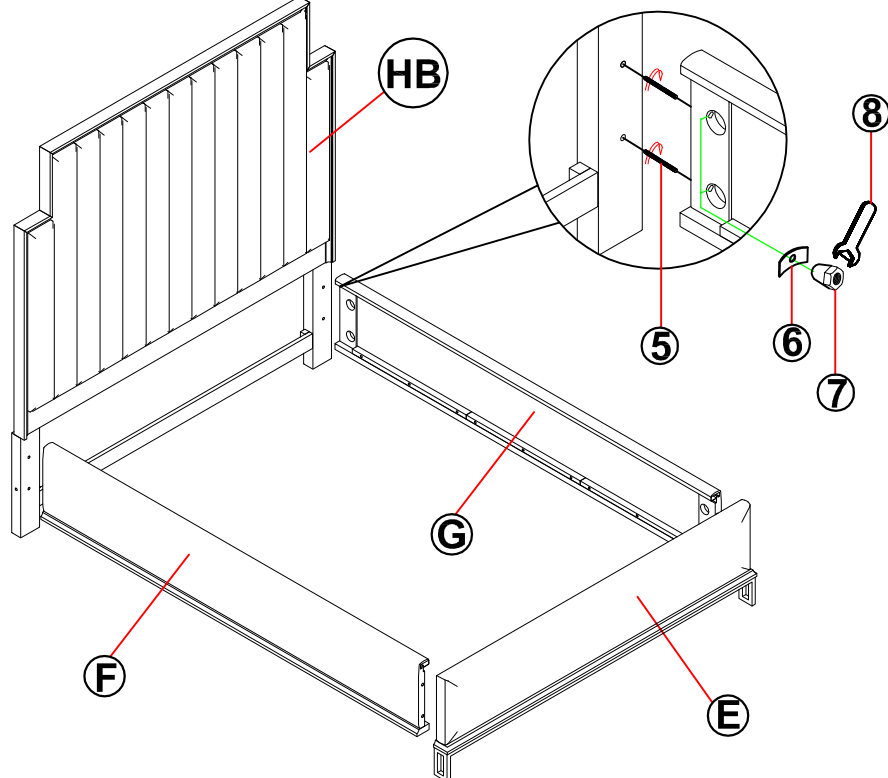
## ASSEMBLY INSTRUCTIONS



### STEP 1



### STEP 2

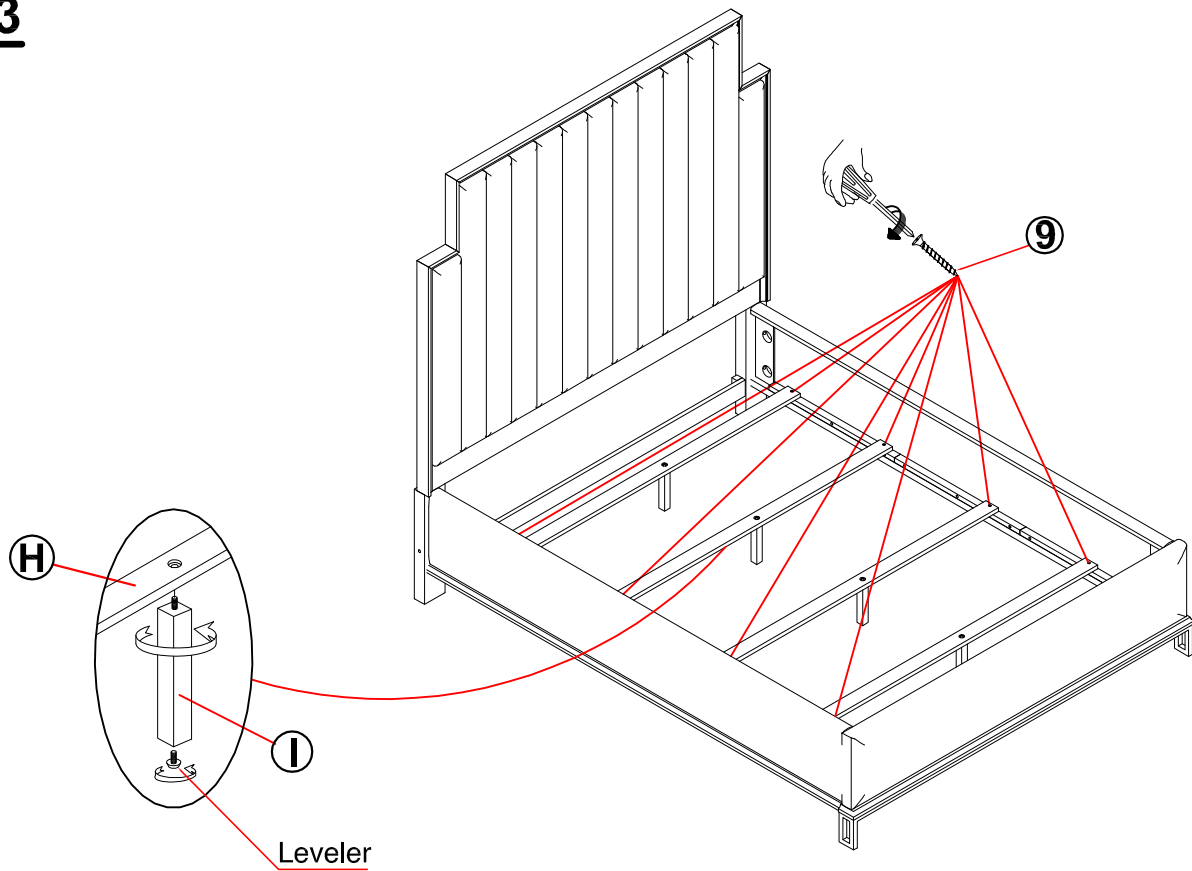


# ITEM: 222820Q (B1-B3)

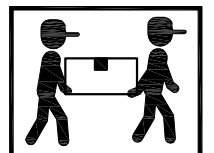
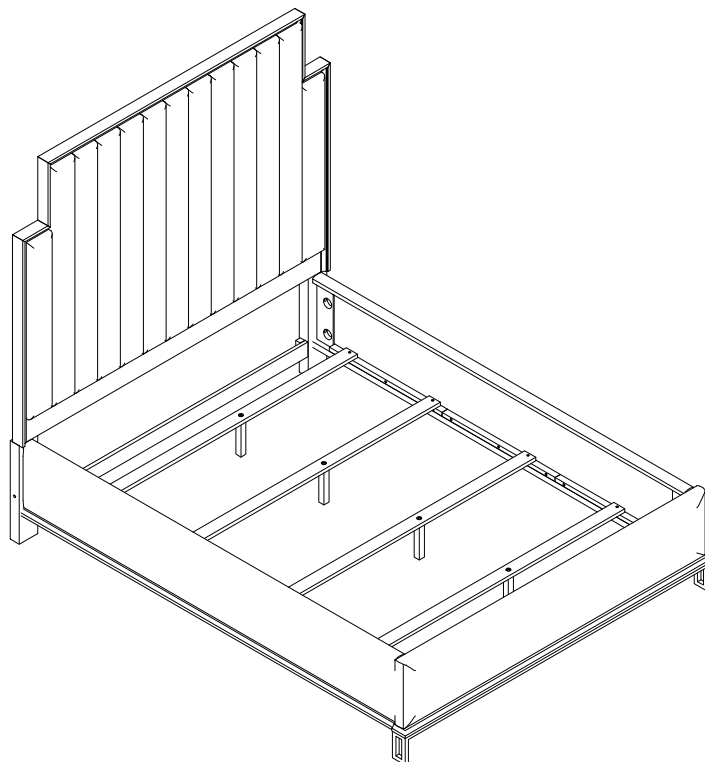
## ASSEMBLY INSTRUCTIONS



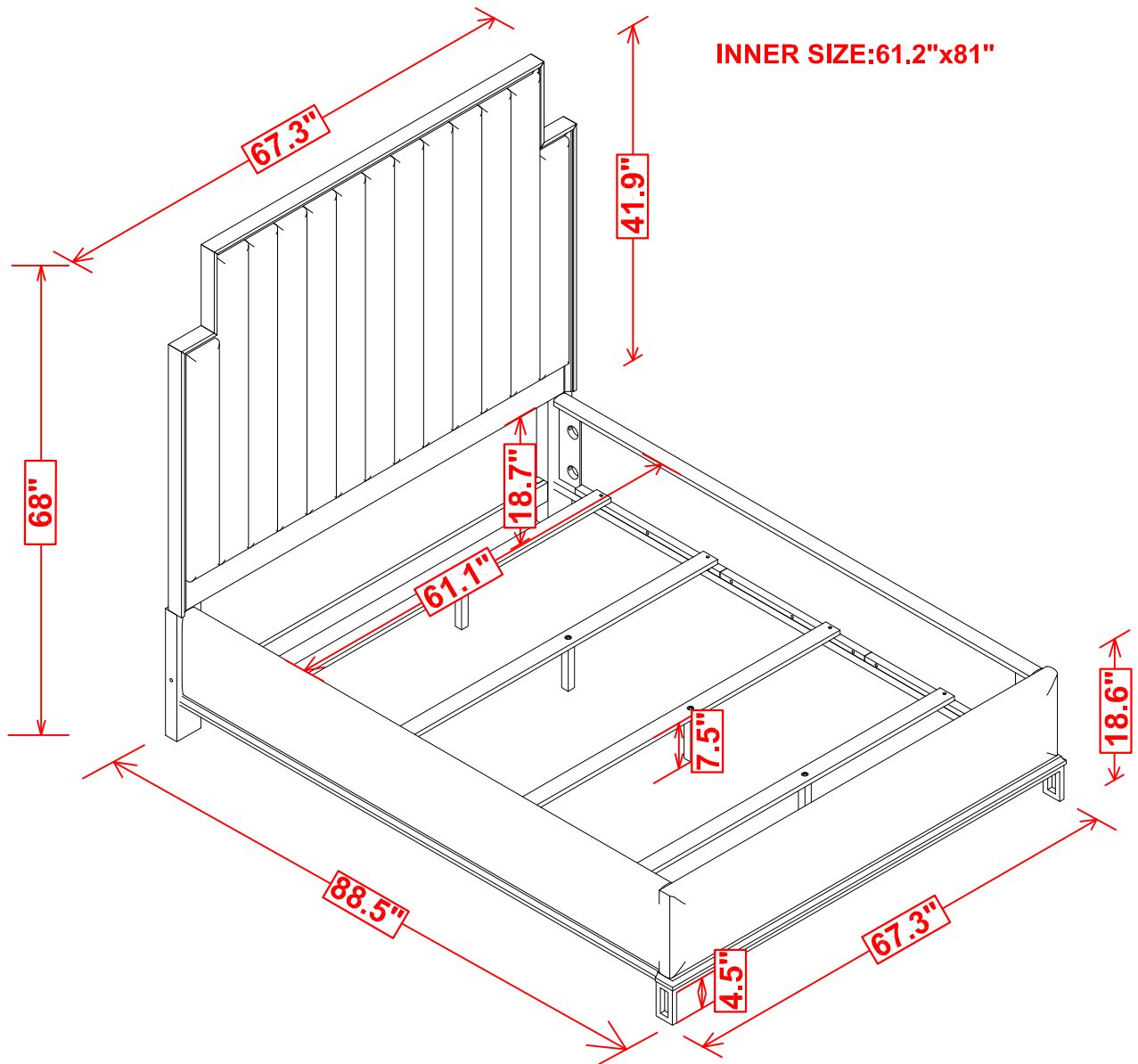
### STEP 3



### STEP 4 COMPLETE



ITEM:222820Q (B1-B3)



**Note :** Dimension tolerance  $\pm 5\%$