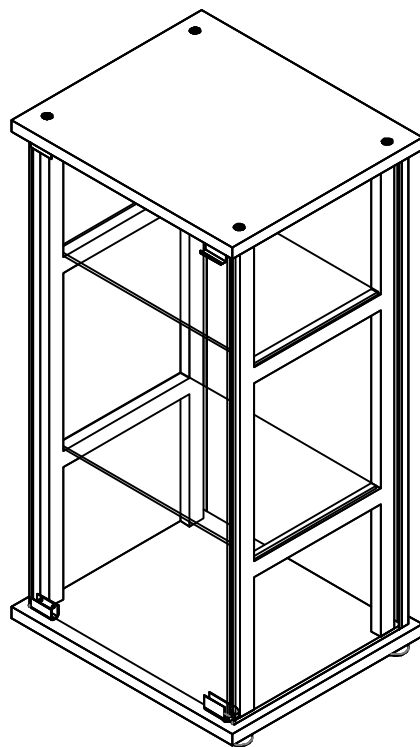


ASSEMBLY INSTRUCTIONS
COASTER FINE FURNITURE



Fine Furniture for every stage of life

950179
CURIO CABINET

REVISION 0 : 03/15/2018
REVISION 1 : 09/10/2019

ITEM:950179



ASSEMBLY INSTRUCTIONS

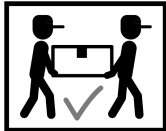
ASSEMBLY TIPS:

1. Remove hardware from box and sort by size.
2. Please check to see that all hardware and parts are present prior to start of assembly.
3. Please follow attached instructions in the same sequence as numbered to assure fast & easy assembly.



WARNING!

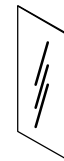
1. Don't attempt to repair or modify parts that are broken or defective. Please contact the store immediately.
2. This product is for home use only and not intended for commercial establishments.



ASSEMBLY TIME 50 MINUTES

PARTS IDENTIFICATION

A DOOR GLASS
790x381mm



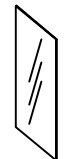
1PC

B SIDE GLASS
810x345mm



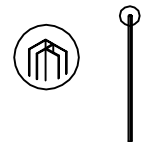
2PCS

C BACK GLASS
810x386mm



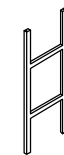
1PC

D PLASTIC BAR



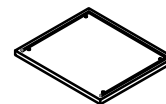
2PCS

E INNER SHELF SUPPORT



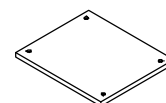
2PCS

F TOP WOOD PANEL



1PC

G BOTTOM WOOD PANEL



1PC

ITEM:950179

ASSEMBLY INSTRUCTIONS

PARTS IDENTIFICATION



H GLASS SHELF
382x250mm



2PCS

HARDWARE IDENTIFICATION

1 PLASTIC FEET
(ϕ 44 x 18mm)  4PCS

2 BOLT-LARGE
(1/4" x 1-3/4")  8PCS

3 WASHER
(1/4" x 16mm)  8PCS

4 HINGE
(40mm)  2PCS


5 HINGE INSERT
(ϕ 12 x 9mm)  2PCS

6 METAL CONTACT
(38mm)  2PCS

7 BOLT-SMALL
(ϕ 7 x 6mm)  4PCS

8 PLASTIC MAGNET
(19mm)  2PCS

9 HANDLE
(40mm)  1PC

10 METAL CONTACT
(40mm)  1PC

11 TWIN ADHESIVE
(38 x 42mm)  2PCS

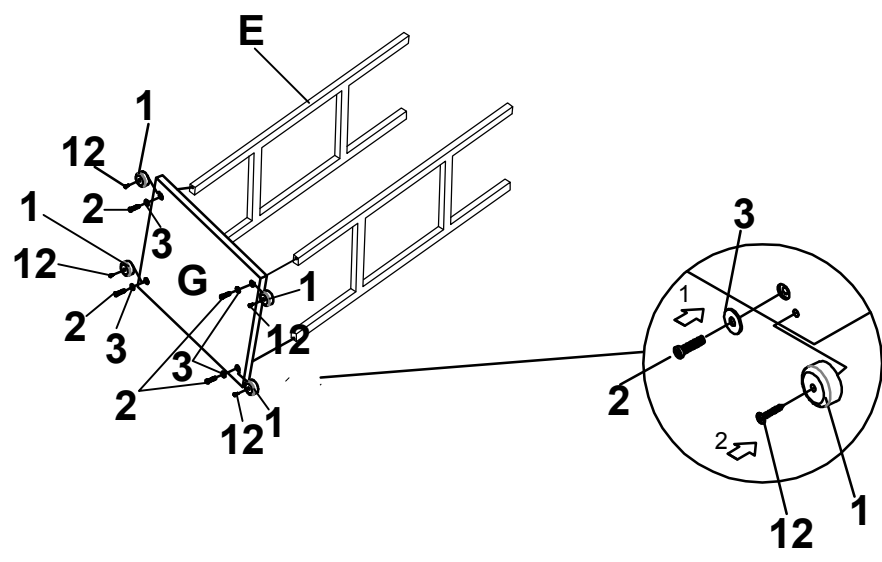
12 SCREW
(ϕ 8 x 22mm)  4PCS

13 SUCTION CUP
(ϕ 12mm)  8PCS

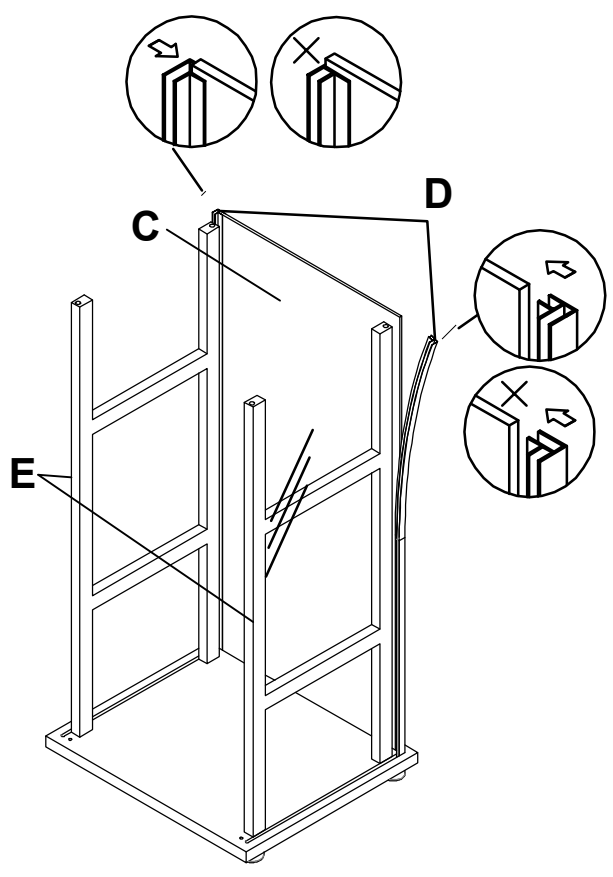
14 ALLEN KEY
(4mm)  1PC

15 STICKER
(ϕ 20mm)  4PCS

ITEM: 950179
ASSEMBLY INSTRUCTIONS
STEP 1



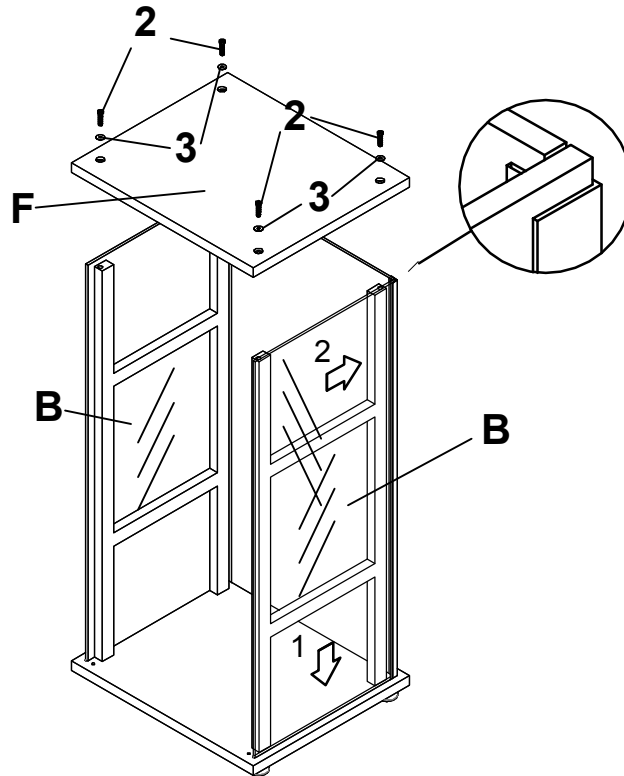
STEP 2



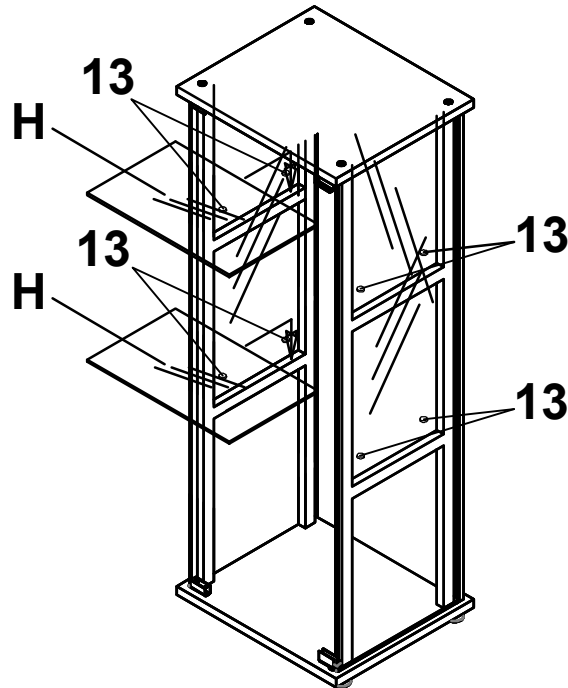
ITEM: 950179

ASSEMBLY INSTRUCTIONS

STEP 3



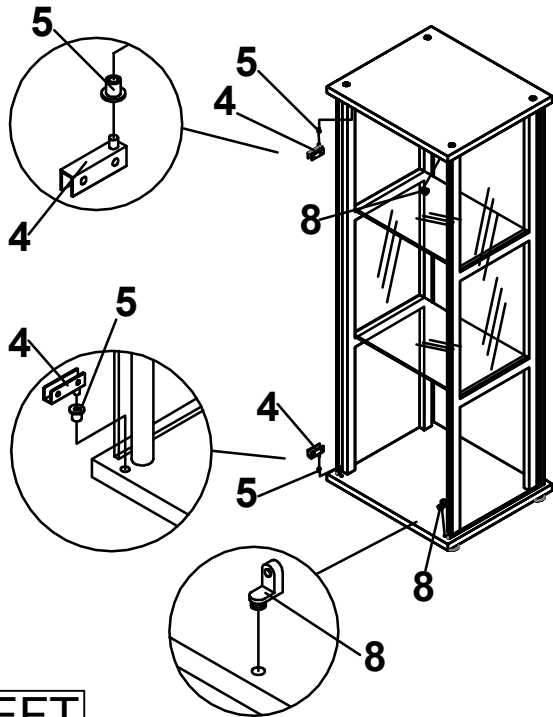
STEP 4



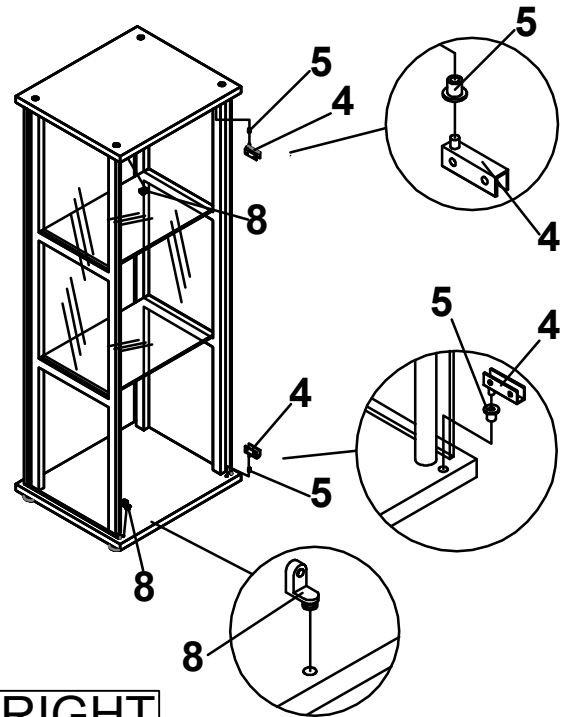
ITEM: 950179

ASSEMBLY INSTRUCTIONS

STEP 5

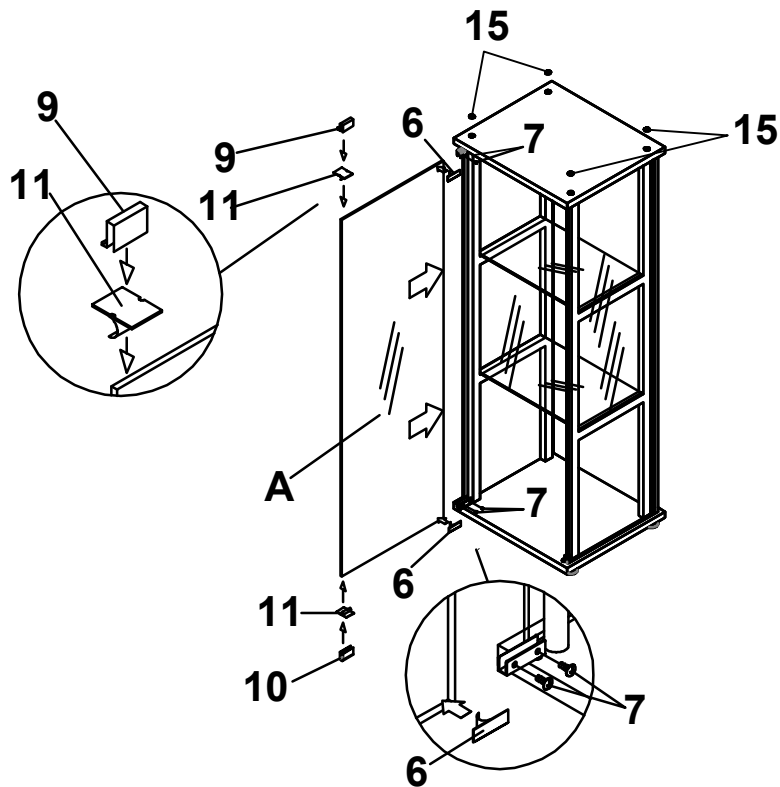


LEFT



RIGHT

STEP 6

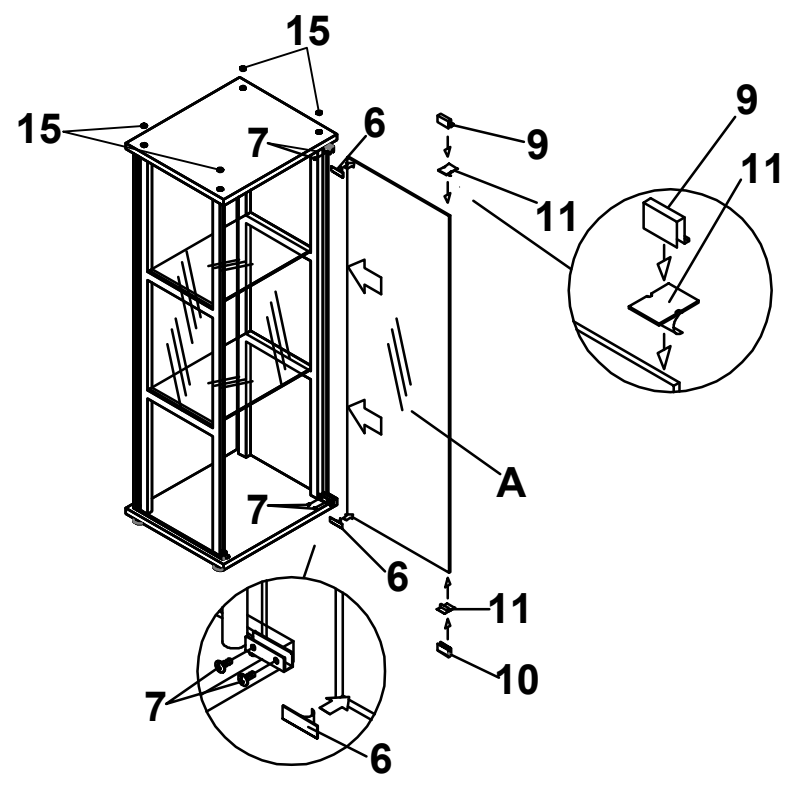


LEFT

ITEM: 950179
ASSEMBLY INSTRUCTIONS

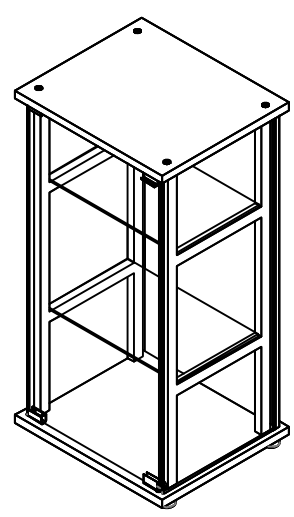


STEP 6

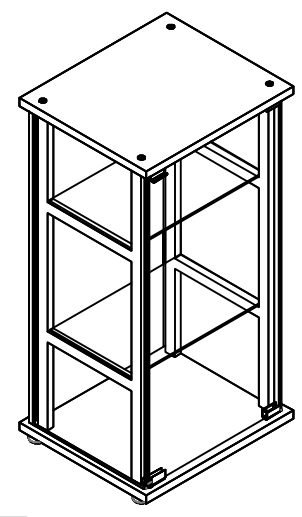


RIGHT

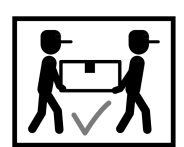
STEP 7
COMPLETE



LEFT

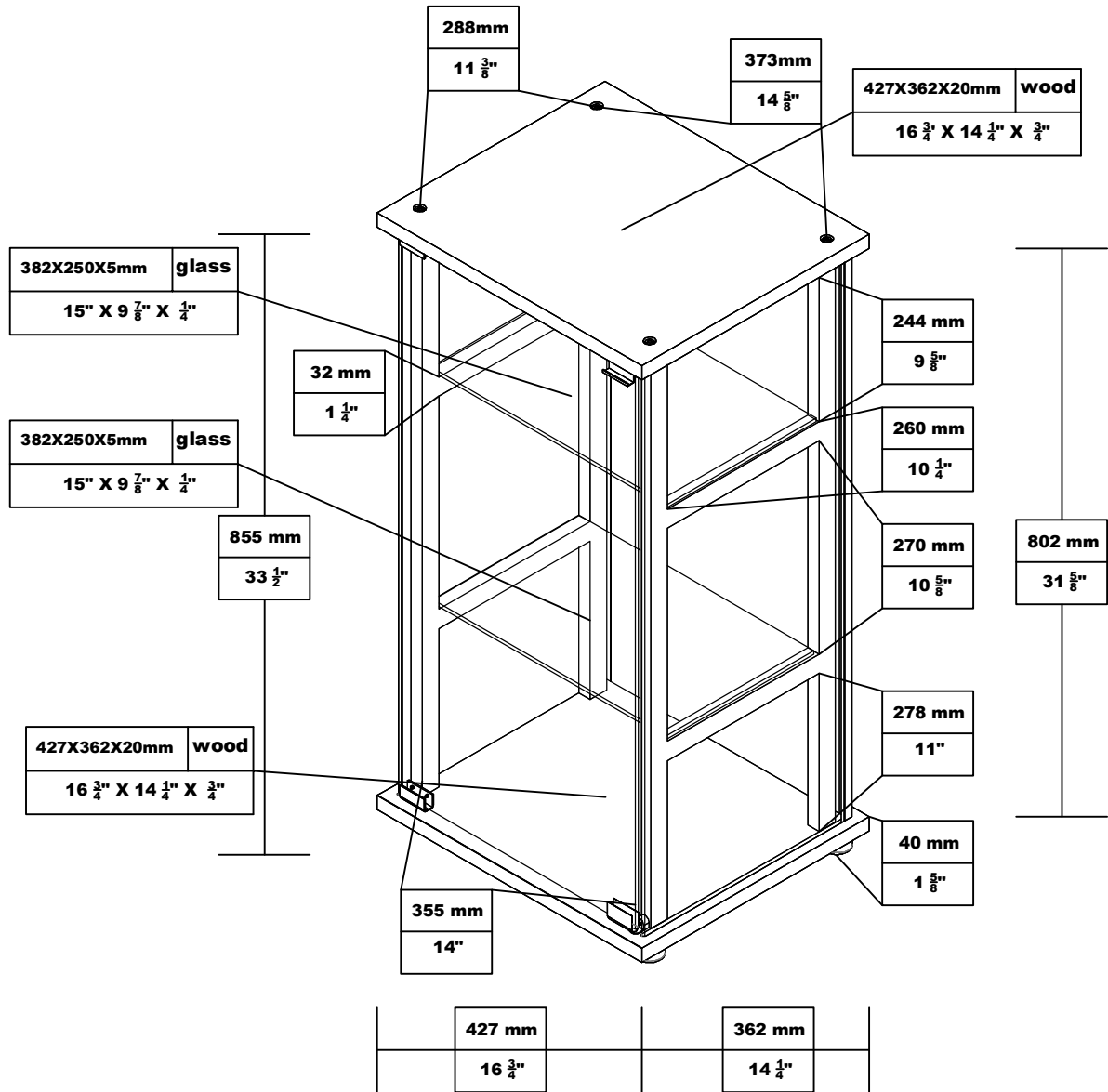


RIGHT



ITEM: 950179 ASSEMBLY INSTRUCTIONS

Product Size : 427 X 362 X 855 H (MM)
Product Size : 16 ³/₄" X 14 ¹/₄" X 33 ¹/₂"



ITEM: **950179**



ANTI-TIPPING INSTALLMENT INSTRUCTIONS

FURNITURE TIPPING RESTRAINT

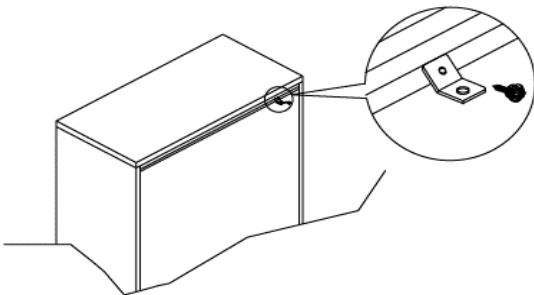
WARNING

Injury may result from tipping furniture.
This restraint may protect against tipping furniture.
Do not allow children to climb on furniture.
This restraint is not a substitute for proper adult supervision.
Failure to detach this restraint before moving the furniture may result in injury and damage.

This tip restraint must be attached to a wall stud using long screw enclosed.

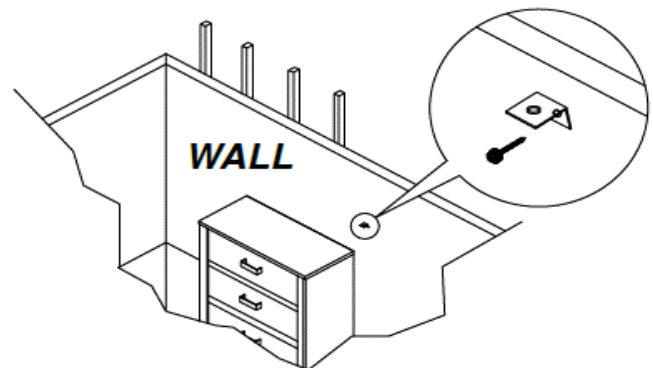
STEP 1

Attach a bracket securely to the back top rail of the furniture using short screw provided, through the smaller hole.



STEP 2

Locate the other bracket on the wall over a plastic wall stud and two inches below the mounting bracket secured to the back of the furniture. Attach the wall stud using the long screw provided, through the smaller hole.



STEP 3

Place the furniture into position so both mounting brackets are vertically in line. Lace the end of the restraint strap through the larger hole in each mounting bracket. Bring both ends together and slide the flat end through the locking end and draw it through until all slack is removed. Confirm that the strap is securely laced and locked.

