

ASSEMBLY INSTRUCTIONS
COASTER FINE FURNITURE



Fine Furniture for every stage of life

800657
BOOKCASE

REVISION 0 : 10/13/2017
REVISION 1 : 08/02/2019

ITEM: 800657



ASSEMBLY INSTRUCTIONS

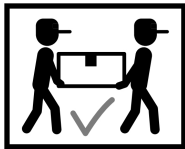
ASSEMBLY TIPS:

1. Remove hardware from box and sort by size.
2. Please check to see that all hardware and parts are present prior to start of assembly.
3. Please follow attached instructions in the same sequence as numbered to assure fast & easy assembly.



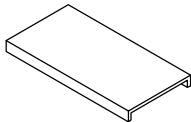
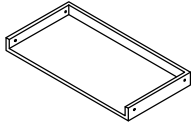

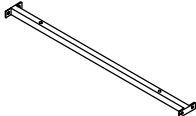
WARNING!

1. Don't attempt to repair or modify parts that are broken or defective. Please contact the store immediately.
2. This product is for home use only and not intended for commercial establishments.






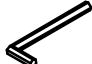


ASSEMBLY TIME 40 MINUTES

PARTS IDENTIFICATION

A	TOP PANEL		1PC
B	SHELF		4PCS
C	SIDE FRAME		2PCS
D	CROSSBAR		2PCS

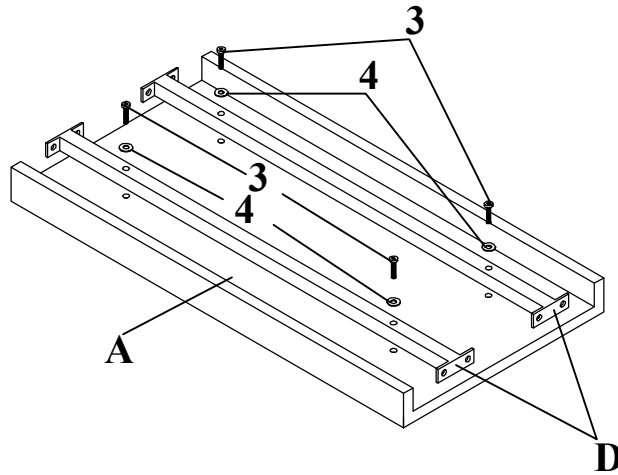
HARDWARE IDENTIFICATION

1	SHORT BOLT (1/4" x 10mm BLK)		8PCS	4	WASHER (ϕ 16mm BLK)		4PCS
2	MEDIUM BOLT (1/4" x 18mm BLK)		16PCS	5	CAP (10 x 50mm BLK)		4PCS
3	LONG BOLT (1/4" x 28mm BLK)		4PCS	6	ALLEN WRENCH (4mm)		1PC

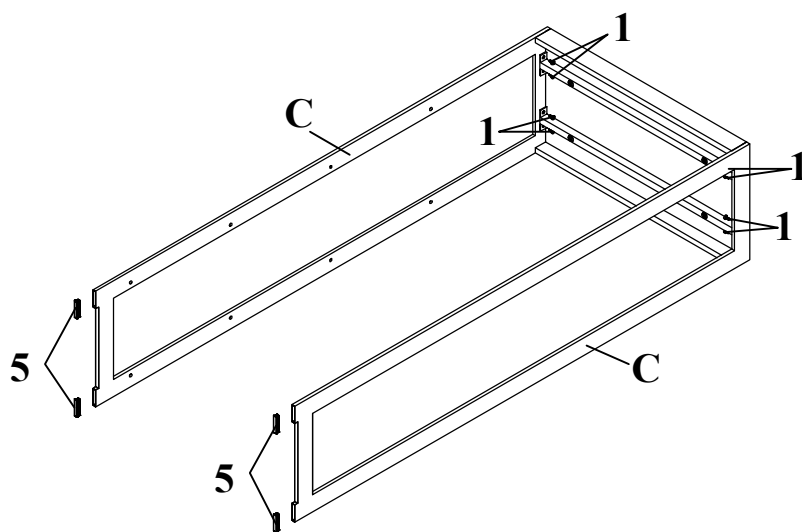
ITEM: 800657
ASSEMBLY INSTRUCTIONS



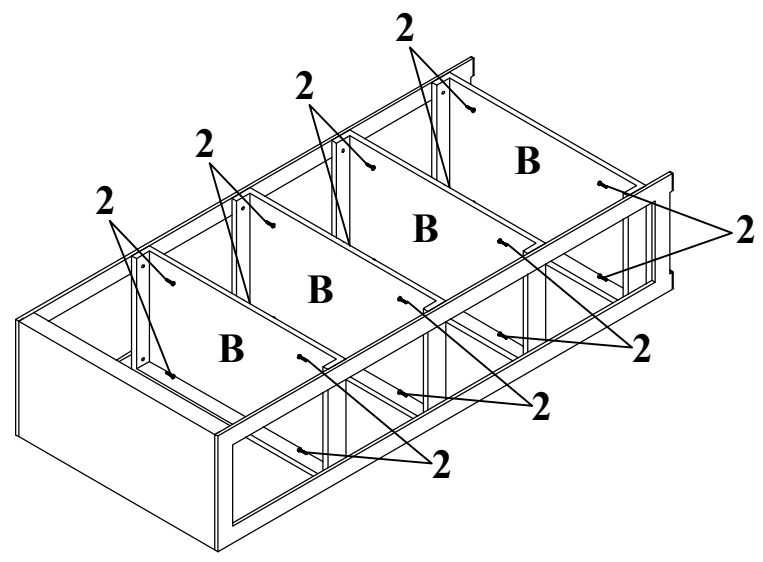
STEP 1 Do not tighten until each step is completed or instructed.



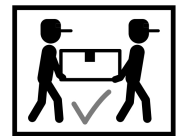
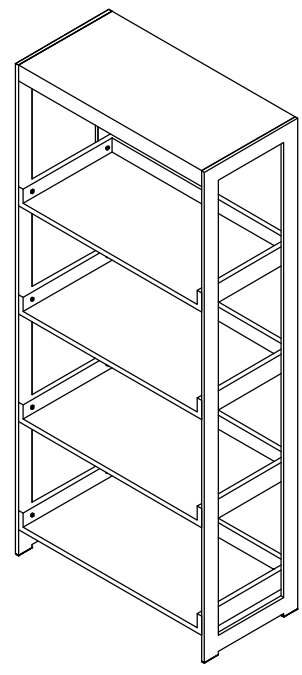
STEP 2



ITEM: 800657
ASSEMBLY INSTRUCTIONS
STEP 3



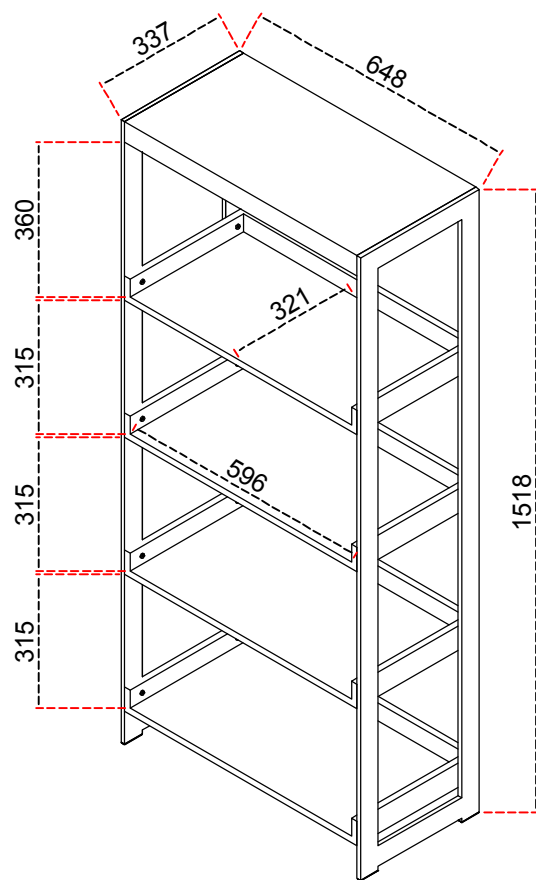
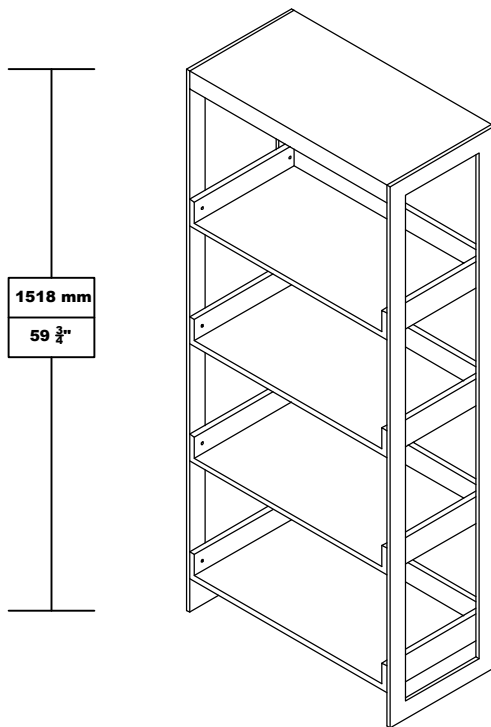
STEP 4
COMPLETE



ITEM: 800657 ASSEMBLY INSTRUCTIONS



Product Size : 648 X 337 X 1518 H (MM)
Product Size : 25 ½" X 13 ¼" X 59 ¾"



648 mm	337 mm
25 ½"	13 ¼"

ITEM: **800657**



ANTI-TIPPING INSTALLMENT INSTRUCTIONS

FURNITURE TIPPING RESTRAINT

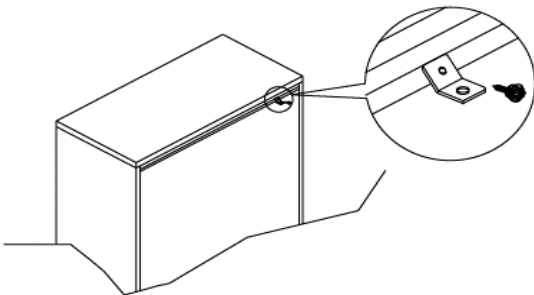
WARNING

Injury may result from tipping furniture.
This restraint may protect against tipping furniture.
Do not allow children to climb on furniture.
This restraint is not a substitute for proper adult supervision.
Failure to detach this restraint before moving the furniture may result in injury and damage.

This tip restraint must be attached to a wall stud using long screw enclosed.

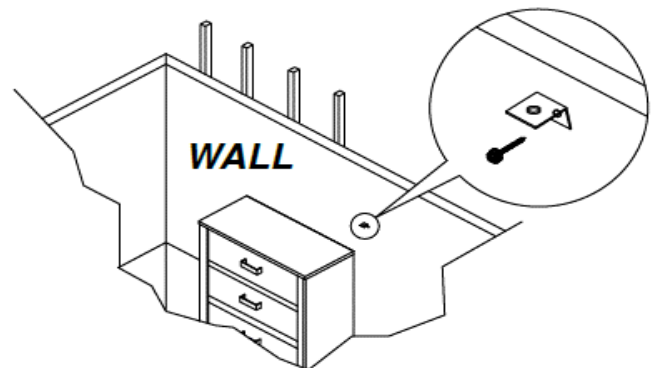
STEP 1

Attach a bracket securely to the back top rail of the furniture using short screw provided, through the smaller hole.



STEP 2

Locate the other bracket on the wall over a plastic wall stud and two inches below the mounting bracket secured to the back of the furniture. Attach the wall stud using the long screw provided, through the smaller hole.



STEP 3

Place the furniture into position so both mounting brackets are vertically in line. Lace the end of the restraint strap through the larger hole in each mounting bracket. Bring both ends together and slide the flat end through the locking end and draw it through until all slack is removed. Confirm that the strap is securely laced and locked.

