

ASSEMBLY INSTRUCTIONS
COASTER FINE FURNITURE



Fine Furniture for every stage of life

2405
BAR TABLE

ASSEMBLY INSTRUCTIONS

ASSEMBLY TIPS:

1. Remove hardware from box and sort by size.
2. Please check to see that all hardware and parts are present prior to start of assembly.
3. Please follow attached instructions in the same sequence as numbered to assure fast & easy assembly.



WARNING!

1. Don't attempt to repair or modify parts that are broken or defective. Please contact the store immediately.
2. This product is for home use only and not intended for commercial establishments.

ASSEMBLY TIME

10 MINUTES

PARTS IDENTIFICATION

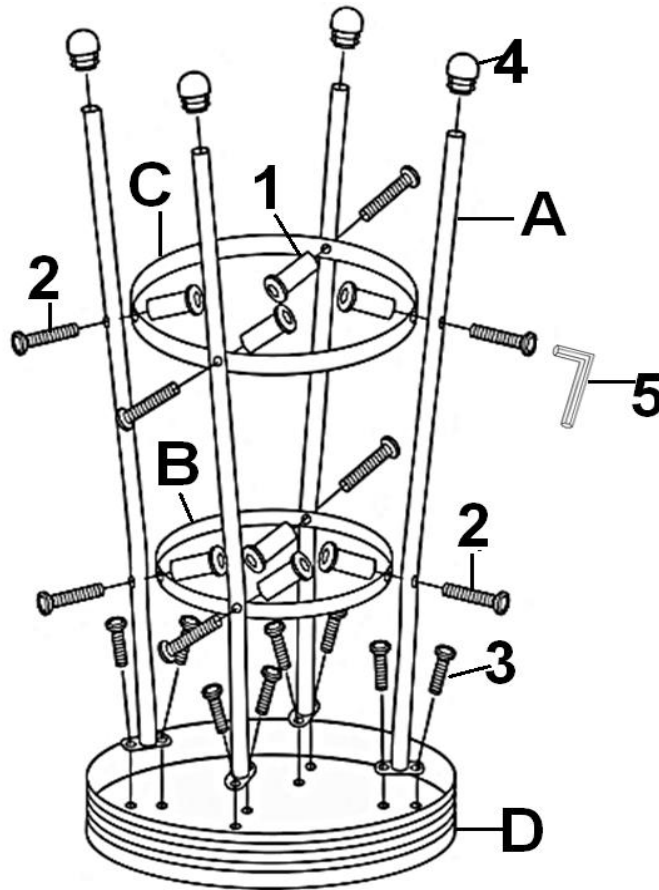
A	LEG		4PCS
B	SMALL STRETCHER RING		1PC
C	LARGE STRETCHER RING		1PC
D	TABLE TOP		1PC

HARDWARE IDENTIFICATION

1	BOLT NUT (1/4")		8PCS
2	BOLT (1/4" x 32mm)		8PCS
3	BOLT (1/4" x 15mm)		8PCS
4	CAP (1")		4PCS
5	WRENCH (4mm)		1PC

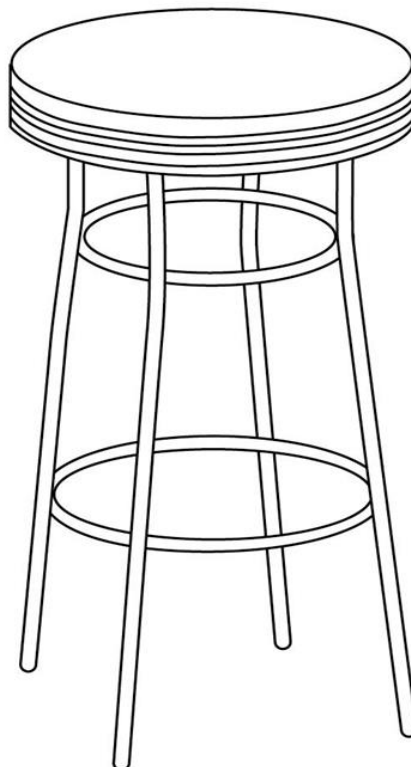
ITEM: **2405**

ASSEMBLY INSTRUCTIONS
STEP 1



STEP 2

COMPLETE



ITEM: **2405**

