

**COASTER**<sup>®</sup>

*Fine Furniture*

**506022**

LOVESEAT

---

**ASSEMBLY INSTRUCTION**

**COASTER FINE FURNITURE**



**[www.coastercompany.com](http://www.coastercompany.com)**

2017/08/10

1 of 3

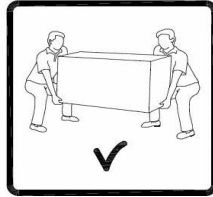
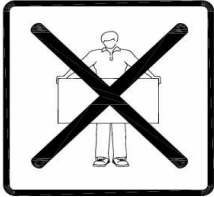
# ASSEMBLY INSTRUCTION

**ASSEMBLY TIPS:**

1. Remove hardware from box and sort by size.
2. Please check to see that all hardware and parts are present prior to start of assembly.
3. Please follow attached instruction in the same sequence as numbered to assure fast & easy assembly.

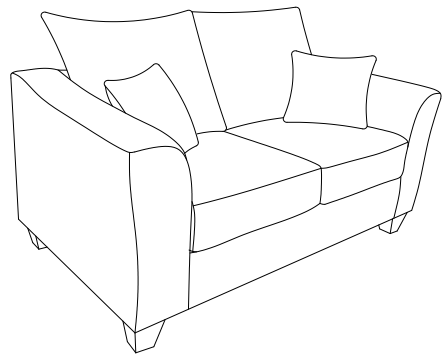
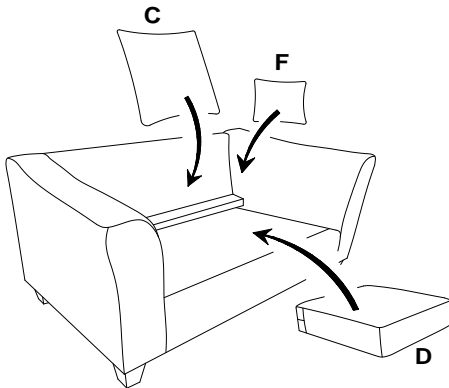
**Warning !**

1. Don't attempt to repair or modify parts that are broken or defective. Please contact the store immediately.
2. This product is for home use only and not intended for commercial establishment.



ASSEMBLY TIME PER UNIT: 2 MINUTES

## PARTS IDENTIFICATION



G LOVE SEAT



1PC

B LEG



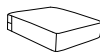
4PCS

C BACK CUSHION



2PCS

D SEAT CUSHION



2PCS

F SMALL PILLOW



2PCS

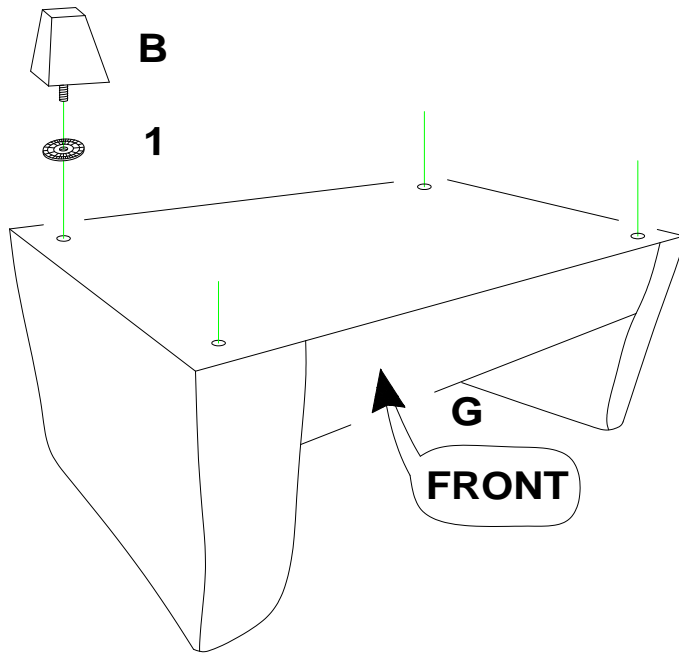
Z HARDWARE PACKAGE			
NO	DESCRIPTION	FIGURE	QTY
1	PLASTIC GASKET 5/16" * 49mm		4PCS

STEP 1 → 2



STEP 1

1		X 4
---	---	-----



STEP 2

