

ASSEMBLY INSTRUCTIONS

COASTER FINE FURNITURE



www.coastercompany.com

ASSEMBLY INSTRUCTIONS

ASSEMBLY TIPS:

1. Remove hardware from box and sort by size .
2. Please check to see that all hardware and parts are present prior to start of assembly.
- 3 Please follow attached instructions in the same sequence as numbered to assure fast & easy assembly.



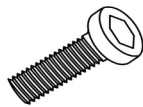


Warning

1. Don't attempt to repair or modify parts that are broken or defective . Please contact the store immediately
- 2.This product is for home use only and not intended for commercial establishment

PARTS IDENTIFICATION

A	TABLE TOP		1PC
B	BASE		1PC

The mirror part provided in this package is not a tempered mirror. Please handle with care. Mirror part may explode.

Z	HARDWARE PACKAGE		
	DESCRIPTION	FIGURE	QTY
1	6*30MM Bolt		4PCS
2	allen key 6*90MM		1PC
3	ø20*2MM Washer		4PCS

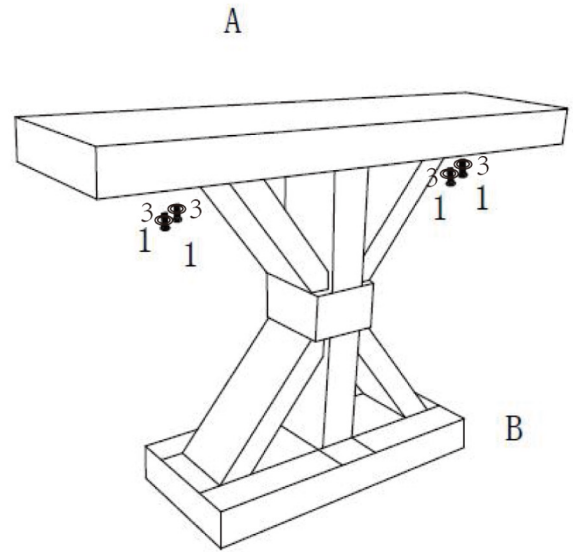
All above hardware pack in located in 950191B1

It needs one person and takes about fifteen minutes to assemble the item.

STEP 1

Align and attach the base (B) to the table top (A)

using bolts (1) and tighten with allen key



STEP 2

CHECK STABILITY OF THE CONSOLE TABLE

Figure 2

