

**ASSEMBLY INSTRUCTION**  
**COASTER FINE FURNITURE**



**[www.coastercompany.com](http://www.coastercompany.com)**

# Assembly Instruction

**ASSEMBLY TIPS:**

1. Remove hardware from box and sort by size.
2. Please check to see that all hardware and parts are present prior start of assembly.
3. Please follow attached instruction in the same sequence as numbered to assure fast & easy assembly.

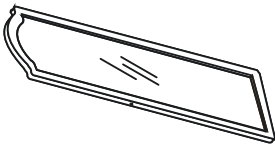
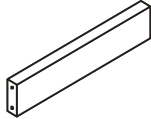
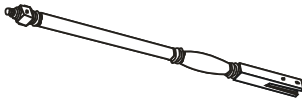
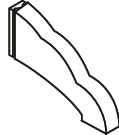



**Warning!**




1. Don't attempt to repair or modify parts that are broken or defective. Please contact the store immediately.
2. This product is for home use only and not intended for commercial establishment.

**ASSEMBLY TIME PER UNIT : 15 MINUTES**

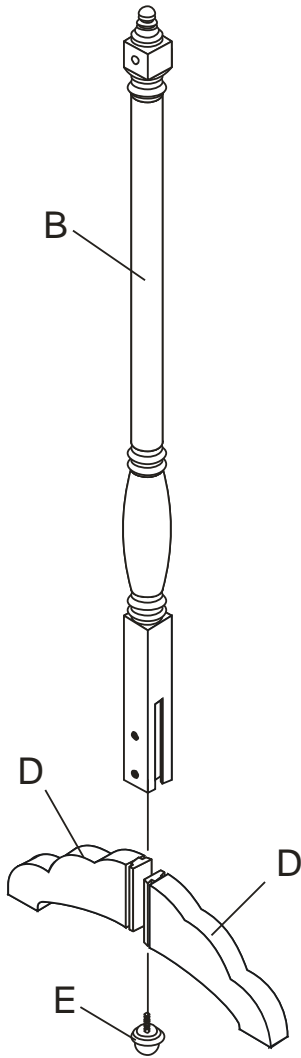
**PARTS IDENTIFICATION**

<p>(A) MIRROR  1 PC</p>	<p>(C) CROSS BRACE  1 PC</p>
<p>(B) POST  2 PCS</p>	<p>(D) LEG  4 PCS</p>
	<p>(E) WOODEN KNOB WITH BOLT  2 PCS</p>

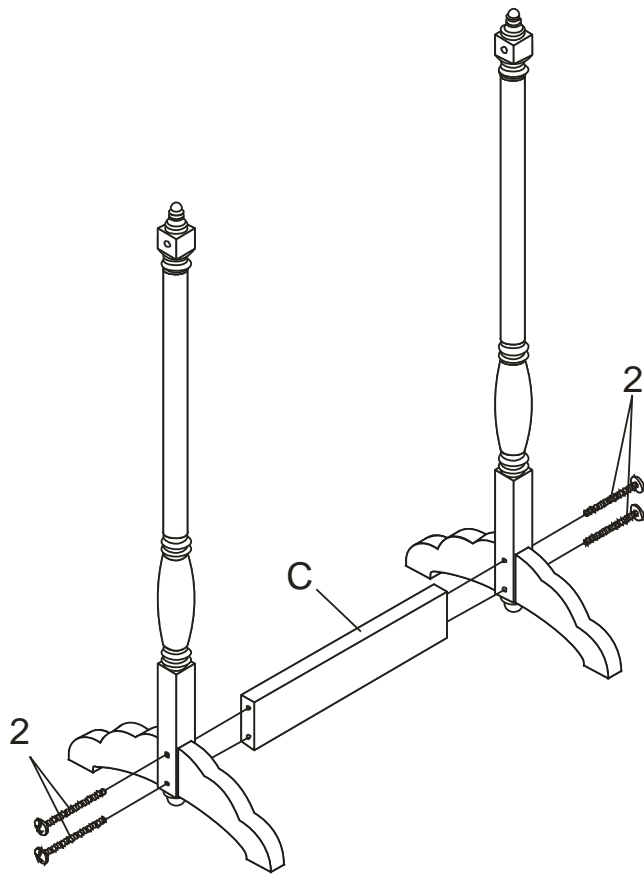
**HARDWARE PACKAGE**

NO	DESCRIPTION	FIGURE	Q' TY
1	<b>BRASS EYEBOLT</b> 5/16"x2-3/4"		2 PCS
2	<b>BOLT</b> 1/4"x2-1/2"		4 PCS
3	<b>WASHER</b> φ 23x φ 8 x1mm		2 PCS

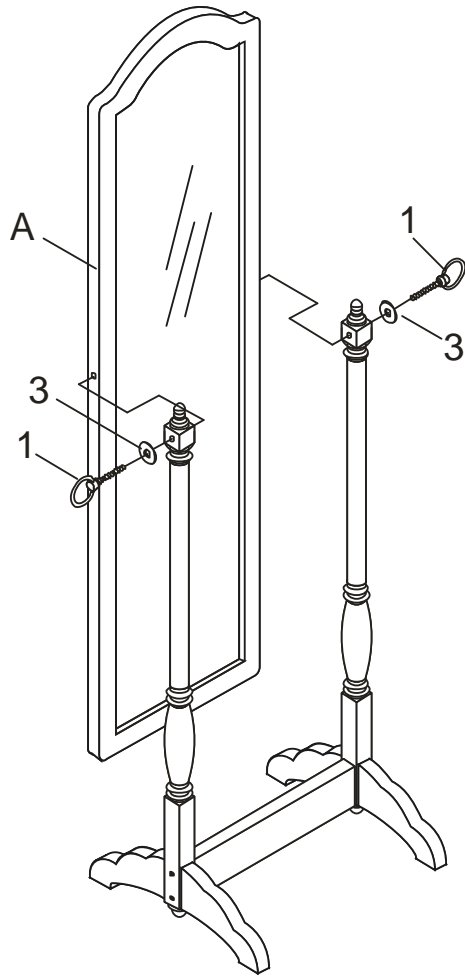
## STEP 1



## STEP 2



## STEP 3



## FINISH

