

COASTER[®]
FINE FURNITURE

107381
DINING TABLE

**DONNY
OSMOND** home[™]
BY DONNY & DEBBIE OSMOND

DINING TABLE

ASSEMBLY INSTRUCTION
COASTER FINE FURNITURE



www.coastercompany.com

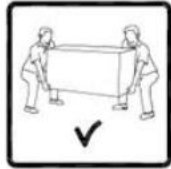
Assembly Instruction

ASSEMBLY TIPS:

- 1.Remove hardware from and sort by size.
- 2.please check to see that all hardware and parts are present prior to start of assembly.
- 3.please follow attached instructions in the same aequence as numbered to assure fast & easy assembly

△ Warning !


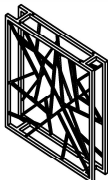
- 1.Don't attempt to repair or modify parts that are broken or defective.please contact the store immediately
- 2.This product is for home use only and not intended for commercial establishment.








ASSEMBLY TIME PER UNIT: 10 MINUTES

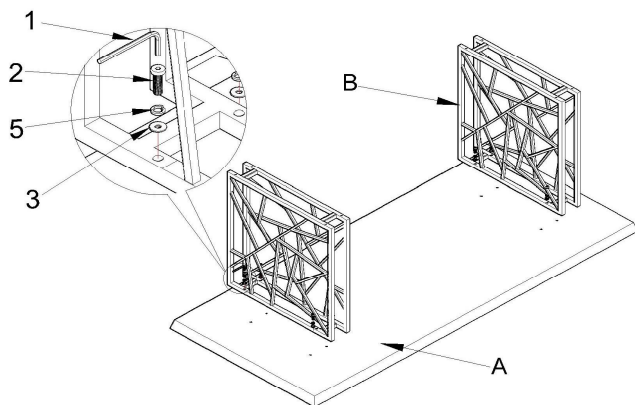
PARTS IDENTIFICATICON:

HARDWARE IDENTIFICATICON:

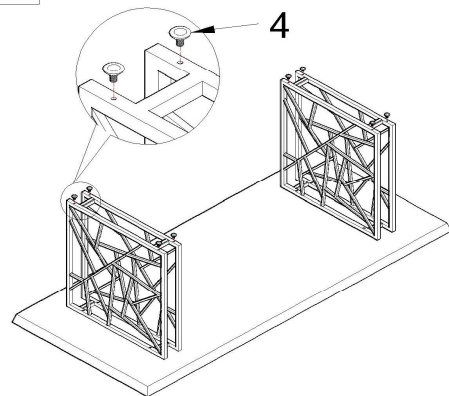
A	TABLE TOP		1PC
B	LEG		2PCS

ITEM	DESCRIPTION	SKETCH	QTY
1	ALLEN KEY	 4MM	1PC
2	ALLEN SCREW	 M8*35	8PCS
3	FLAT WASHER	 Ø8*20*1.5	8PCS
4	LEVELER	 Φ20*7*M6*13	8PCS
5	SPRING WASHER	 Ø8.5*1.5	8PCS

STEP: 1



STEP: 2



FINISH:

